

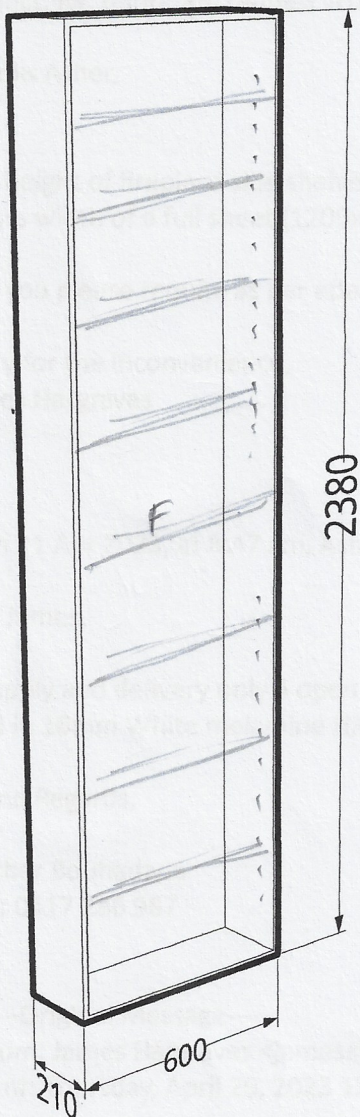
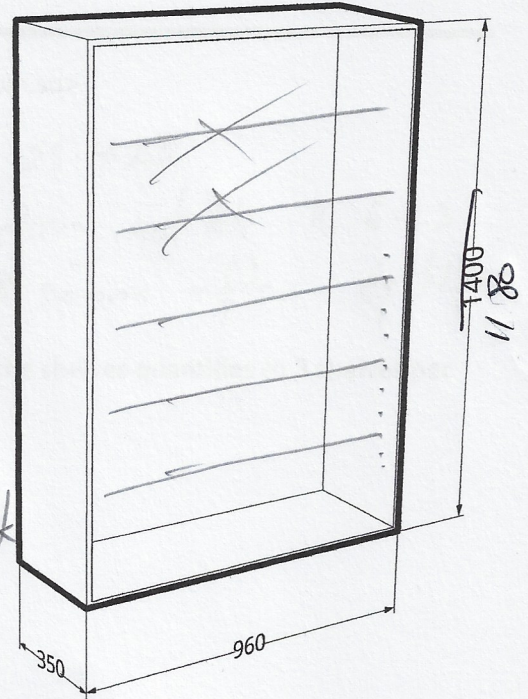
FirePlace Side Bookshelves;

Shelves: 5 shelves per unit

including Fixed Middle Shelf if required for structural bracing

FYI: Units are elevated & fixed to walls at rear & on both sides (do not provide holes for mounting units to walls. This will be done on installation by customer)

shelves sum setback



Wall Mounted Bookshelf;

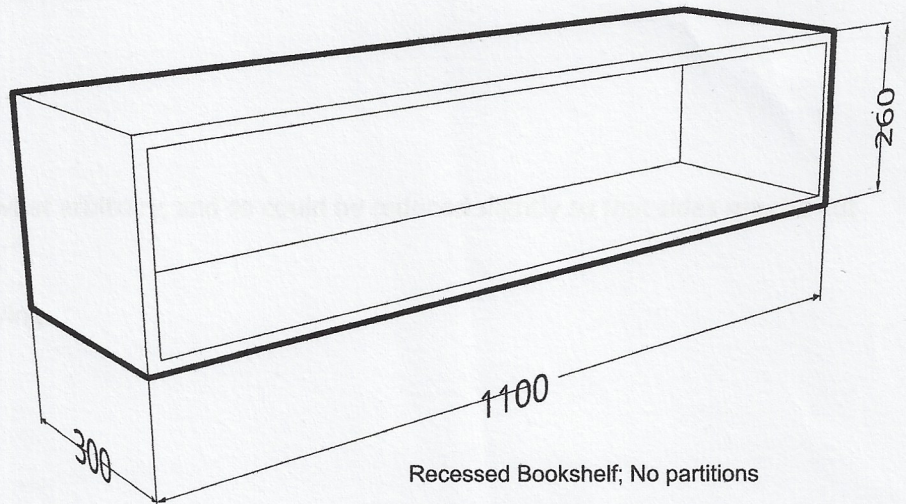
Shelves: 8

sum setback

including Fixed Middle Shelf or if necessary, 2x fixed shelves

FYI: to be fixed to walls at rear & left side (facing unit)

(do not provide holes for mounting units to walls. This will be done on installation by customer)



Recessed Bookshelf; No partitions

FYI: Units recessed into timber frame wall & fixed on all sides with plaster surrounds. (do not provide holes for mounting units to walls. This will be done on installation by customer)

16MM MELAMINE BOARD: WHITE