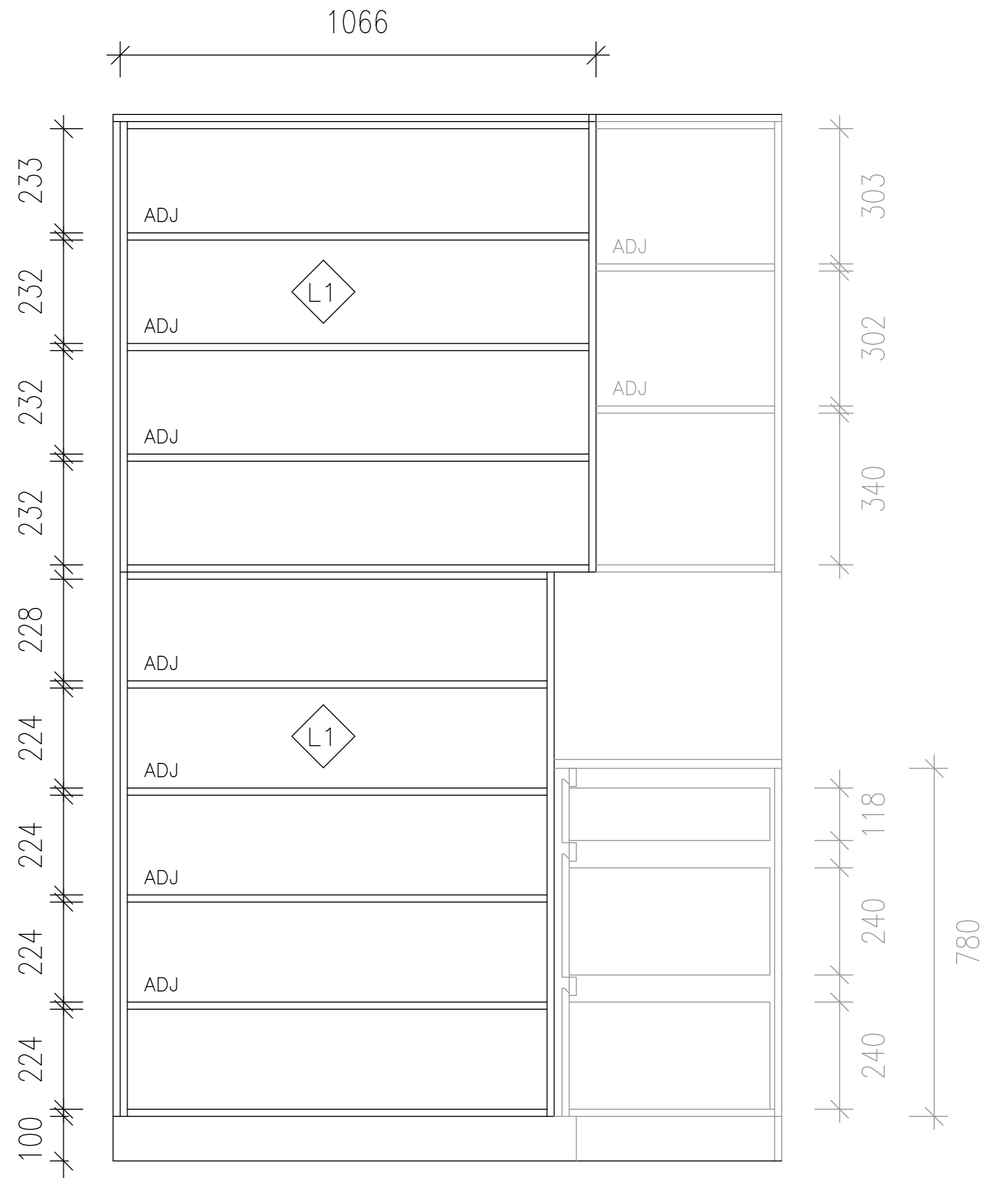
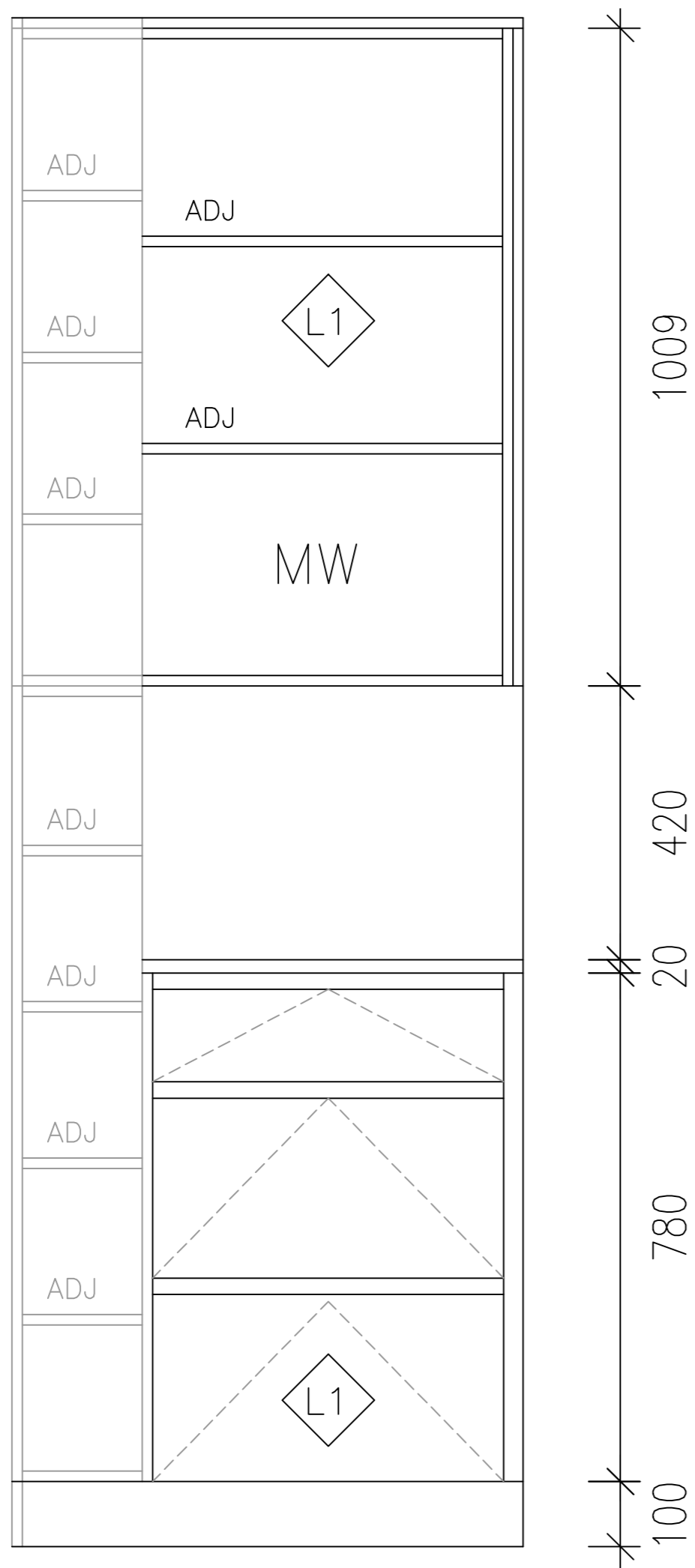


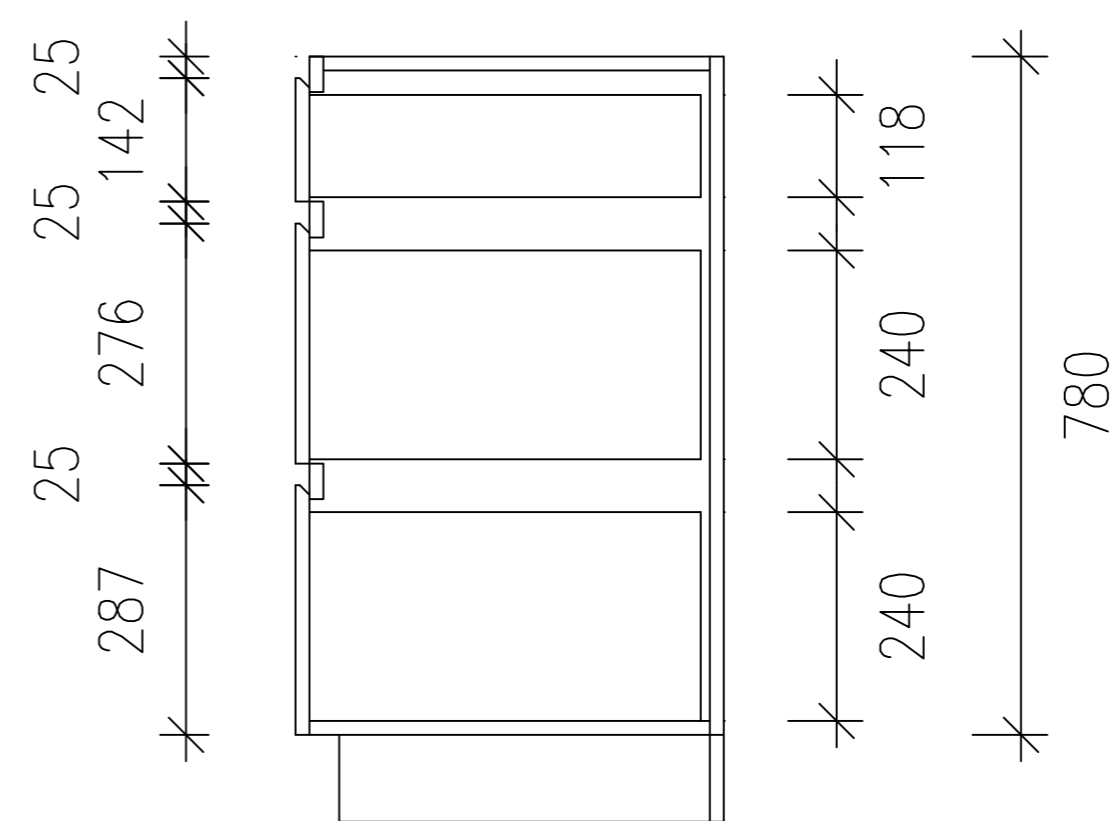
PLAN VIEW



ELEVATION A



ELEVATION B



# FINISHES

 16mm WHITE MEL

## JO'S MAKEOVERS

PROJECT: NEPEAN HWY BONBEACH

Drawing Title : PANTRY

Date: 07/05/2023

Drawing No. A1

Revision : Rev 0

Drawn : AC

PLANS INSPECTED AND APPROVED FOR CONSTRUCTION

NAME \_\_\_\_\_

SIGNED \_\_\_\_\_

DATED / /