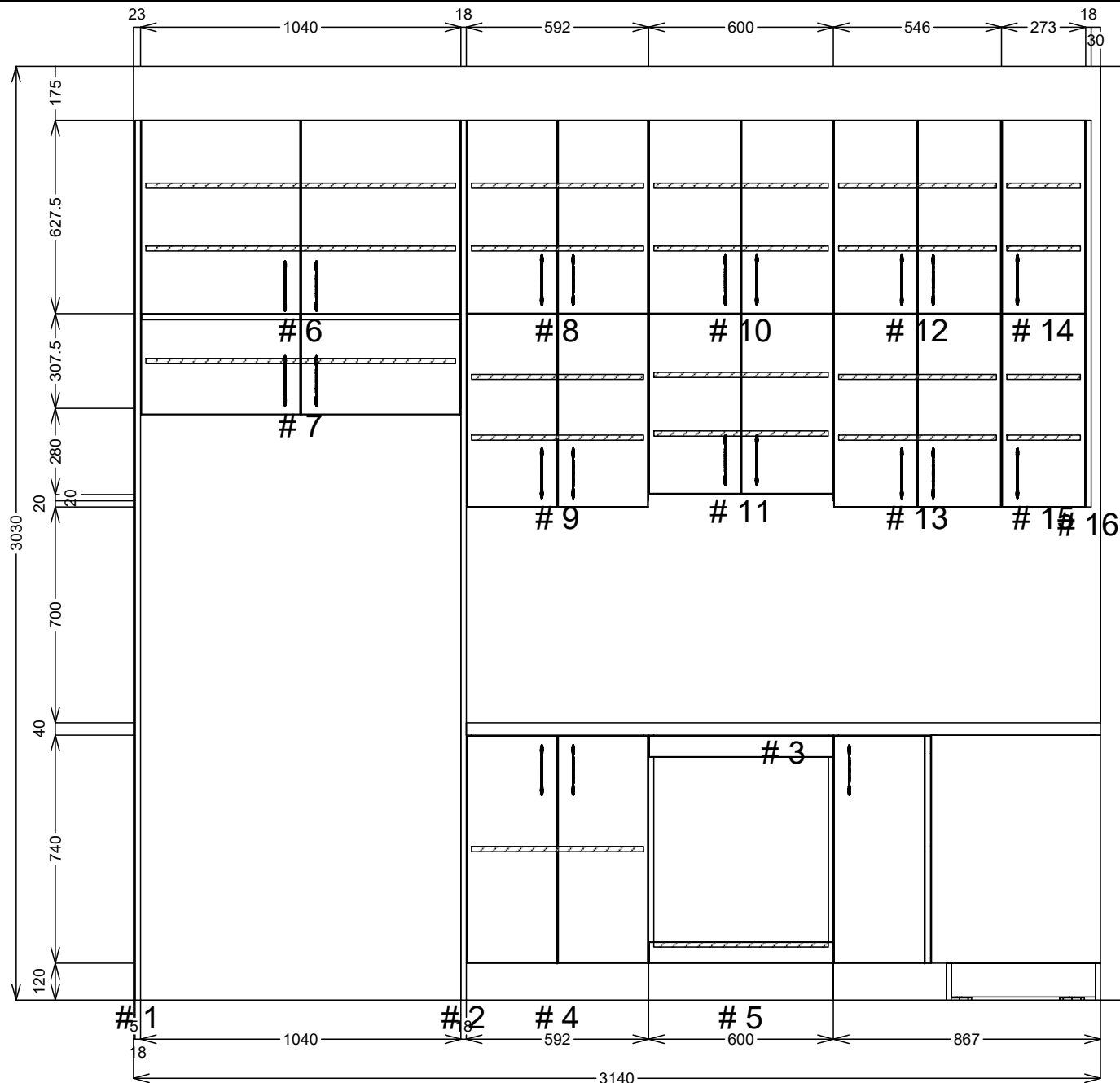
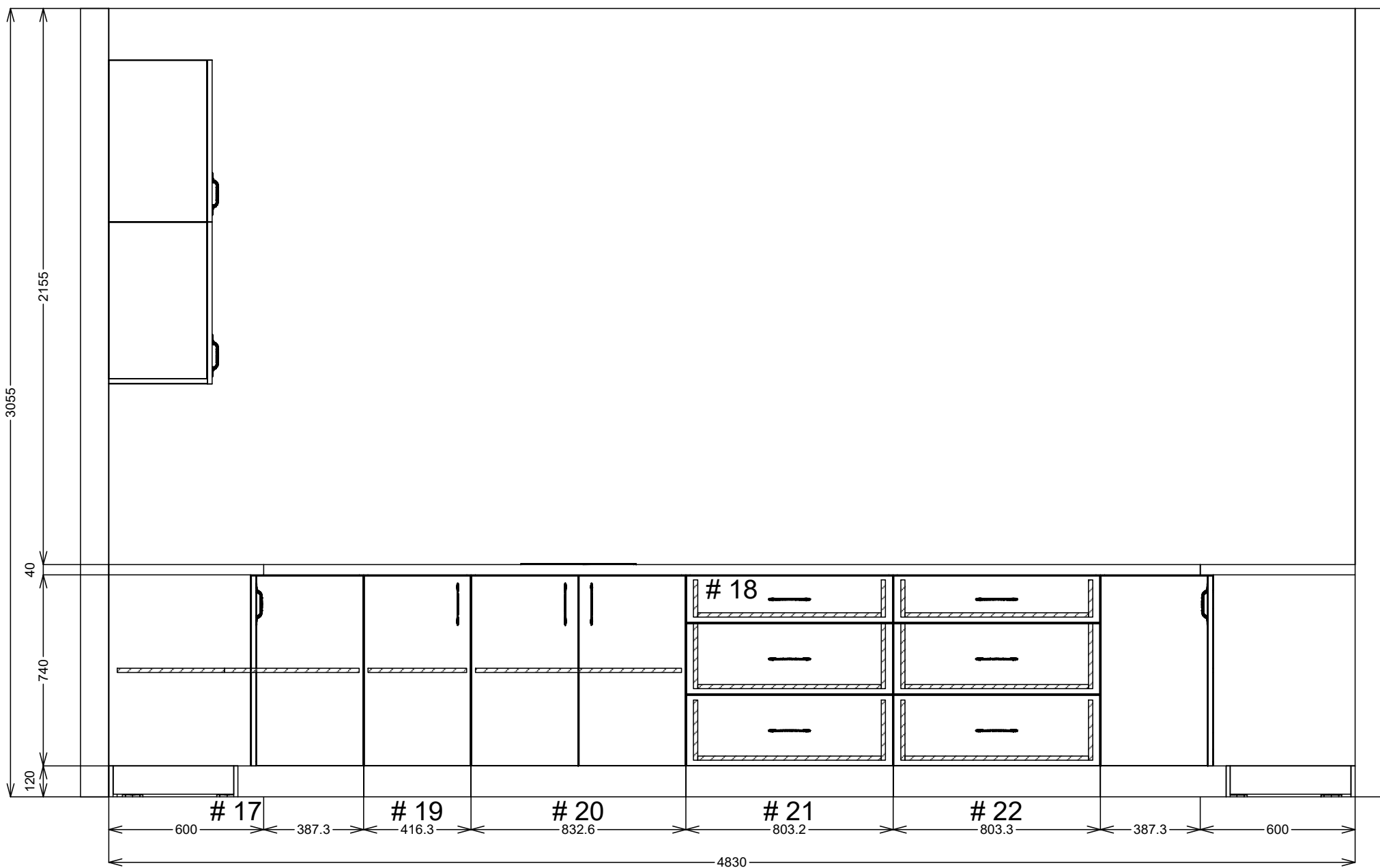


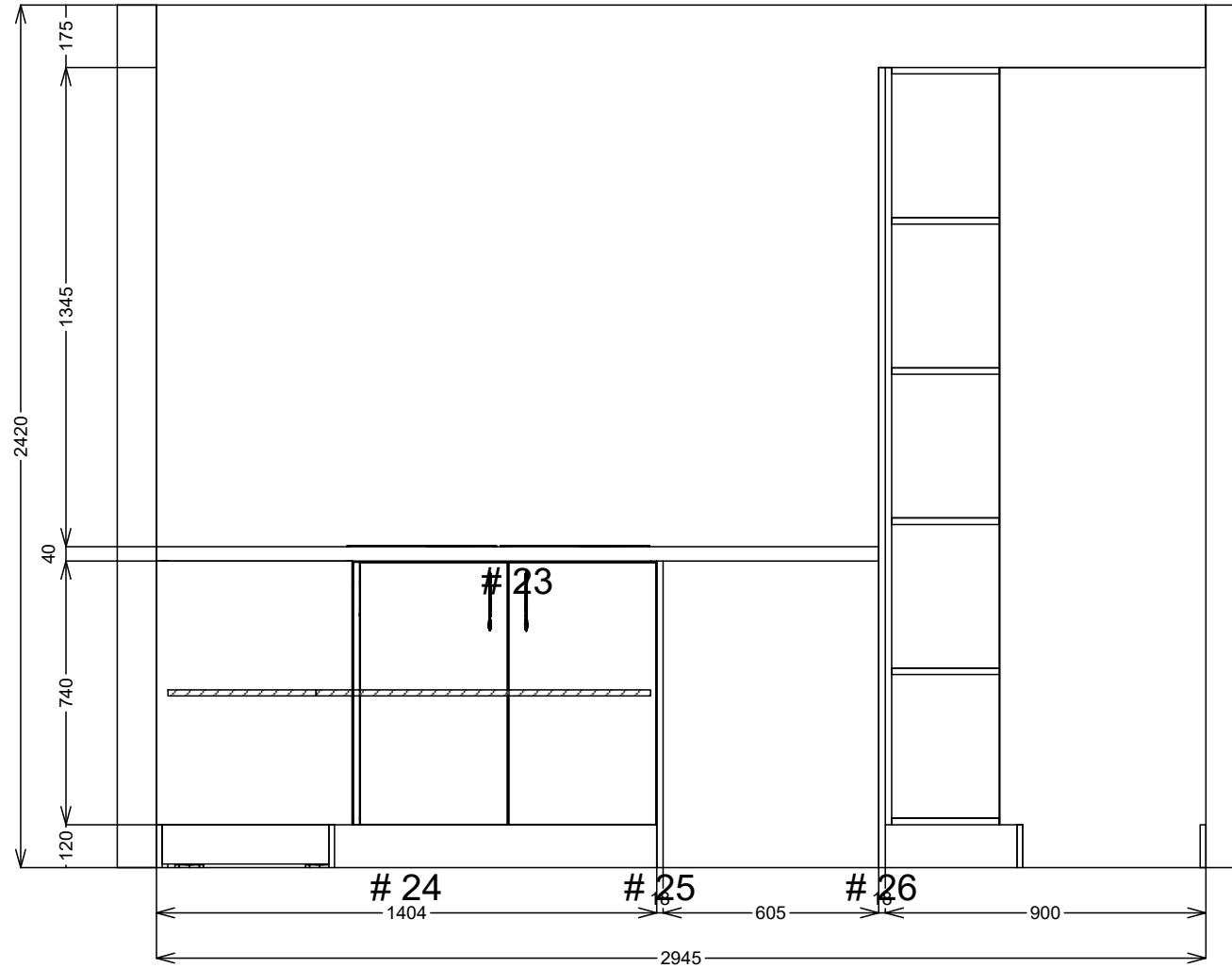
SJ Custom Kitchens	Phone: 0432 101 986	Job #: Job	Site Contact: kaylean	Date: 20/05/23
	Email: sjcustomkitchens@hotmail.com	Job Name: Default	Site Phone:	Drawn By:
	Web: www.sjcustomkitchens.com	Room #:	Site Address: 10 stanley st frankston	Drawing #: 1
		Room Name:	City: frankston State: Victoria.	Scale: NTS



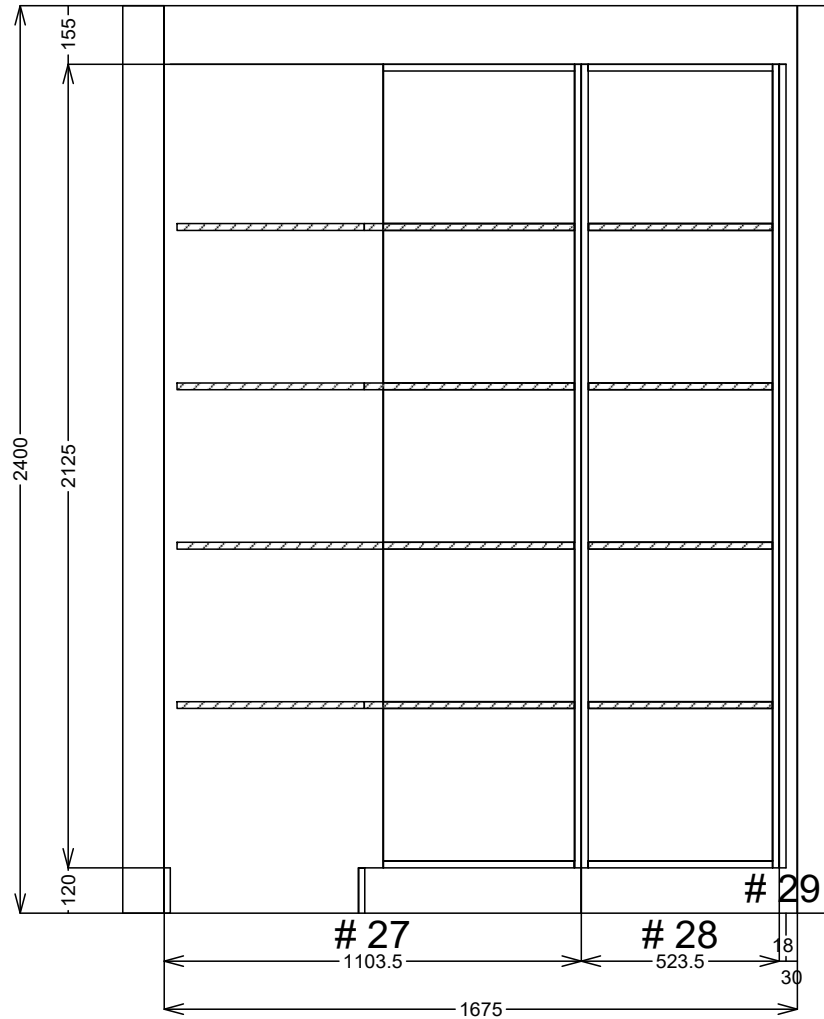
SJ Custom Kitchens	Phone: 0432 101 986	Job #: Job	Site Contact: kaylean	Date: 20/05/23
	Email: sjcustomkitchens@hotmail.com	Job Name: Default	Site Phone:	Drawn By:
	Web: www.sjcustomkitchens.com	Room #:	Site Address: 10 stanley st frankston	Drawing #: 2
		Room Name:	City: frankston State: Victoria.	Scale: NTS



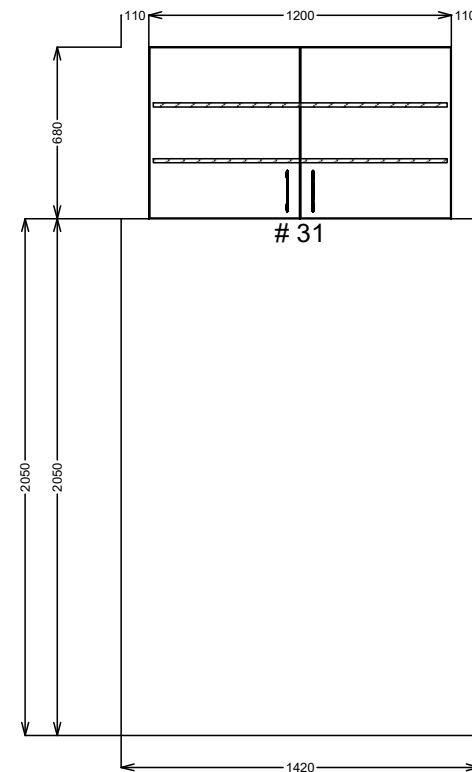
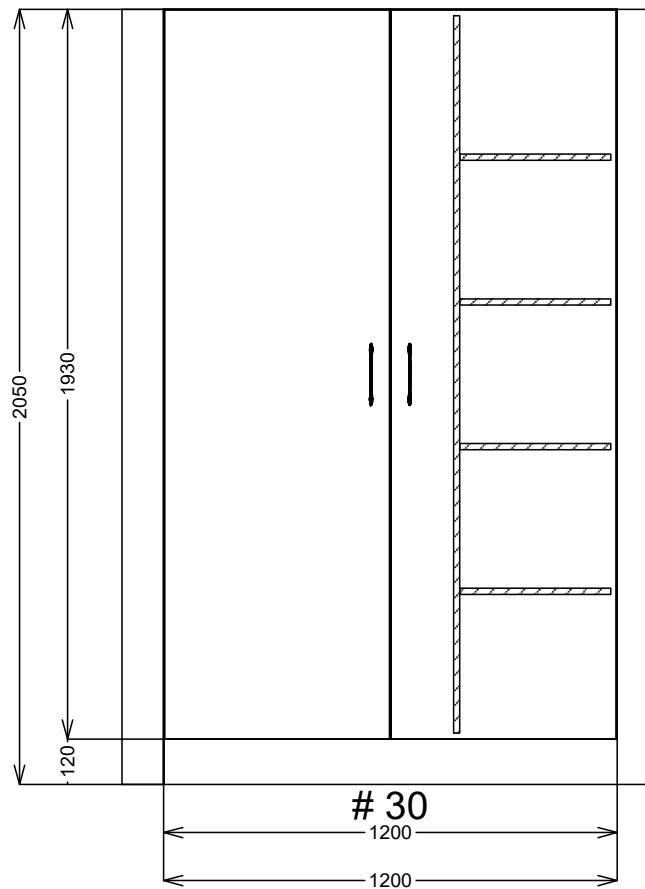
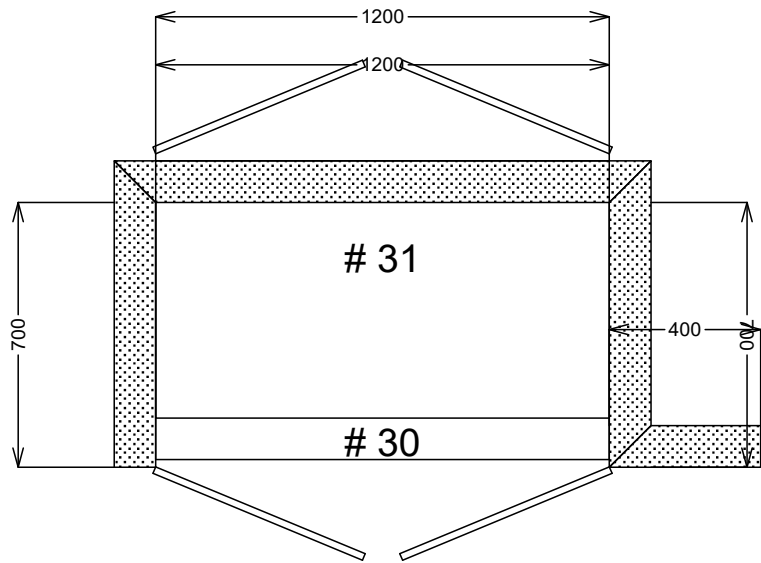
SJ Custom Kitchens	Phone: 0432 101 986	Job #: Job	Site Contact: kaylean	Date: 20/05/23
	Email: sjcustomkitchens@hotmail.com	Job Name: Default	Site Phone:	Drawn By:
	Web: www.sjcustomkitchens.com	Room #:	Site Address: 10 stanley st frankston	Drawing #: 3
		Room Name:	City: frankston State: Victoria.	Scale: NTS



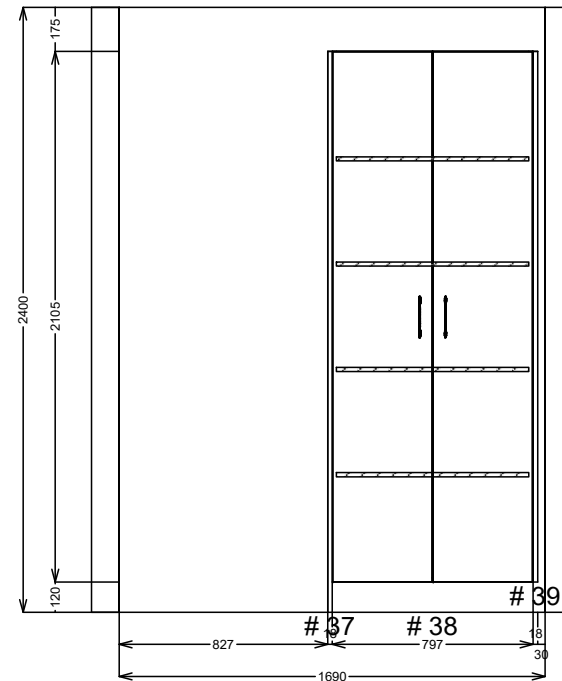
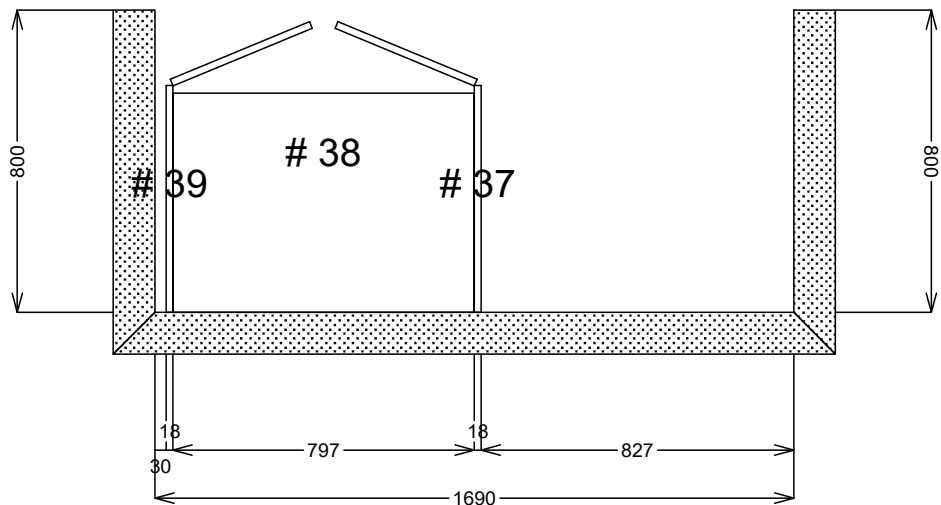
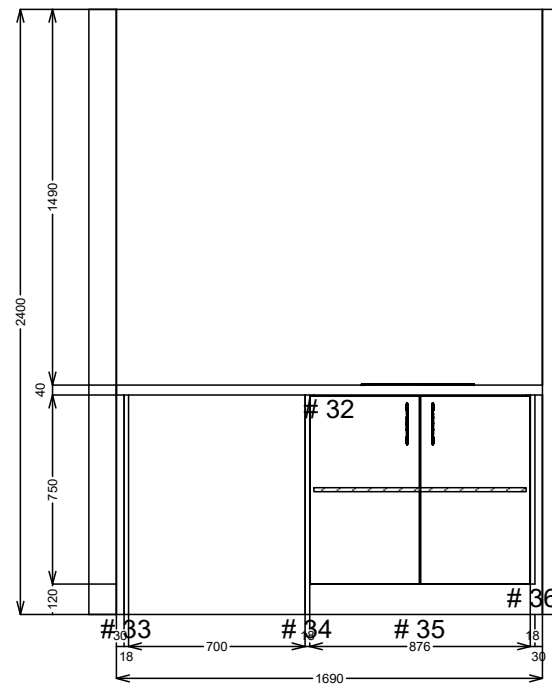
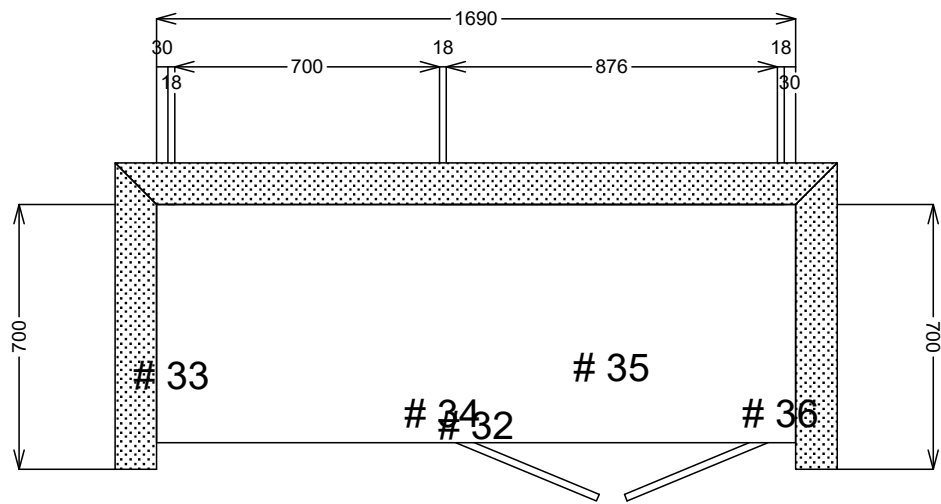
SJ Custom Kitchens	Phone: 0432 101 986	Job #: Job	Site Contact: kaylean	Date: 20/05/23
	Email: sjcustomkitchens@hotmail.com	Job Name: Default	Site Phone:	Drawn By:
	Web: www.sjcustomkitchens.com	Room #:	Site Address: 10 stanley st frankston	Drawing #: 4
		Room Name:	City: frankston State: Victoria.	Scale: NTS



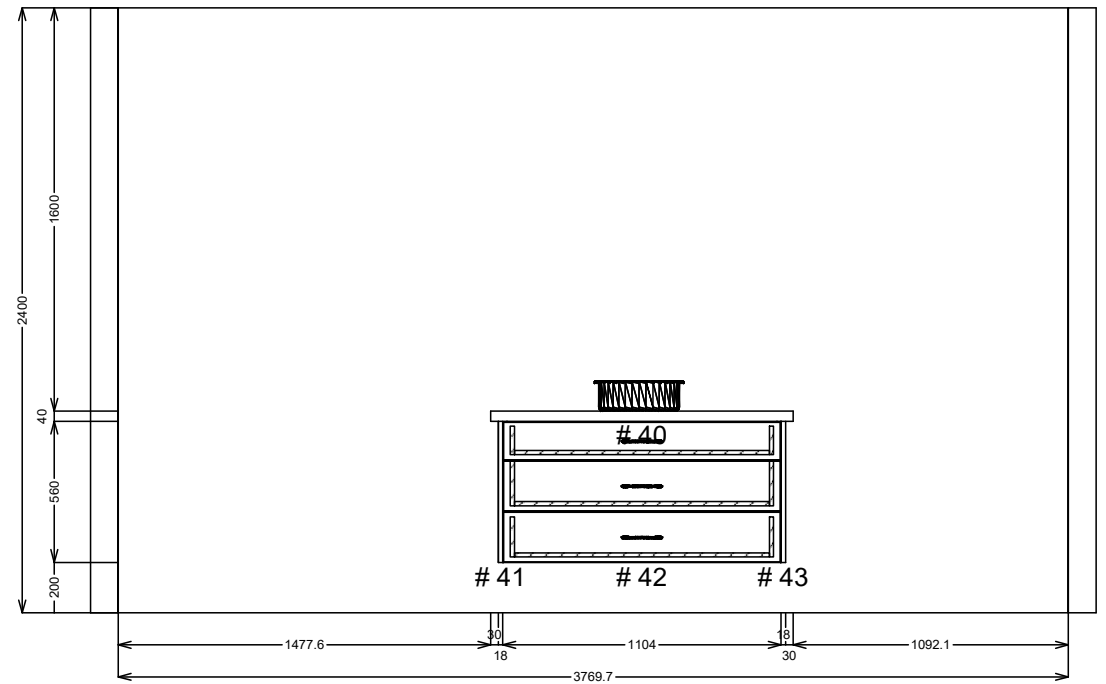
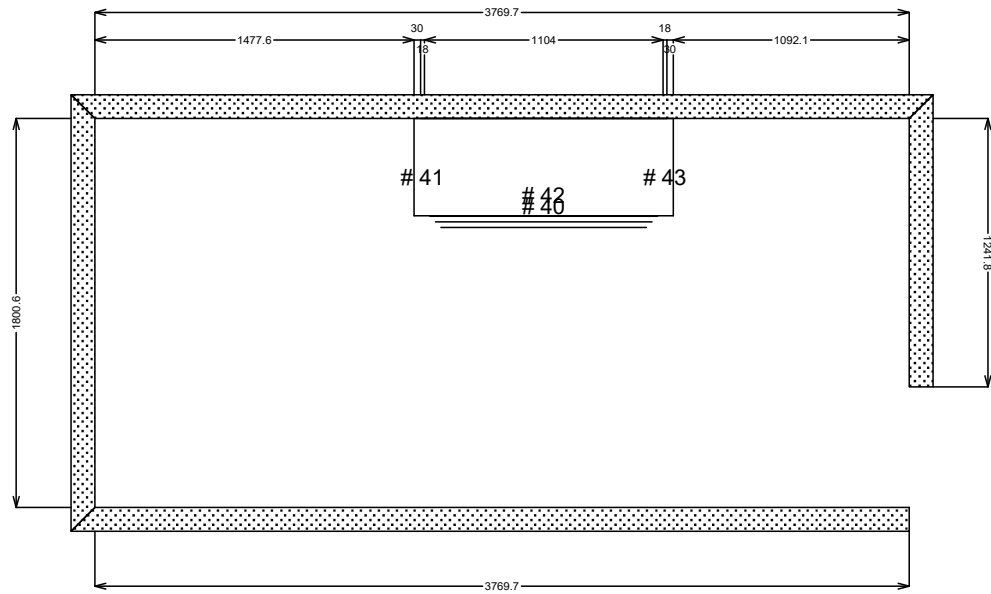
SJ Custom Kitchens	Phone: 0432 101 986	Job #: Job	Site Contact: kaylean	Date: 20/05/23
	Email: sjcustomkitchens@hotmail.com	Job Name: Default	Site Phone:	Drawn By:
	Web: www.sjcustomkitchens.com	Room #:	Site Address: 10 stanley st frankston	Drawing #: 5
		Room Name:	City: frankston State: Victoria.	Scale: NTS



SJ Custom Kitchens	Phone: 0432 101 986	Job #: Job	Site Contact: kaylean	Date: 20/05/23
	Email: sjcustomkitchens@hotmail.com	Job Name: Default	Site Phone:	Drawn By:
	Web: www.sjcustomkitchens.com	Room #:	Site Address: 10 stanley st frankston	Drawing #: 6
		Room Name:	City: frankston State: Victoria.	Scale: NTS



SJ Custom Kitchens	Phone: 0432 101 986	Job #: Job	Site Contact: kaylean	Date: 20/05/23
	Email: sjcustomkitchens@hotmail.com	Job Name: Default	Site Phone:	Drawn By:
	Web: www.sjcustomkitchens.com	Room #:	Site Address: 10 stanley st frankston	Drawing #: 7
		Room Name:	City: frankston State: Victoria.	Scale: NTS



SJ Custom Kitchens	Phone: 0432 101 986	Job #: Job	Site Contact: kaylean	Date: 20/05/23
	Email: sjcustomkitchens@hotmail.com	Job Name: Default	Site Phone:	Drawn By:
	Web: www.sjcustomkitchens.com	Room #:	Site Address: 10 stanley st frankston	Drawing #: 8
		Room Name:	City: frankston State: Victoria.	Scale: NTS