

Date of order: **27/05/2023**  
 Order placed by: **Uplife Kitchen Centre Pty Ltd**  
 Company address: **U36, 23-35 Bunney Road, Oakleigh South**  
 Phone:  
 Contact person: **Man 0405 291 752**  
 Email (for contact): [sales@uplifekitchens.com.au](mailto:sales@uplifekitchens.com.au)  
 Email (for tax invoices): [accounts@uplifekitchens.com.au](mailto:accounts@uplifekitchens.com.au)

Order number: **UKC-824**  
 Room number: **cabinets**

Lead time: **One week**  
 Items ready by: **3/06/2023**

Important notice:

# 2320 (Normal with handles)

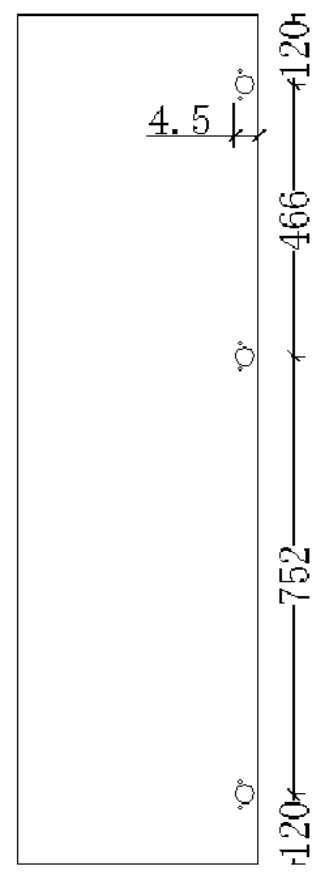
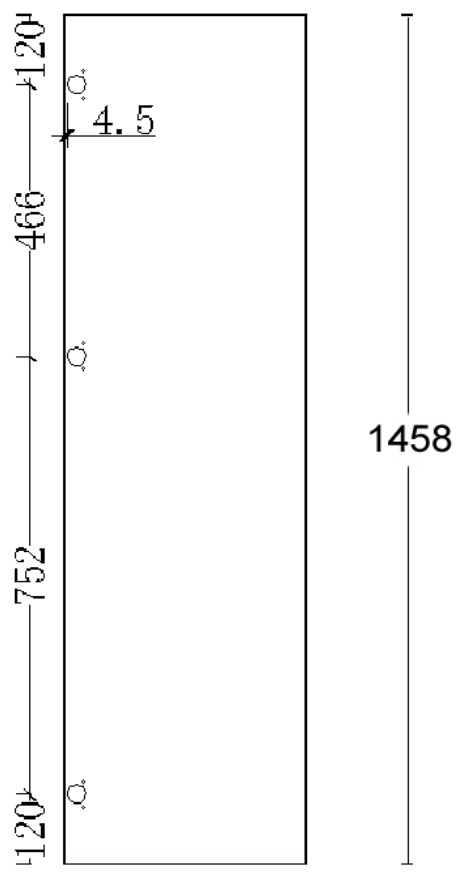
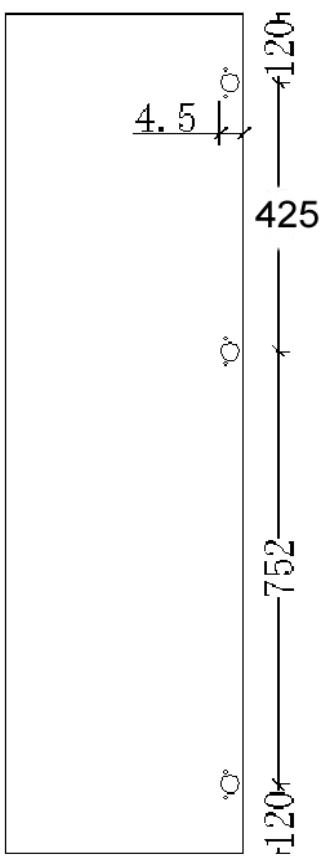
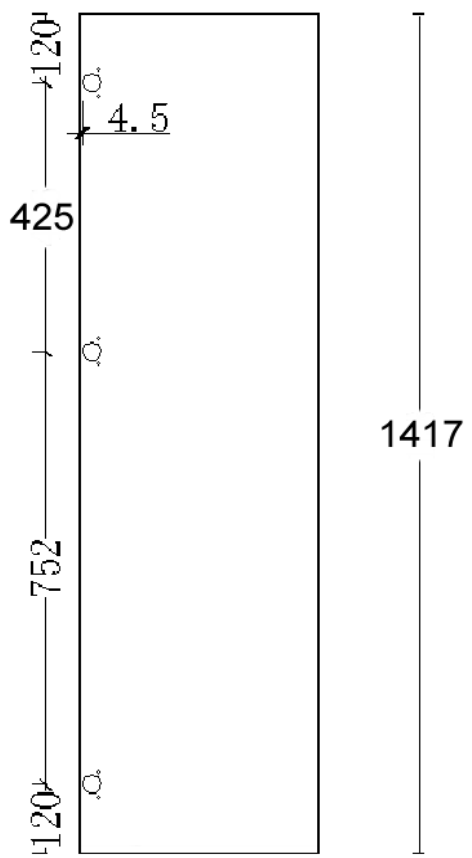
Please pre-drill hinge holes on both side boards of the cabinet (regardless single door or double doors)

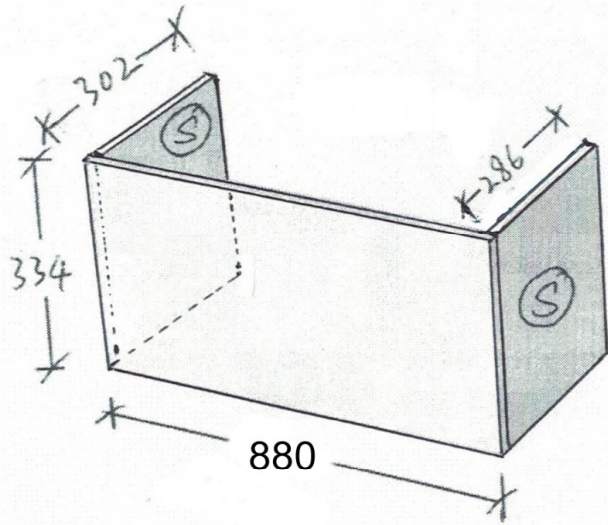
Code	Type	W	H	D	Hinge position	Shelf	Remark 2	Remark 3	QTY
P900S	Pantry cabinet	900	2180	680	Top door H=1458, hinges 120/1/120 (refer to image below for hinge hole positions). Bottom door H=718, hinges 100/100.	1 fixed shelf at between the top & bottom doors, 4 adjustable shelves	Both side boards need 3 side edging (1L2S)	Back panel moves forward for 16mm	2
FT800	Fridge cabinet	800	480	400	Door H=498, 2 hinges 100/100, door bottom overhanging 18	NO SHELF	0	0	1
FT400	Fridge cabinet	400	480	400	Door H=498, 2 hinges 100/100, door bottom overhanging 18	NO SHELF	0	0	1
F350	Base cabinet	350	720	560	Door H=718, hinges 100/100	1 adjustable shelf	Front rail height: 60mm only	0	1
O900	Oven cabinet	900	720	560	Colour panel: 2pcs x 60mm on top & bottom (NO HINGE)	Provide 4 x support bars (H46 x W526)	0	0	1
C920	Base corner cabinet	920 x 920	720	560	Door H=718, hinges 100/100	1 adjustable shelf	0	Back panel moves forward for 16mm	1
F900	Sink cabinet	900	720	560	Door H=718, hinges 100/100	1 adjustable shelf	Front rail height: 60mm only	0	1
BK600	Island back cabinet	600	720	560	Door H=718, hinges 100/100	1 adjustable shelf	Front rail height: 60mm only	0	1
F700	Base cabinet	700	720	560	Door H=718, hinges 100/100	1 adjustable shelf	Front rail height: 60mm only	0	1
D800	Drawer cabinet	800	720	560	NO HINGE	With drawer panels (DTC 1xM,2xD)	0	0	1

<b>H850</b>	Wall cabinet	850	700	328	Door H=718, hinges 100/100, door bottom overhanging 18	2 adjustable shelves	0	0	1
<b>H320</b>	Wall cabinet	320	700	328	Door H=718, hinges 100/100, door bottom overhanging 18	2 adjustable shelves	0	0	1
<b>H1000</b>	Undermount rangehood cabinet	1000	700	328	Door H=718, hinges 100/100, door bottom overhanging 18	Refer to image below to provide the fixed shelf and rangehood boxes.	Cut-out size on the bottom panel: W836 x D264 (Leave 20mm to the front)	0	1
<b>F800</b>	Sink cabinet	800	720	560	Door H=718, hinges 100/100	1 adjustable shelf	Front rail height: 60mm only	0	1
<b>F300</b>	Base cabinet	300	720	560	Door H=718, hinges 100/100	1 adjustable shelf	Front rail height: 60mm only	0	1
<b>P600</b>	Above bench cabinet	600	1420	580	Door H=1417, hinges 120/1/120 (refer to image below for hinge hole positions).	3 adjustable shelves	0	Back panel moves forward for 16mm	1
<b>H886</b>	Wall cabinet	886	800	320	Door H=818, hinges 100/100, door bottom overhanging 18	2 adjustable shelves	0	0	2
	Melamine panel	560	870				Edging: 1L 1S		1

## Use the premade kickers

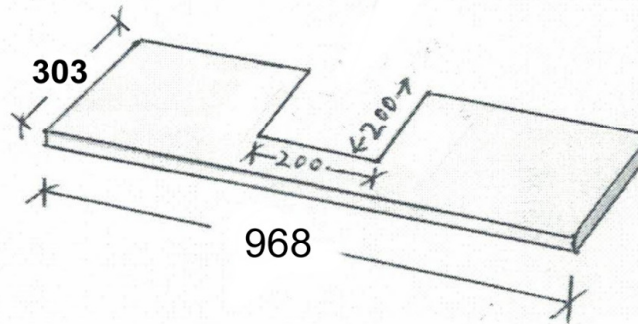
Code	Type	W	H	D	Hinge position	Shelf	Remark 2	Remark 3	QTY
	Kitchen long kicker	2400	145						10
	Laundry long kicker	2400	155						2
	Short kicker	568	120						4
	Short kicker	448	120						20



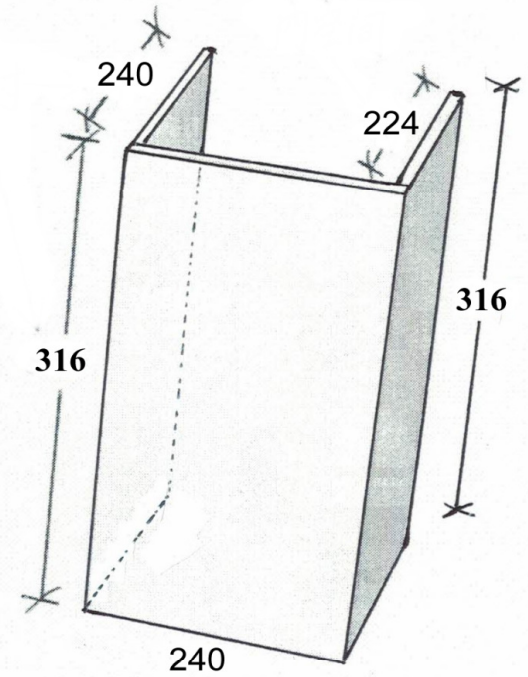


**Removable**

Set pre drill holes on the carcass at 359mm from the bottom of the cabinet to the centre of the pre drill holes  
(It is 367mm from the bottom of the cabinet to the top of this fixed shelf)



**Fixed shelf**



**Removable**