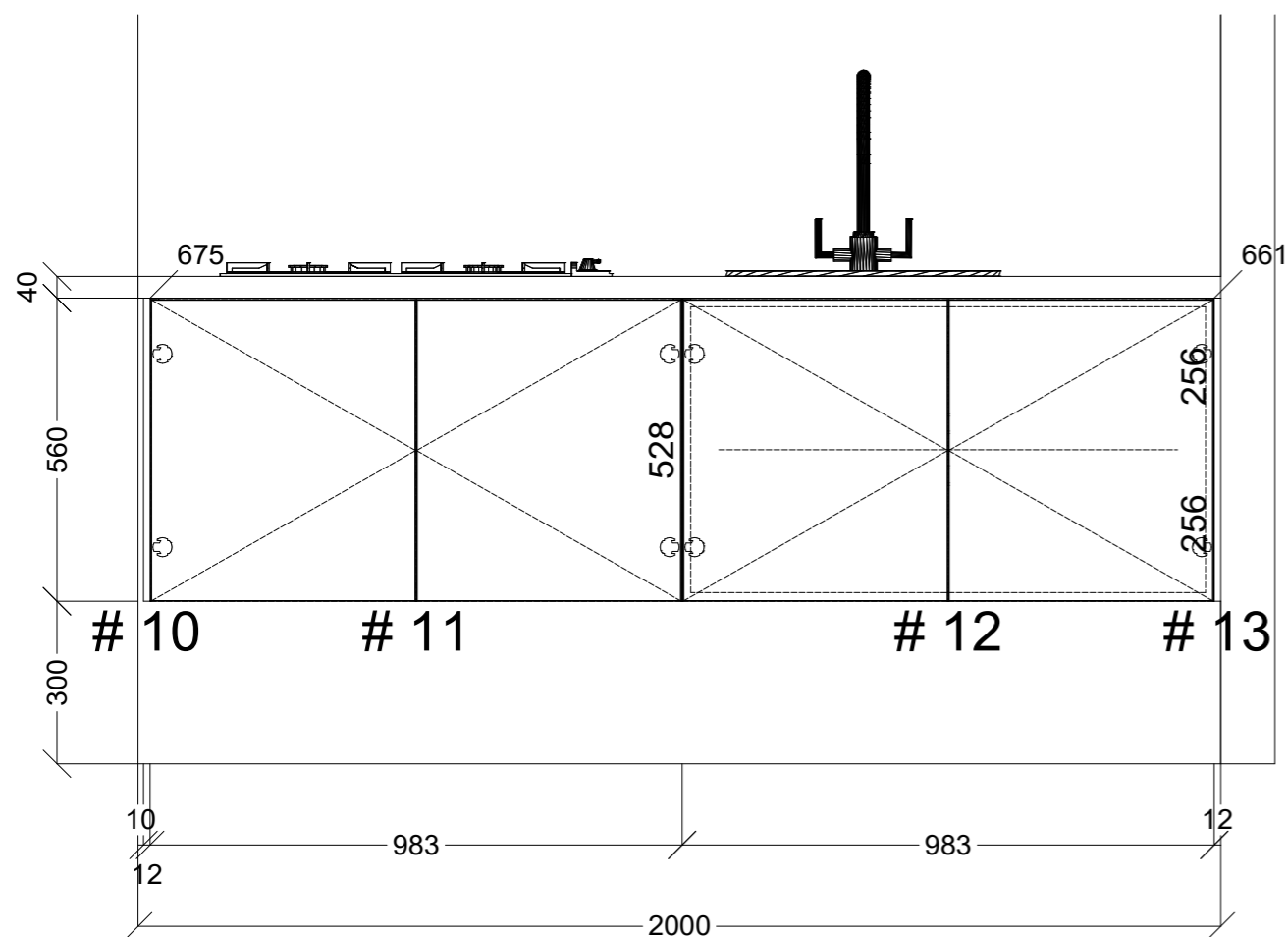
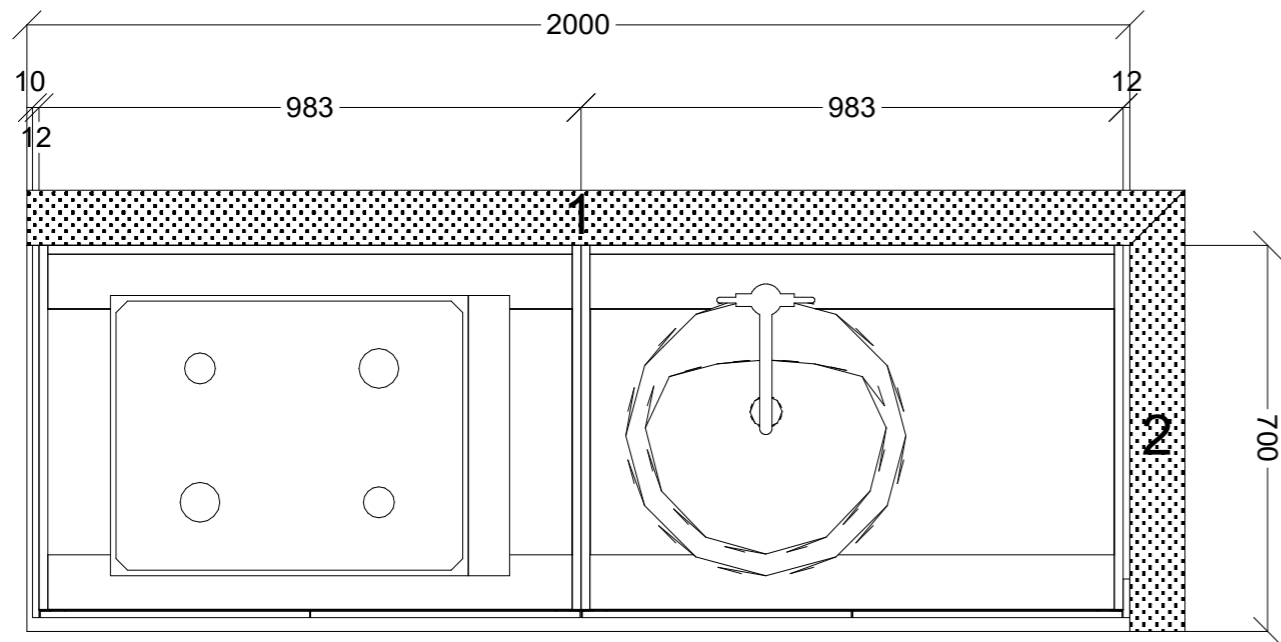

	Client: MATT AND EMILY BENNET		Door and panels style/colour: 90' SHAKER 2PAC PORTER DARK		Sheet 1 of 2
	Room: BAR	Benchtop Colour: 40MM STONE TBA		Drawer slides: N/A	Carcass: BLACK HMR
	Date: 07/07/23	Address: LAYTON CRT		Handles Item No: BY CUSTOMER	Approved by: <i>EMILY BENNETT</i>



	Client: MATT AND EMILY BENNET		Door and panels style/colour: 12MM COMPACT LAMINATE		Sheet 2 of 2
	Room: BBQ	Benchtop Colour: 40MM STONE TBA		Drawer slides: N/A	Carcass: BLACK PVC
	Date: 07/07/23	Address: LAYTON CRT		Handles Item No: BY CUSTOMER	Approved by: <i>EMILY BENNETT</i>