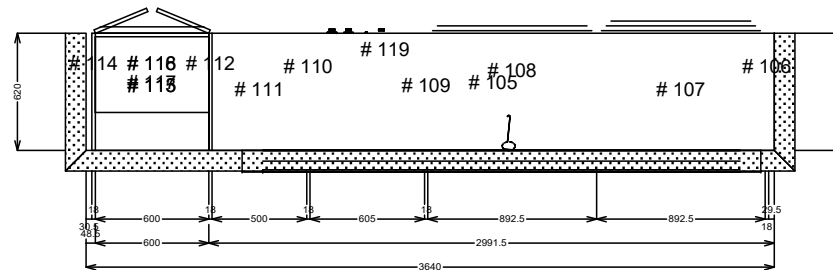
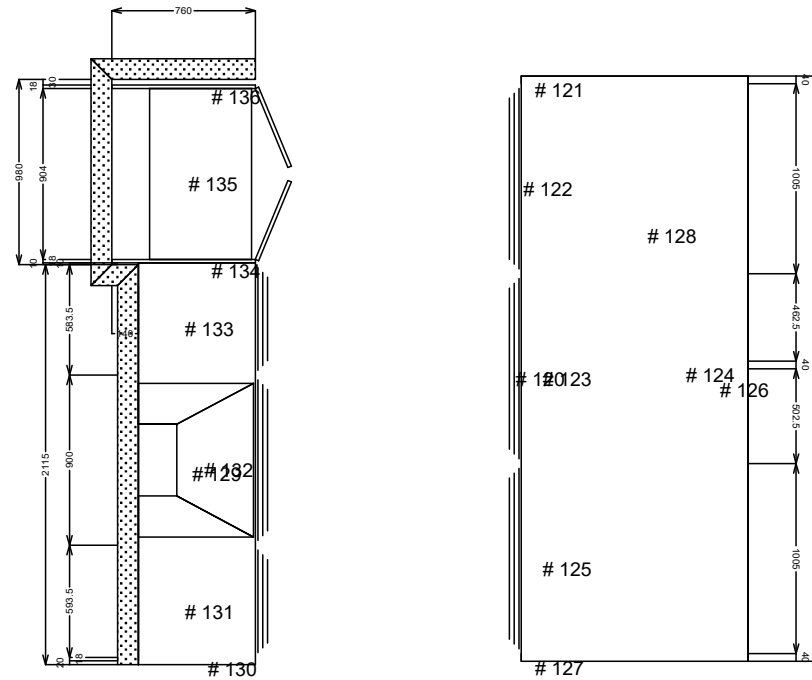
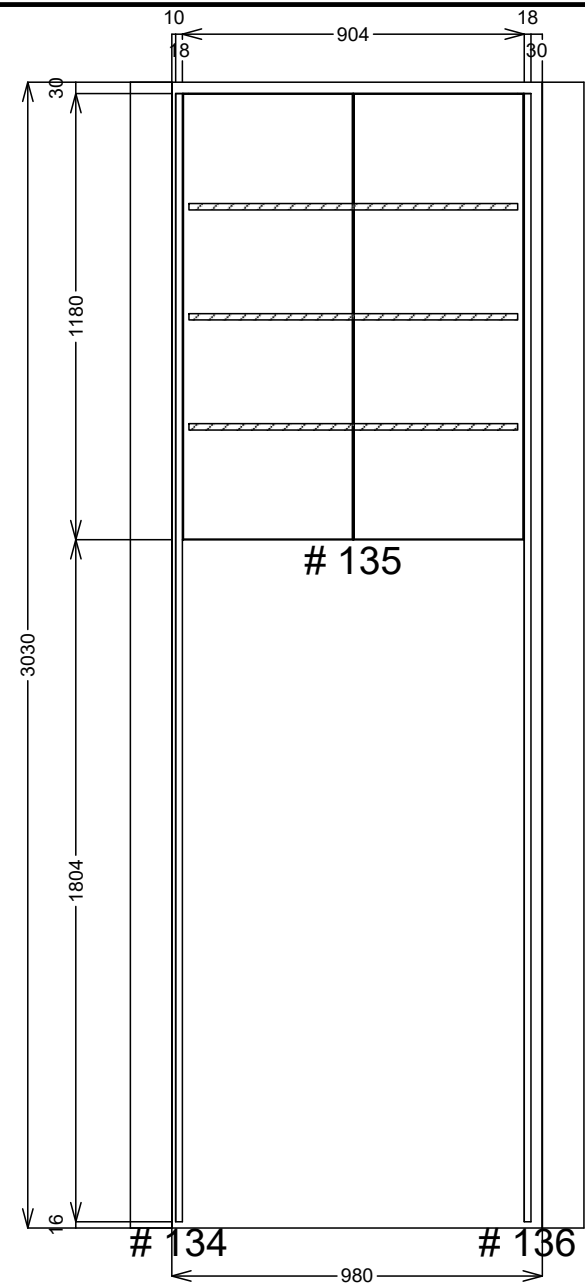
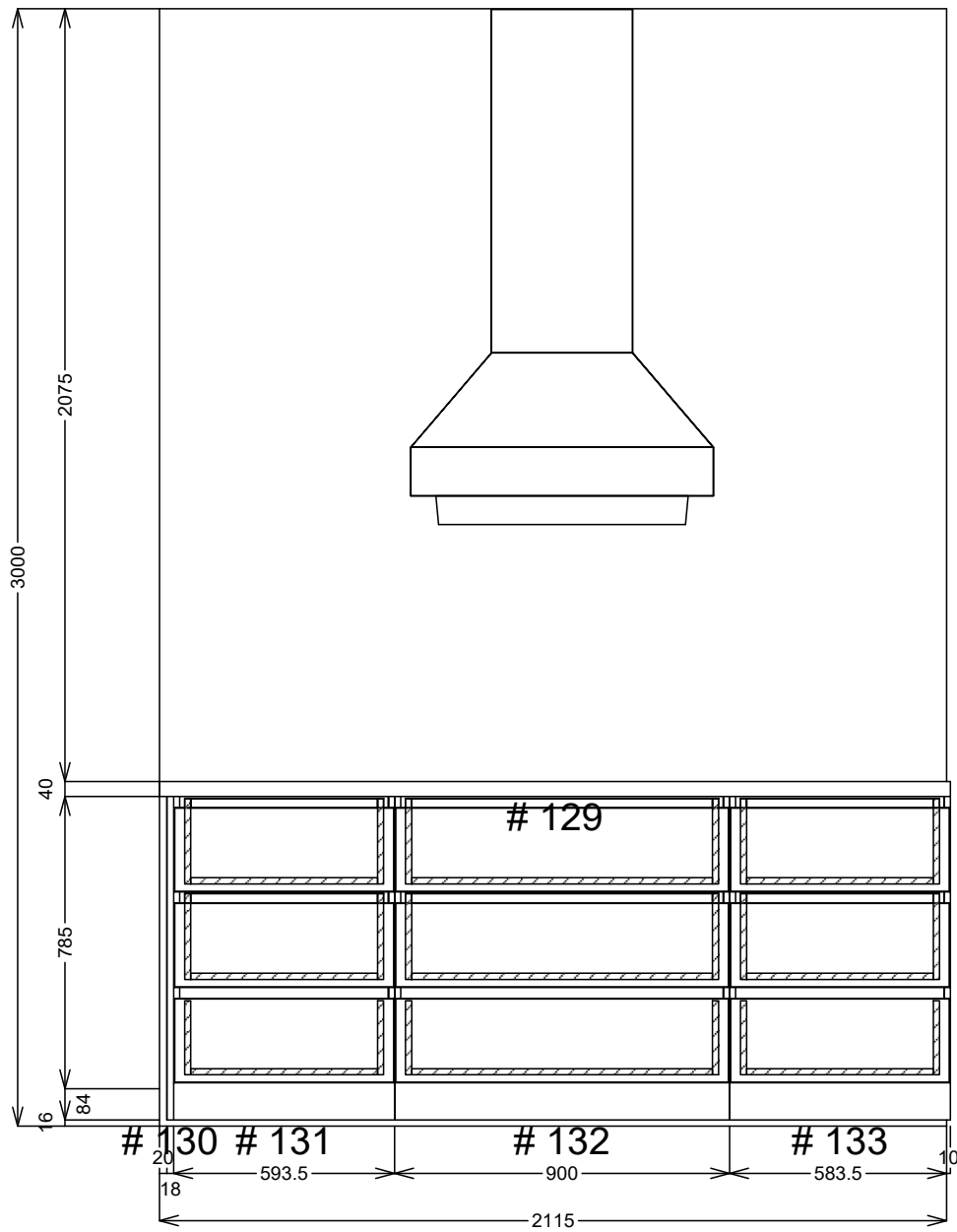


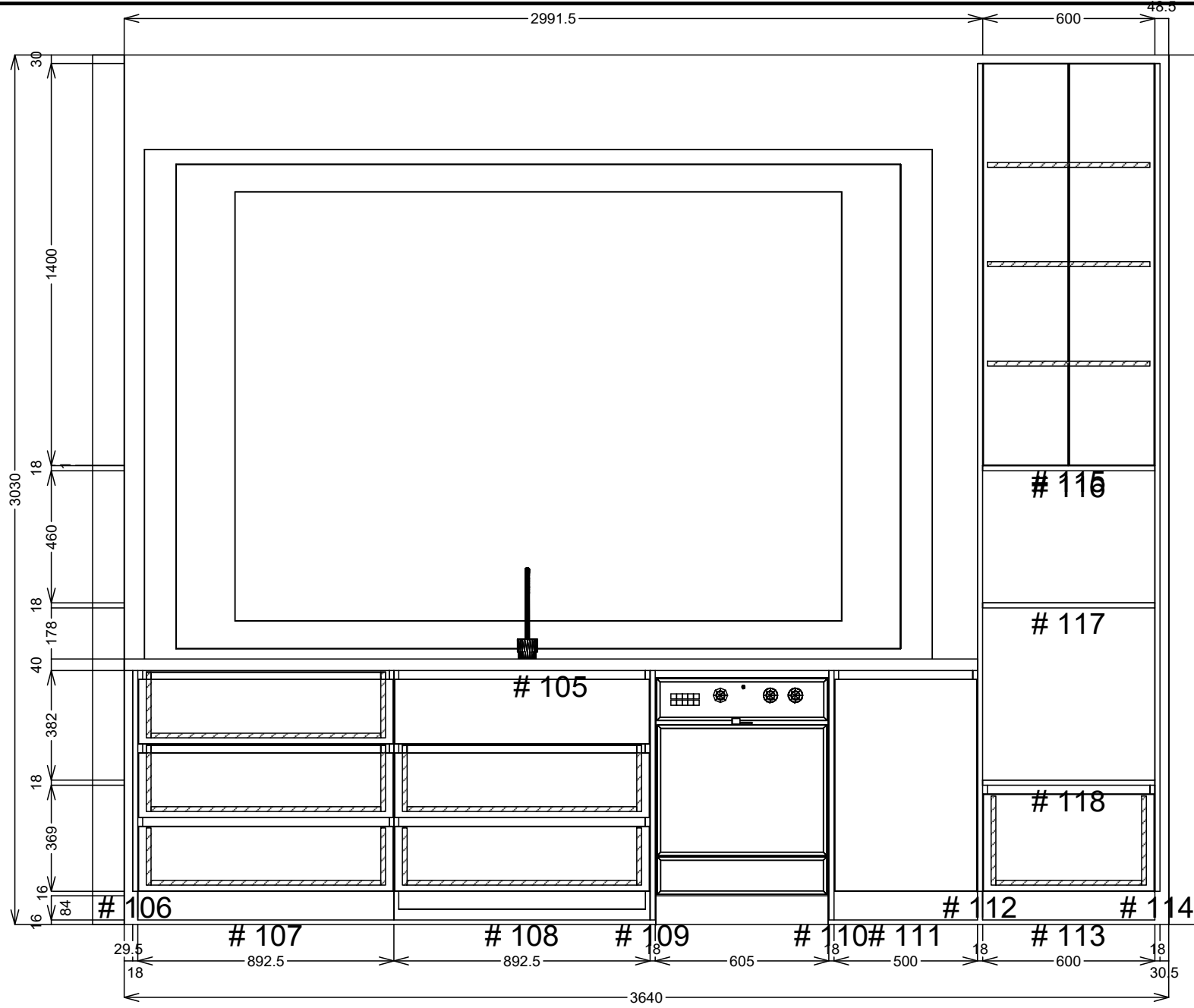
Kitchen



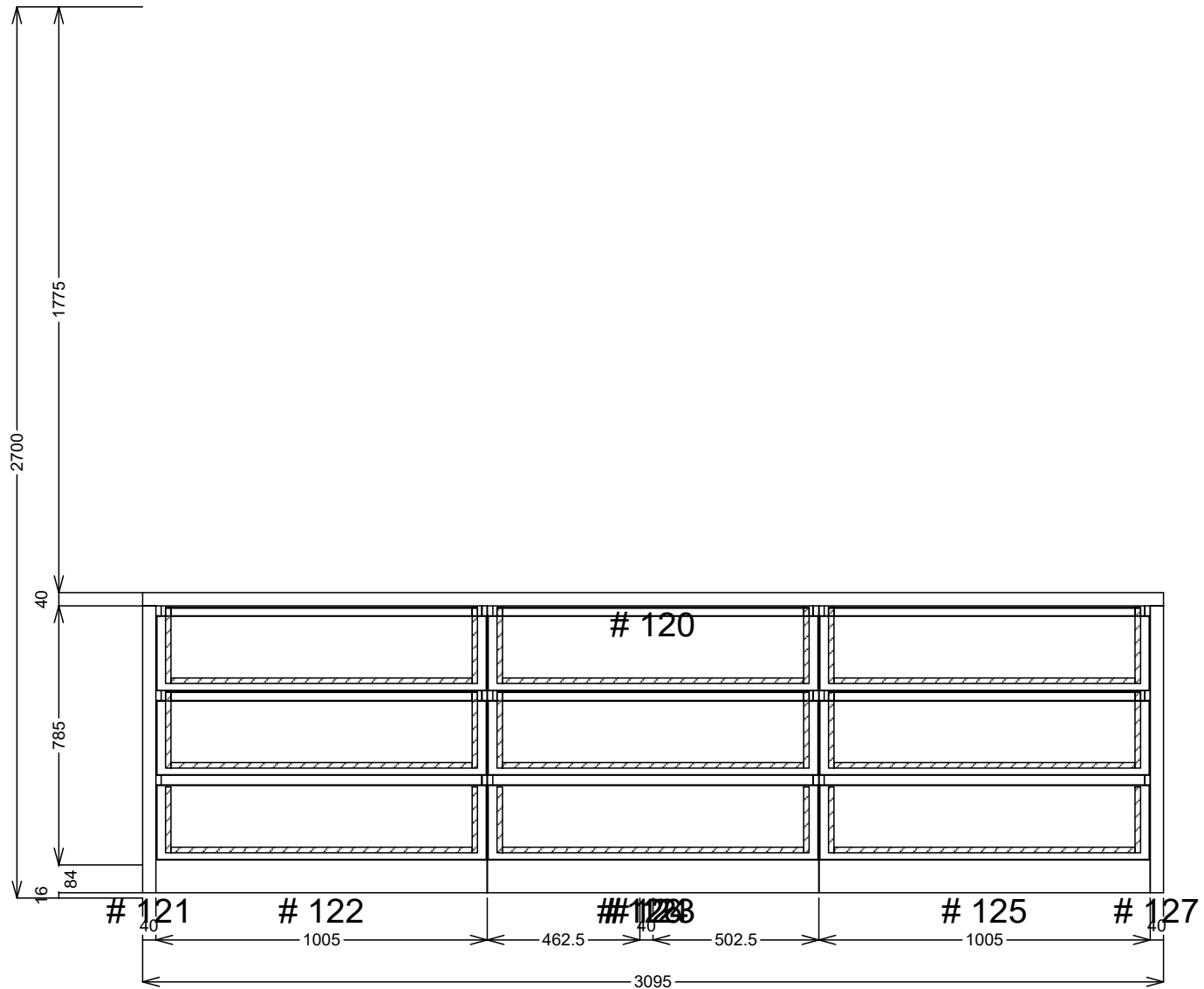
SJ Custom Kitchens	Phone: 0432 101 986	Job #: Job001	Site Contact:	Date: 17/07/23
	Email: sjcustomkitchens@hotmail.com	Job Name: Default	Site Phone:	Drawn By:
	Web: www.sjcustomkitchens.com	Room #:	Site Address:	Drawing #: 1
		Room Name:	City: Victoria.	Scale: NTS



SJ Custom Kitchens	Phone: 0432 101 986	Job #: Job001	Site Contact:	Date: 17/07/23
	Email: sjcustomkitchens@hotmail.com	Job Name: Default	Site Phone:	Drawn By:
	Web: www.sjcustomkitchens.com	Room #:	Site Address:	Drawing #: 2
		Room Name:	City: State: Victoria.	Scale: NTS

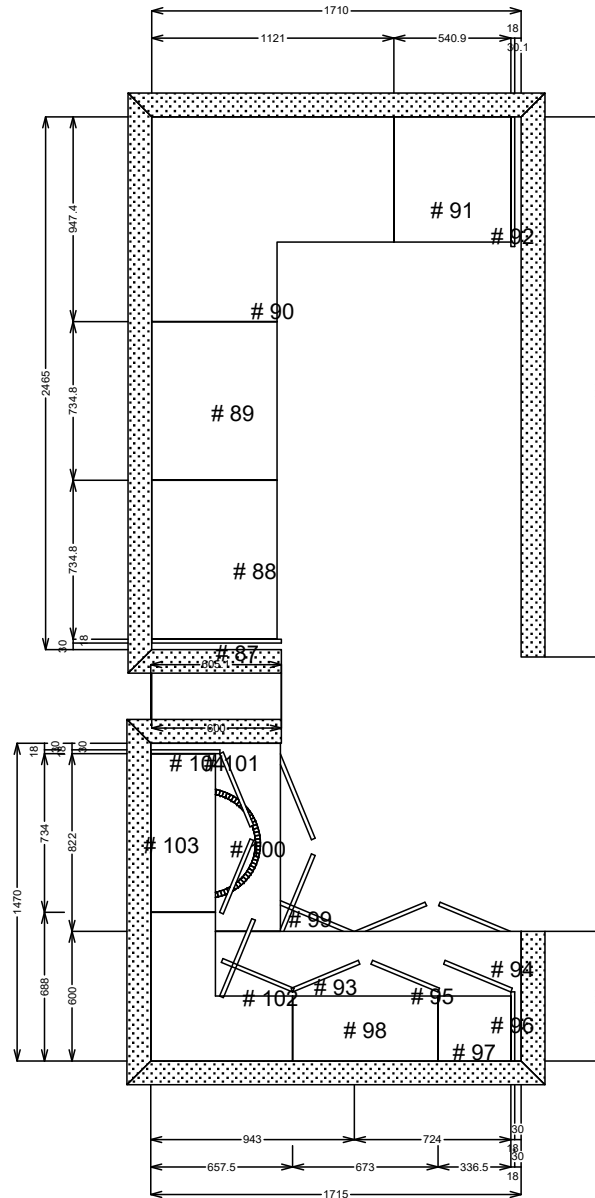


SJ Custom Kitchens	Phone: 0432 101 986	Job #: Job001	Site Contact:	Date: 17/07/23
	Email: sjcustomkitchens@hotmail.com	Job Name: Default	Site Phone:	Drawn By:
	Web: www.sjcustomkitchens.com	Room #:	Site Address:	Drawing #: 3
		Room Name:	City: State: Victoria.	Scale: NTS



SJ Custom Kitchens	Phone: 0432 101 986	Job #: Job001	Site Contact:	Date: 17/07/23
	Email: sjcustomkitchens@hotmail.com	Job Name: Default	Site Phone:	Drawn By:
	Web: www.sjcustomkitchens.com	Room #:	Site Address:	Drawing #: 4
		Room Name:	City: Victoria.	Scale: NTS

Butlers Pantry



Phone: 0432 101 986

Job #: Job001

Site Contact:

Date: 17/07/23

SJ Custom Kitchens

Email: sjcustomkitchens@hotmail.com

Job Name: Default

Site Phone:

Drawn By:

Web: www.sjcustomkitchens.com

Room #:

Site Address:

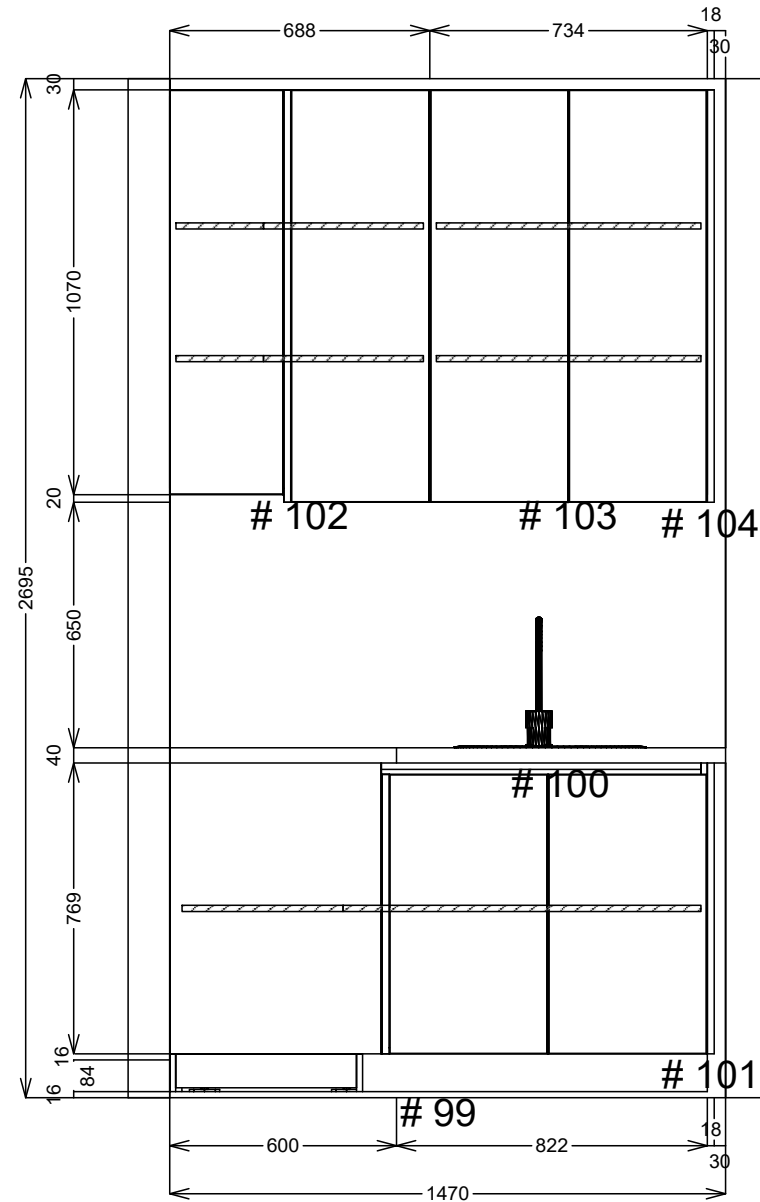
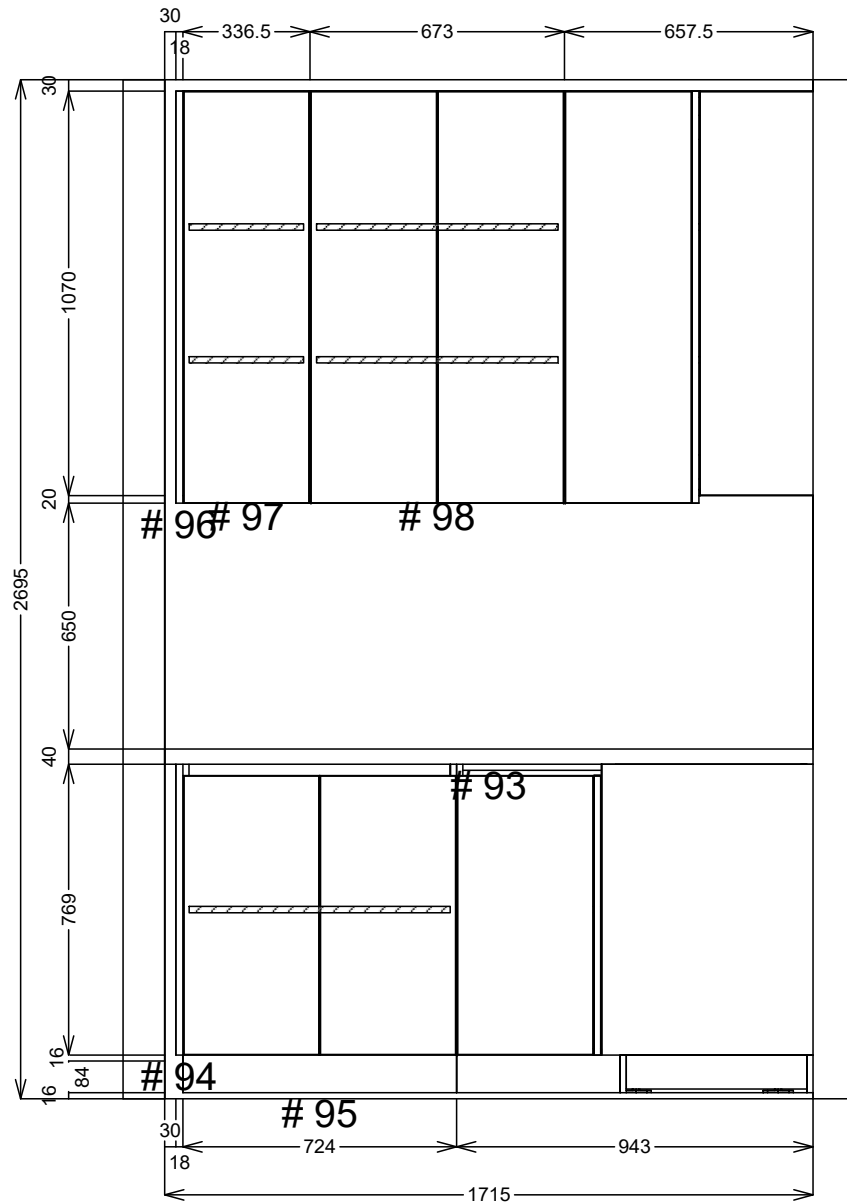
Drawing #: 5

Room Name:

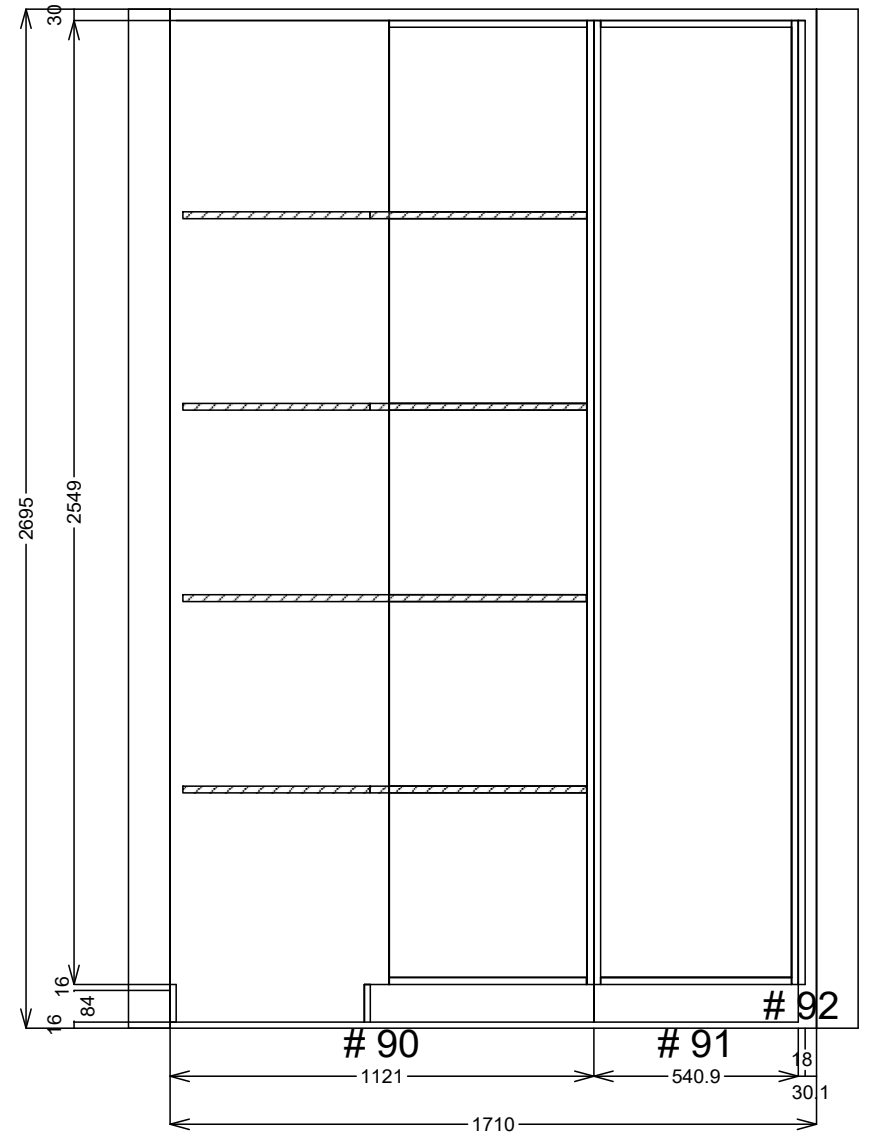
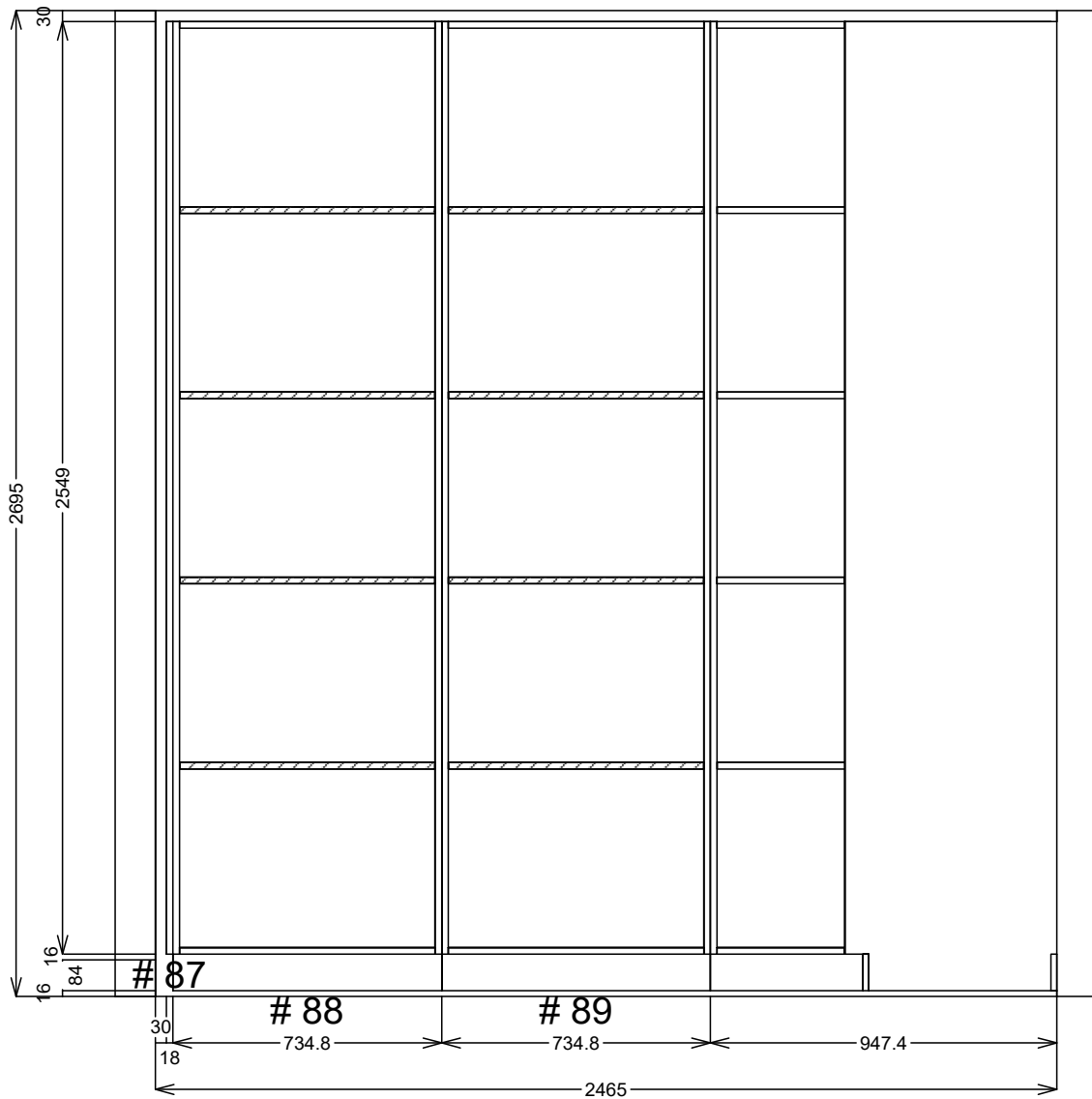
City:

State: Victoria.

Scale: NTS

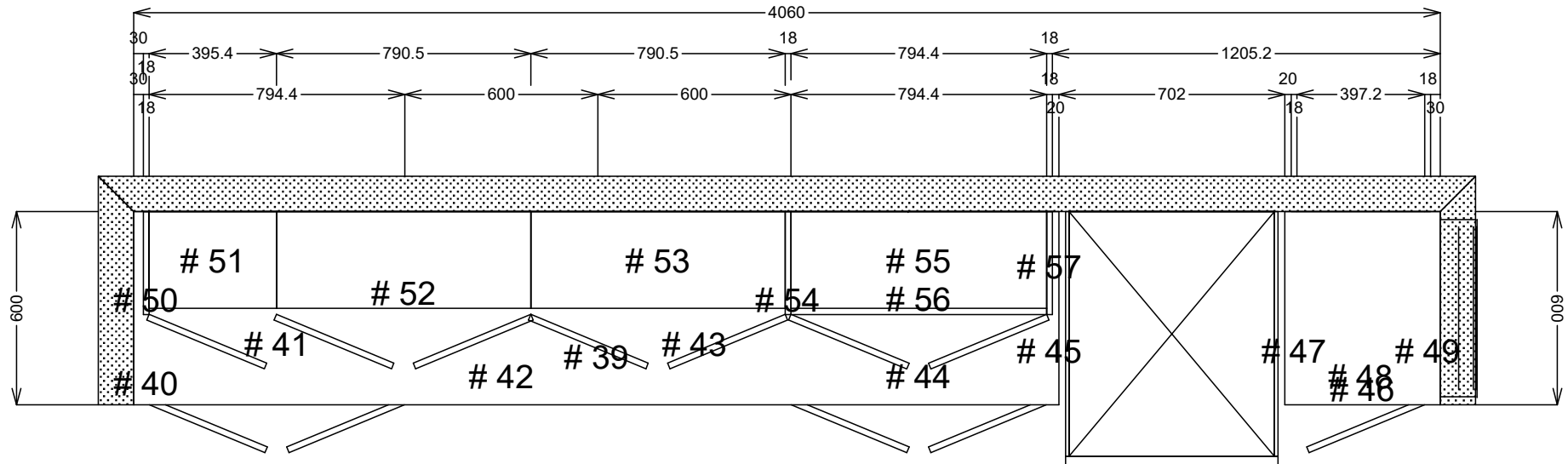


SJ Custom Kitchens	Phone: 0432 101 986	Job #: Job001	Site Contact:	Date: 17/07/23
	Email: sjcustomkitchens@hotmail.com	Job Name: Default	Site Phone:	Drawn By:
	Web: www.sjcustomkitchens.com	Room #:	Site Address:	Drawing #: 6
		Room Name:	City: Victoria.	State: Victoria.

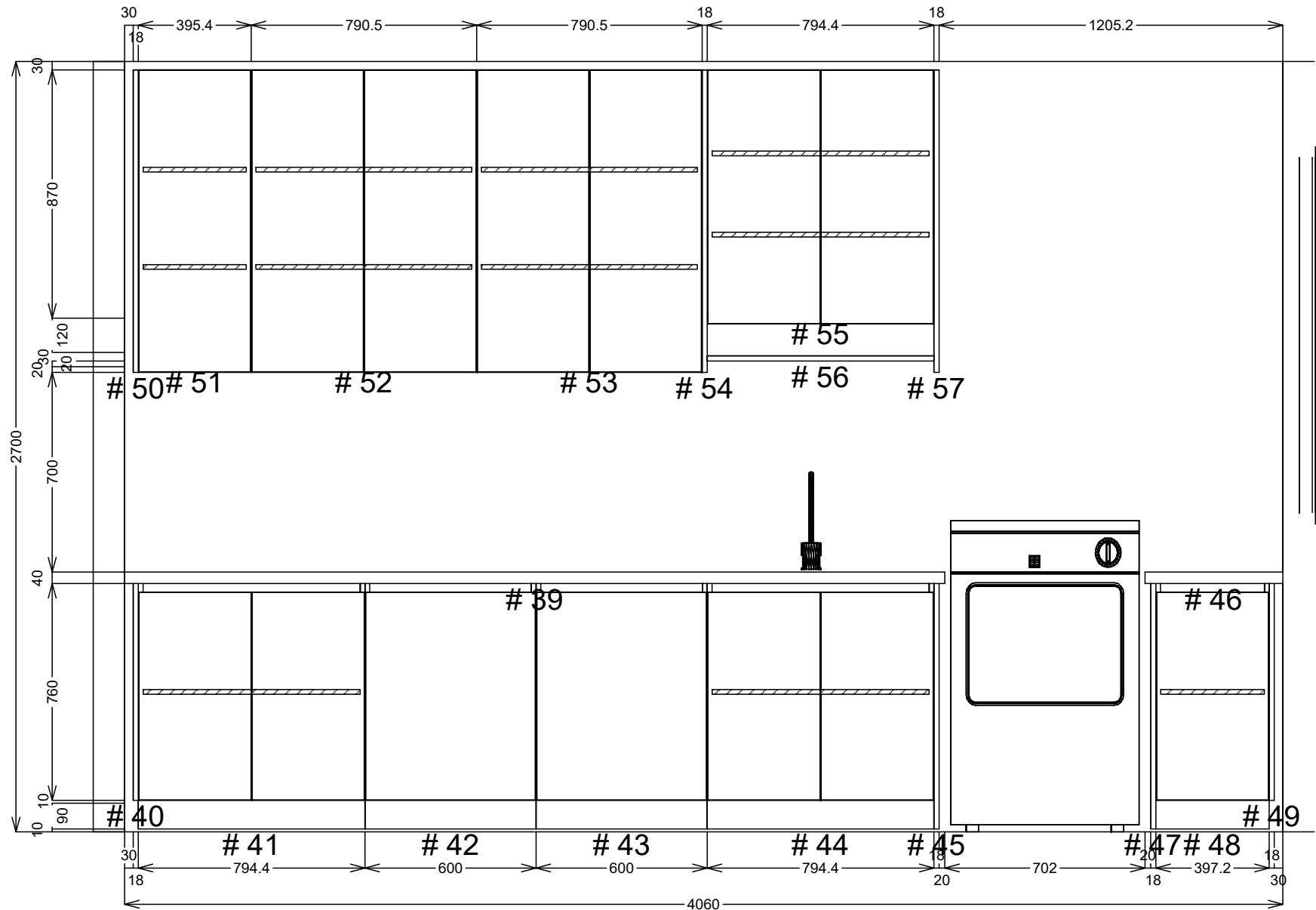


SJ Custom Kitchens	Phone: 0432 101 986	Job #: Job001	Site Contact:	Date: 17/07/23
	Email: sjcustomkitchens@hotmail.com	Job Name: Default	Site Phone:	Drawn By:
	Web: www.sjcustomkitchens.com	Room #:	Site Address:	Drawing #: 7
		Room Name:	City: Victoria.	Scale: NTS

Laundry

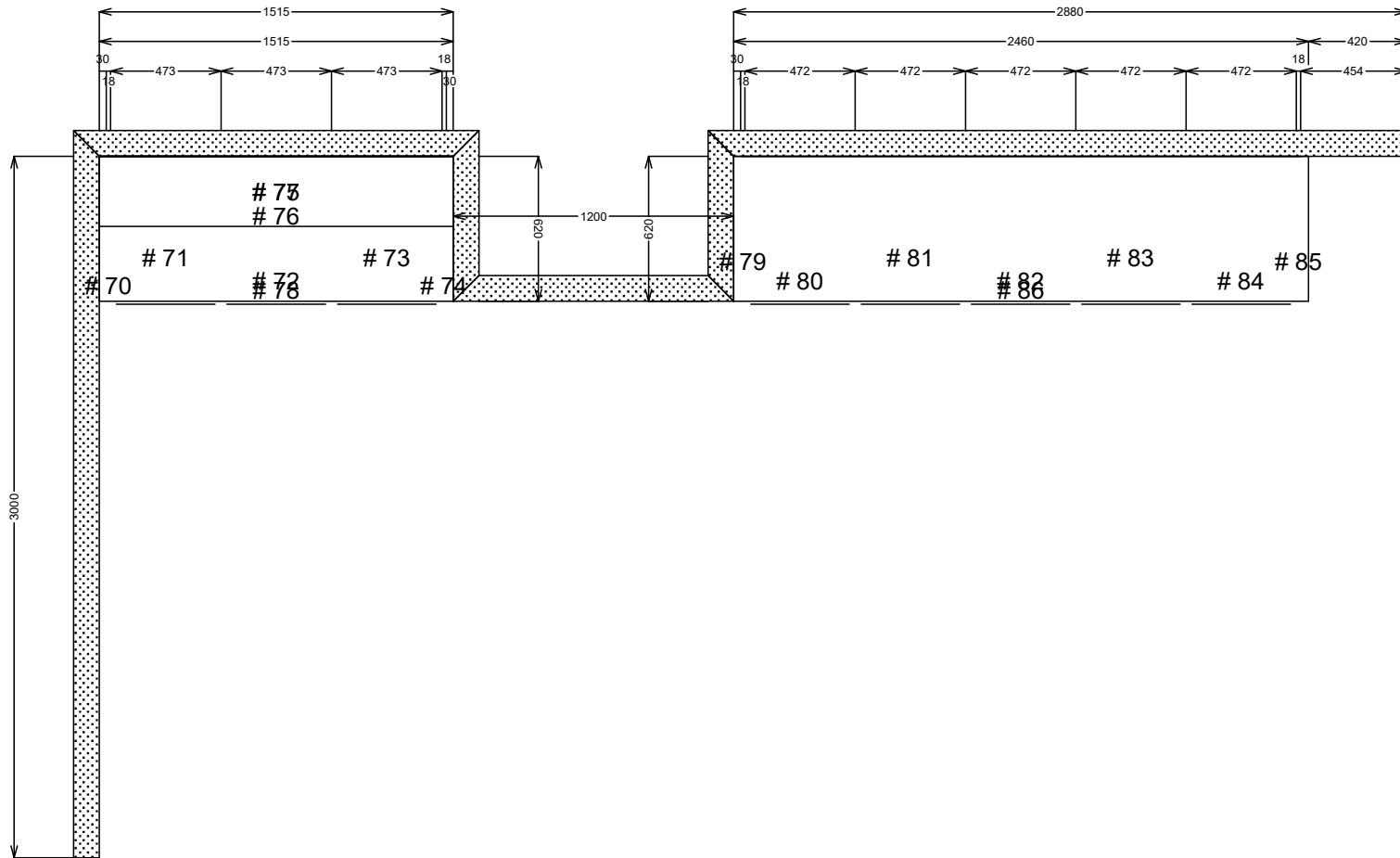


SJ Custom Kitchens	Phone: 0432 101 986	Job #: Job001	Site Contact:	Date: 17/07/23
	Email: sjcustomkitchens@hotmail.com	Job Name: Default	Site Phone:	Drawn By:
	Web: www.sjcustomkitchens.com	Room #:	Site Address:	Drawing #: 8
		Room Name:	City: Victoria. State: Victoria.	Scale: NTS

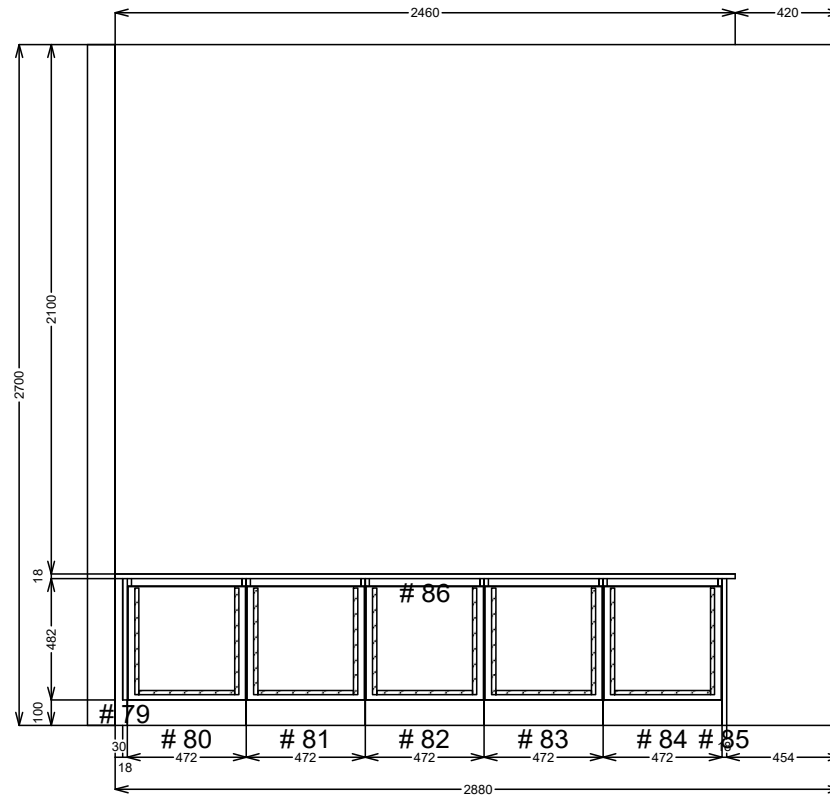
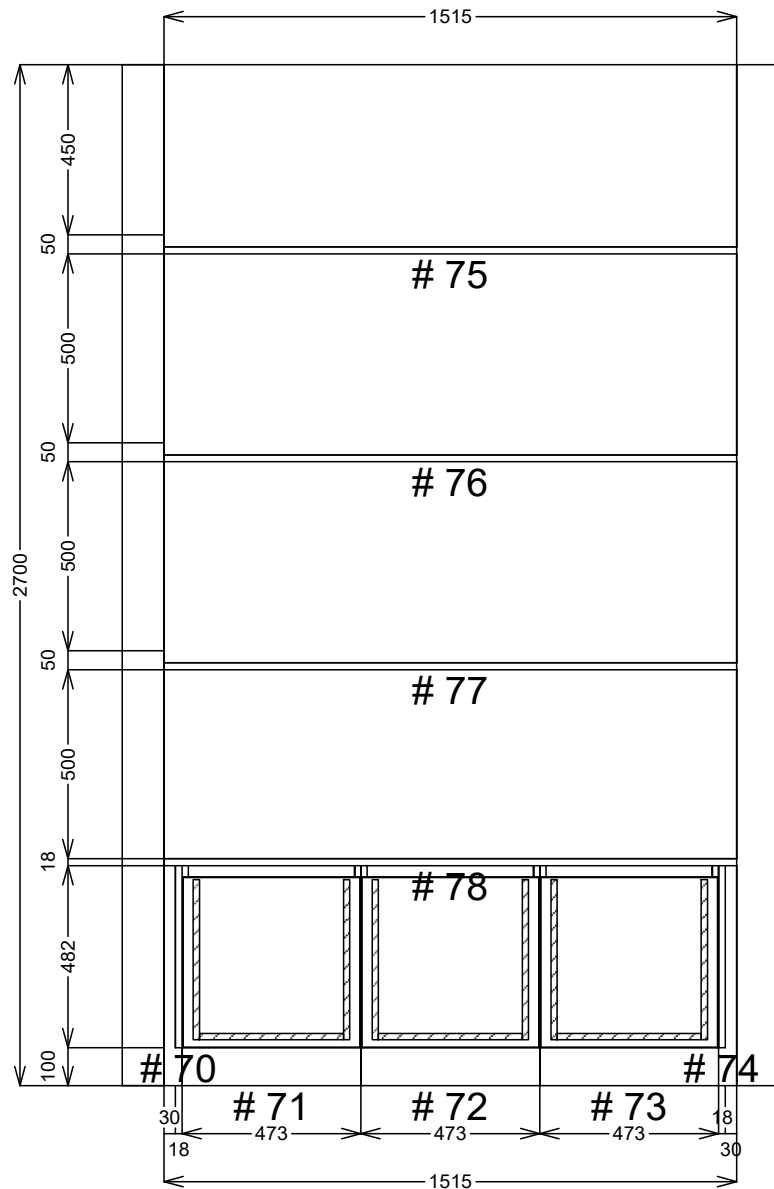


SJ Custom Kitchens	Phone: 0432 101 986	Job #: Job001	Site Contact:	Date: 17/07/23
	Email: sjcustomkitchens@hotmail.com	Job Name: Default	Site Phone:	Drawn By:
	Web: www.sjcustomkitchens.com	Room #:	Site Address:	Drawing #: 9
		Room Name:	City: Victoria.	Scale: NTS

Fireplace Cabs

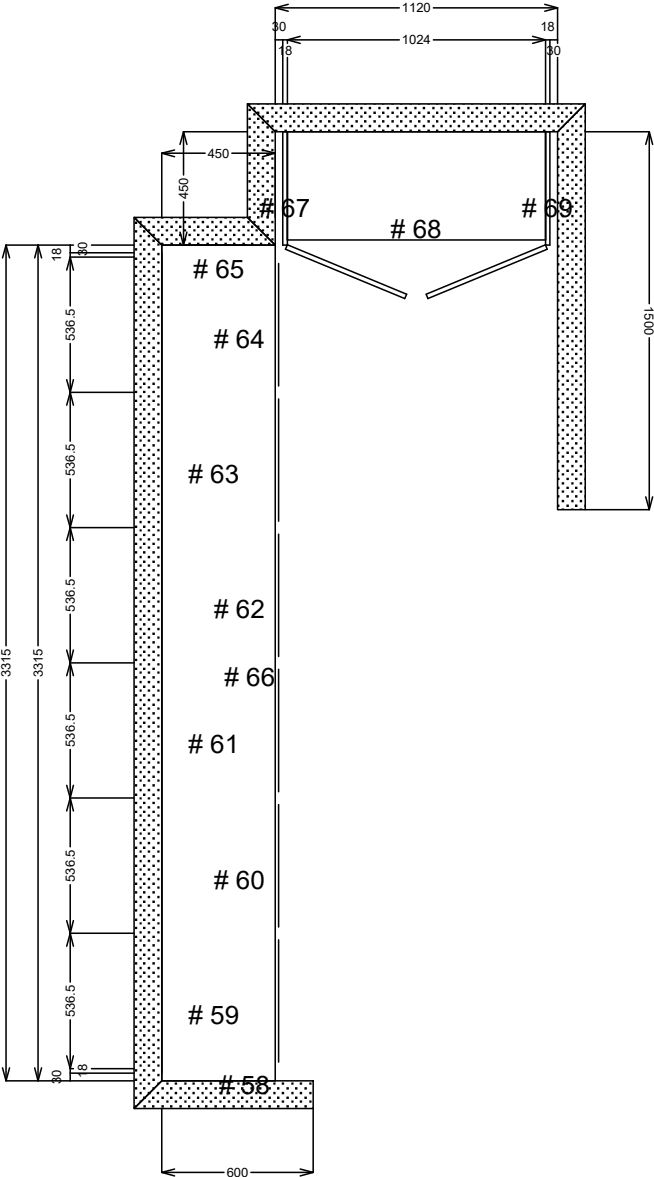


SJ Custom Kitchens	Phone: 0432 101 986	Job #: Job001	Site Contact:	Date: 17/07/23
	Email: sjcustomkitchens@hotmail.com	Job Name: Default	Site Phone:	Drawn By:
	Web: www.sjcustomkitchens.com	Room #:	Site Address:	Drawing #: 10
		Room Name:	City: Victoria.	Scale: NTS

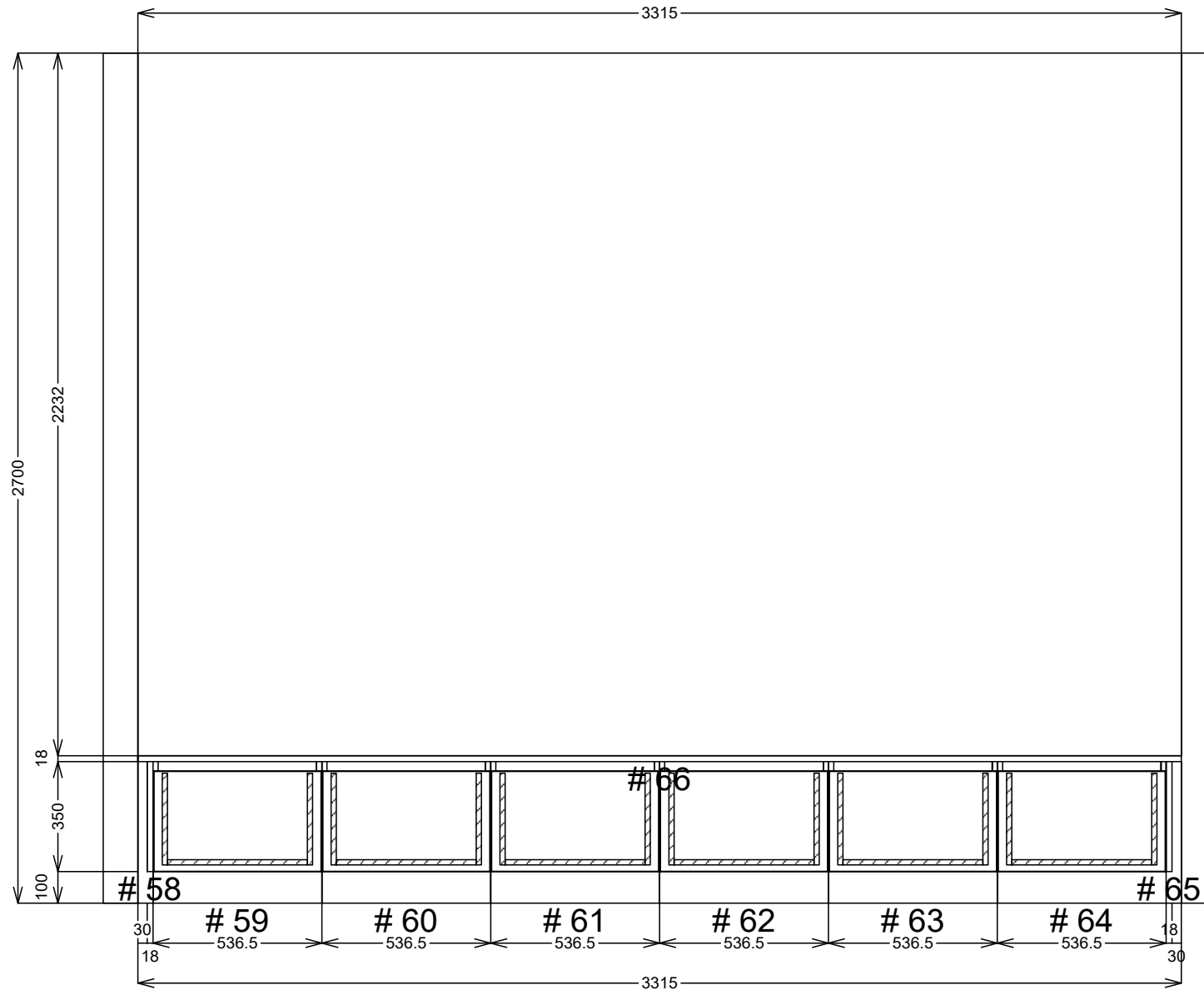


SJ Custom Kitchens	Phone: 0432 101 986	Job #: Job001	Site Contact:	Date: 17/07/23
	Email: sjcustomkitchens@hotmail.com	Job Name: Default	Site Phone:	Drawn By:
	Web: www.sjcustomkitchens.com	Room #:	Site Address:	Drawing #: 11
		Room Name:	City: Victoria.	Scale: NTS

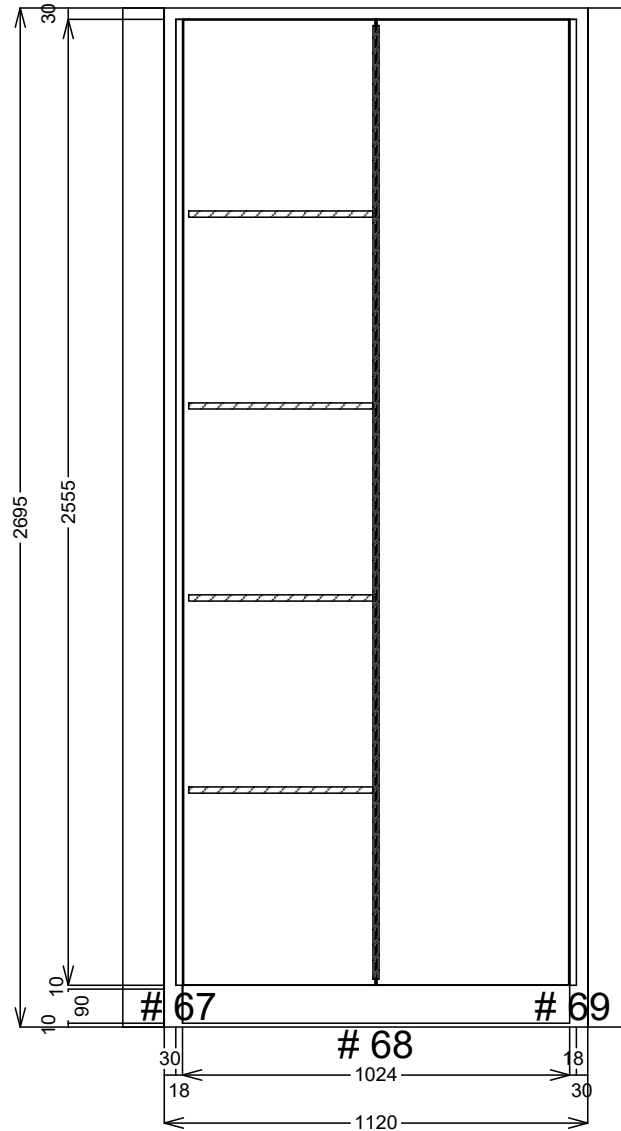
Mud Room



SJ Custom Kitchens	Phone: 0432 101 986	Job #: Job001	Site Contact:	Date: 17/07/23
	Email: sjcustomkitchens@hotmail.com	Job Name: Default	Site Phone:	Drawn By:
	Web: www.sjcustomkitchens.com	Room #:	Site Address:	Drawing #: 12
		Room Name:	City: Victoria.	Scale: NTS

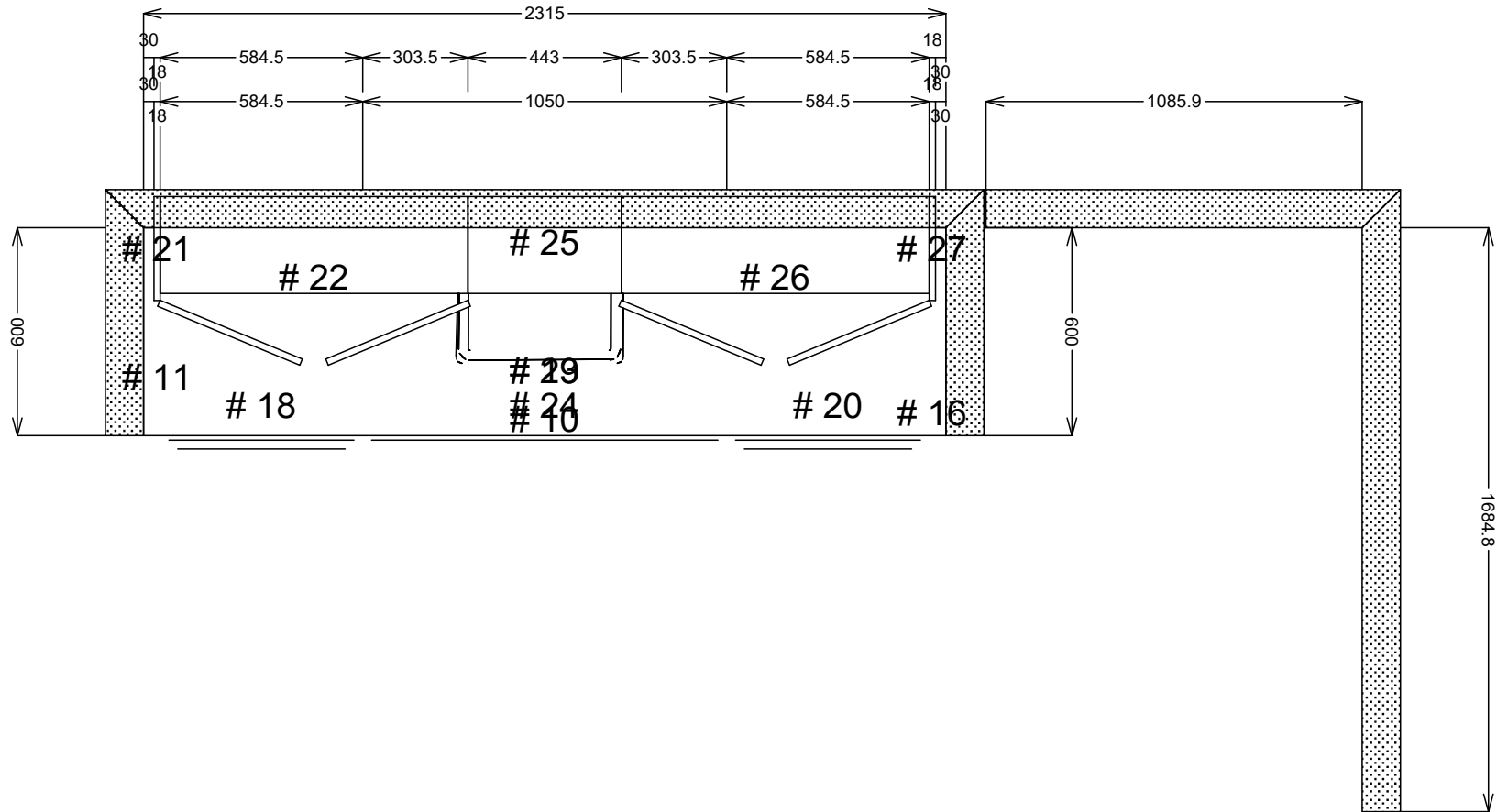


SJ Custom Kitchens	Phone: 0432 101 986	Job #: Job001	Site Contact:	Date: 17/07/23
	Email: sjcustomkitchens@hotmail.com	Job Name: Default	Site Phone:	Drawn By:
	Web: www.sjcustomkitchens.com	Room #:	Site Address:	Drawing #: 13
		Room Name:	City: State: Victoria.	Scale: NTS

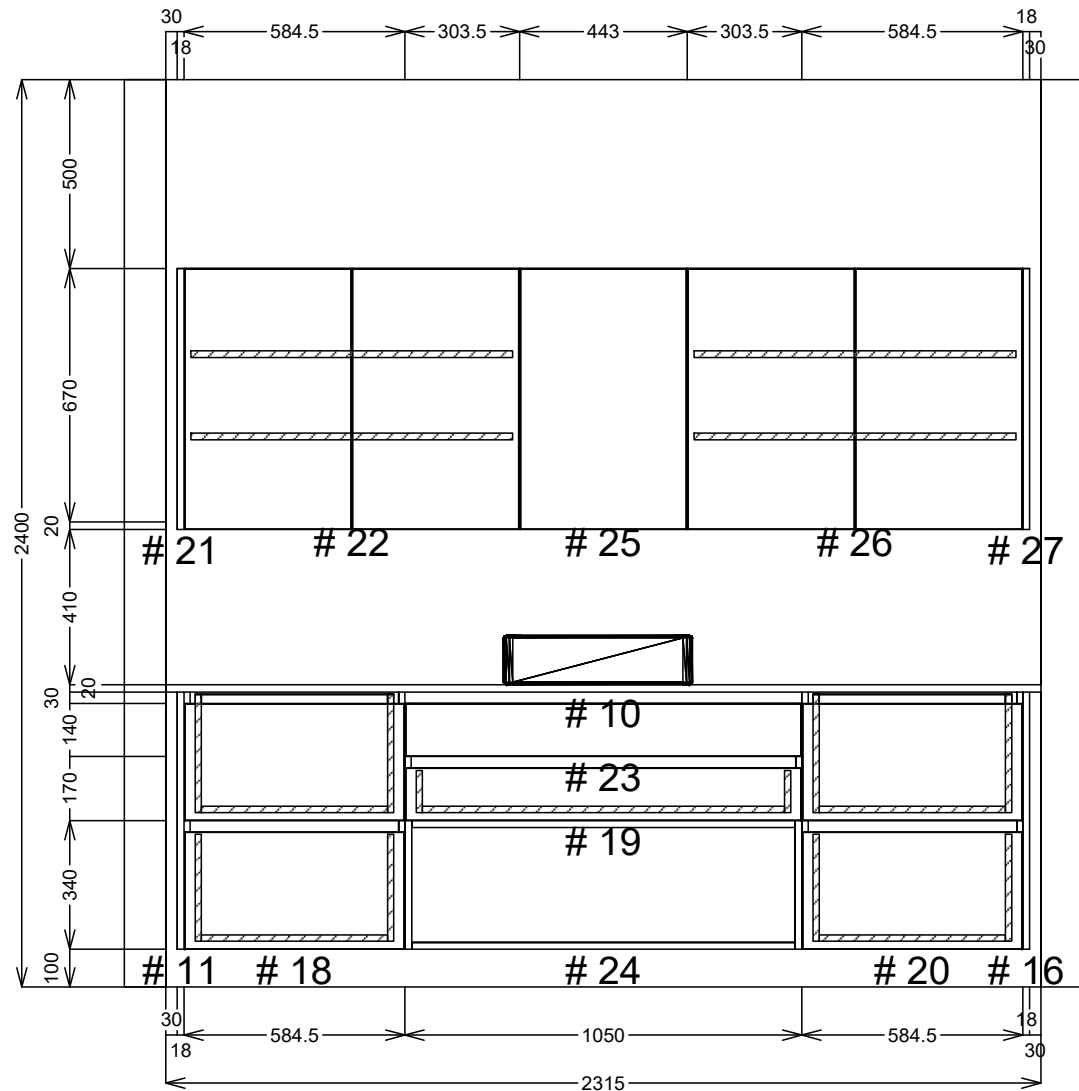


SJ Custom Kitchens	Phone: 0432 101 986	Job #: Job001	Site Contact:	Date: 17/07/23
	Email: sjcustomkitchens@hotmail.com	Job Name: Default	Site Phone:	Drawn By:
	Web: www.sjcustomkitchens.com	Room #:	Site Address:	Drawing #: 14
		Room Name:	City: Victoria.	Scale: NTS

Master Ensuite

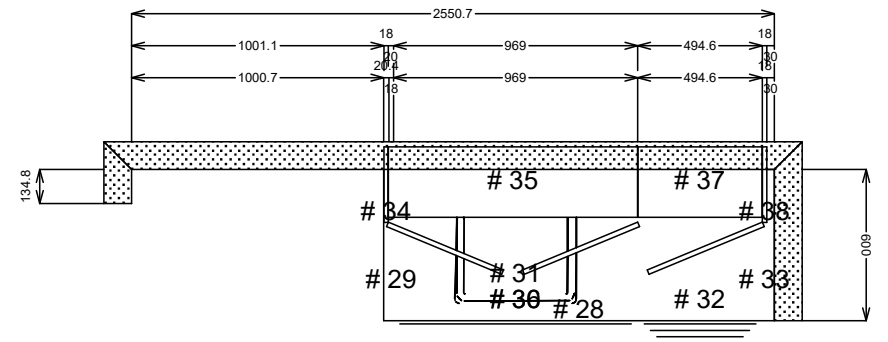
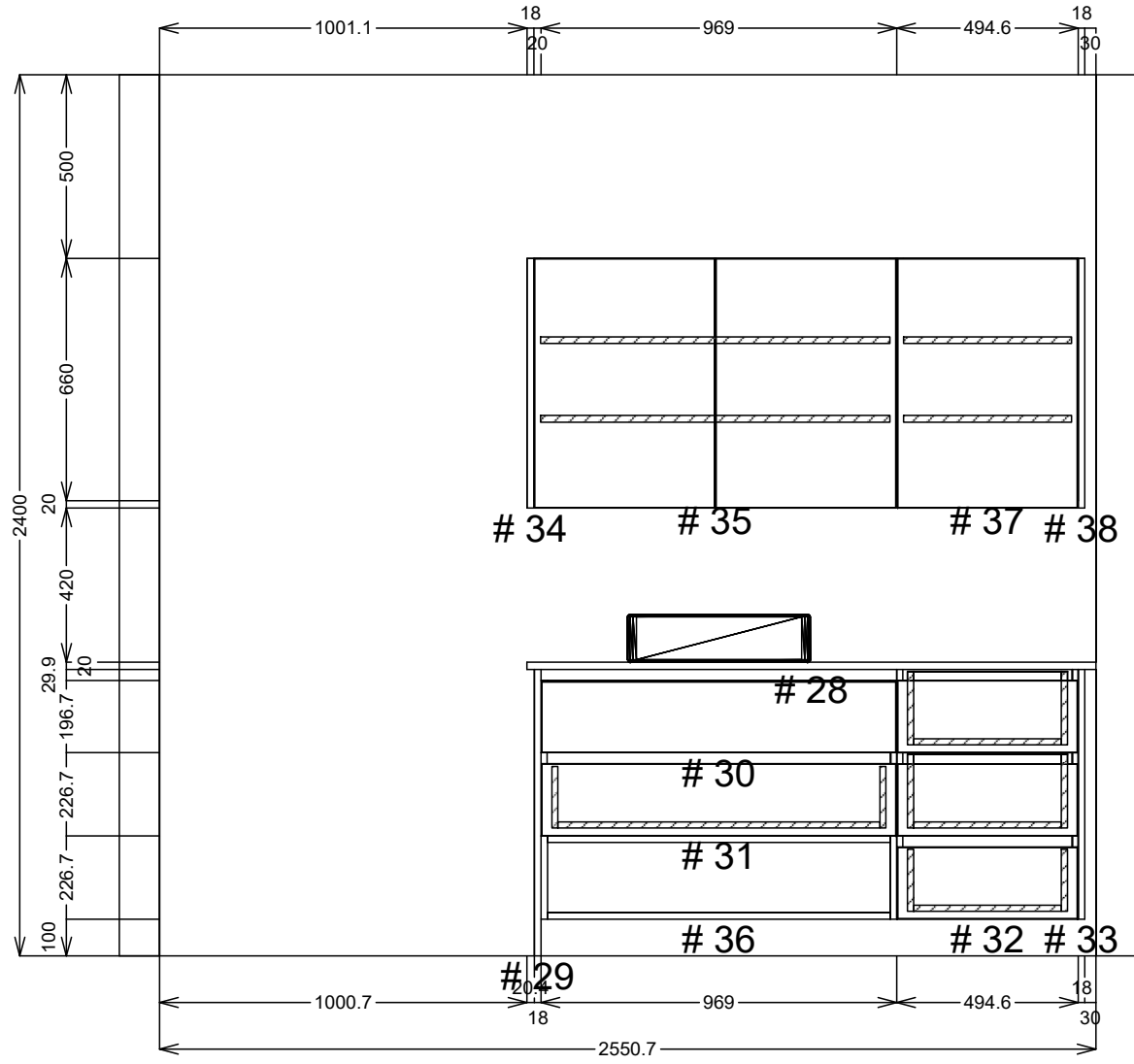


SJ Custom Kitchens	Phone: 0432 101 986	Job #: Job001	Site Contact:	Date: 17/07/23
	Email: sjcustomkitchens@hotmail.com	Job Name: Default	Site Phone:	Drawn By:
	Web: www.sjcustomkitchens.com	Room #:	Site Address:	Drawing #: 15
		Room Name:	City: Victoria.	Scale: NTS



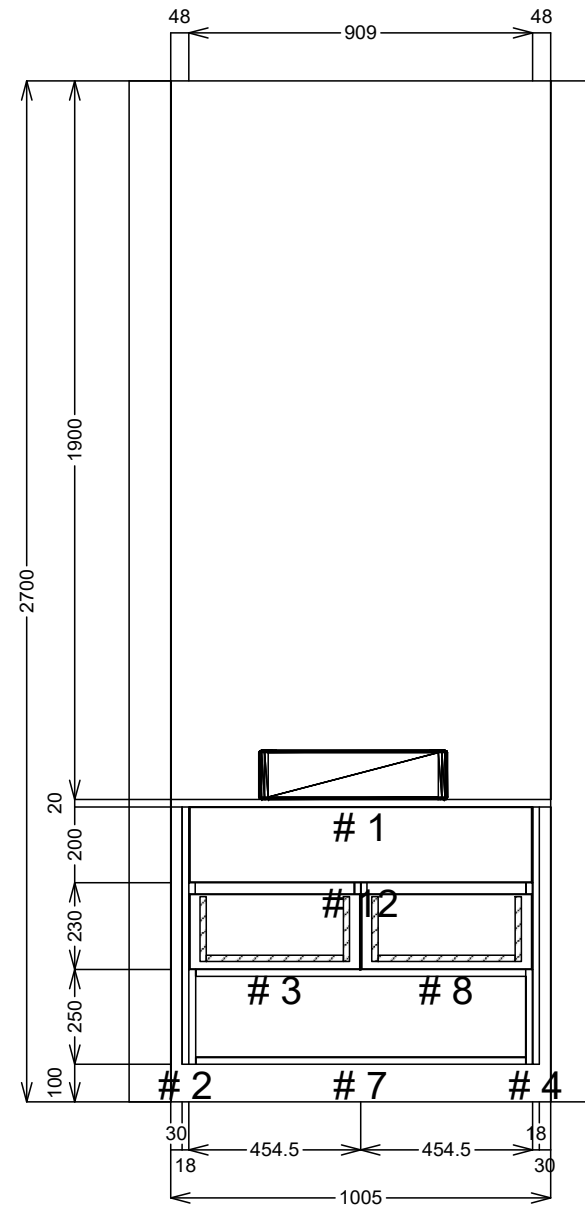
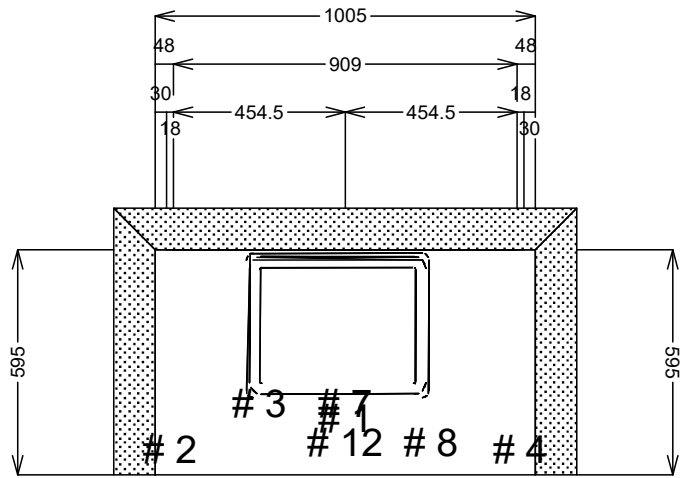
SJ Custom Kitchens	Phone: 0432 101 986	Job #: Job001	Site Contact:	Date: 17/07/23
	Email: sjcustomkitchens@hotmail.com	Job Name: Default	Site Phone:	Drawn By:
	Web: www.sjcustomkitchens.com	Room #:	Site Address:	Drawing #: 16
		Room Name:	City: State: Victoria.	Scale: NTS

Bed 2 Ensuite



SJ Custom Kitchens	Phone: 0432 101 986	Job #: Job001	Site Contact:	Date: 17/07/23
	Email: sjcustomkitchens@hotmail.com	Job Name: Default	Site Phone:	Drawn By:
	Web: www.sjcustomkitchens.com	Room #:	Site Address:	Drawing #: 17
		Room Name:	City: Victoria.	Scale: NTS

Powder



SJ Custom Kitchens	Phone: 0432 101 986	Job #: Job001	Site Contact:	Date: 17/07/23
	Email: sjcustomkitchens@hotmail.com	Job Name: Default	Site Phone:	Drawn By:
	Web: www.sjcustomkitchens.com	Room #:	Site Address:	Drawing #: 19
		Room Name:	City: Victoria.	Scale: NTS