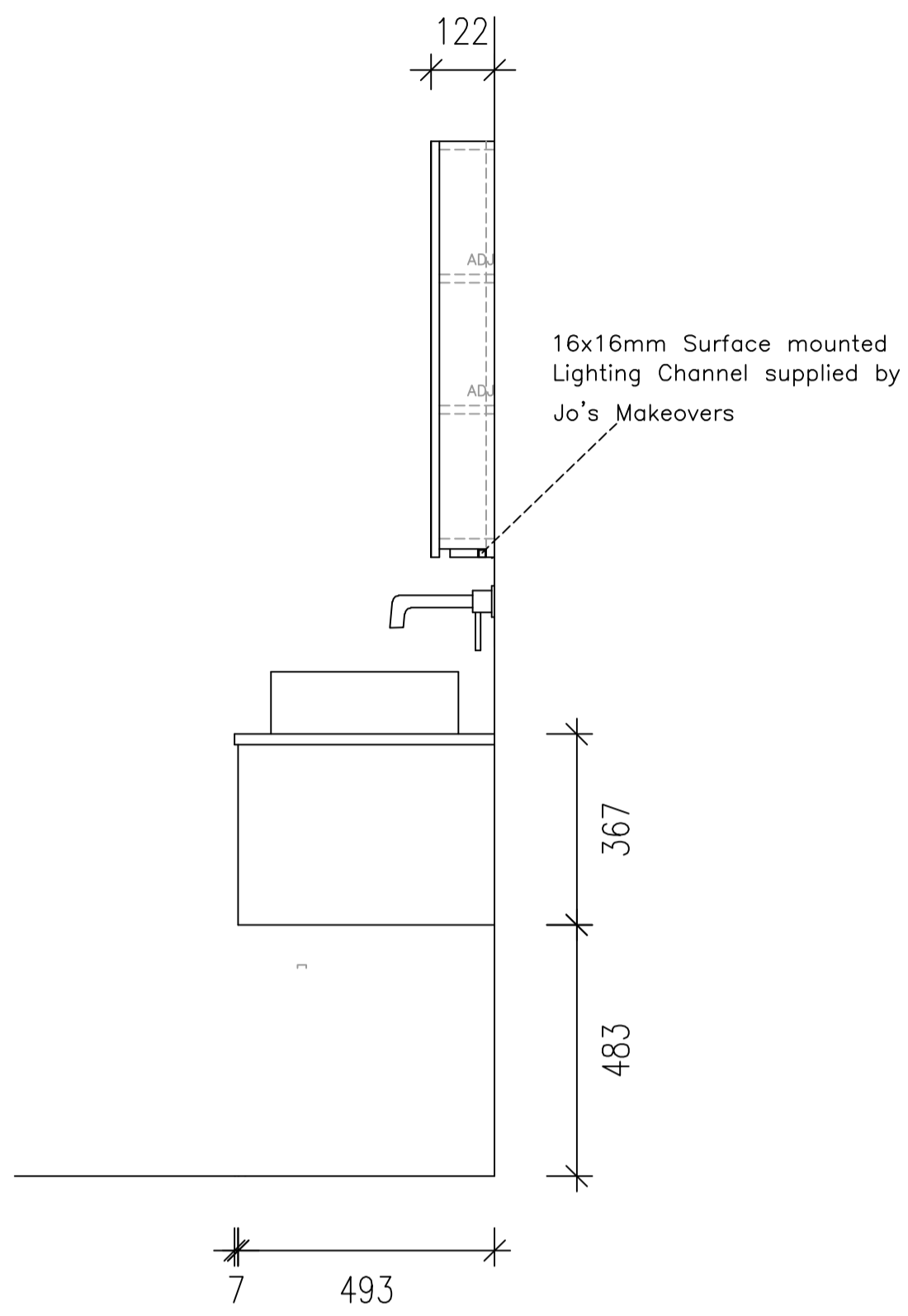
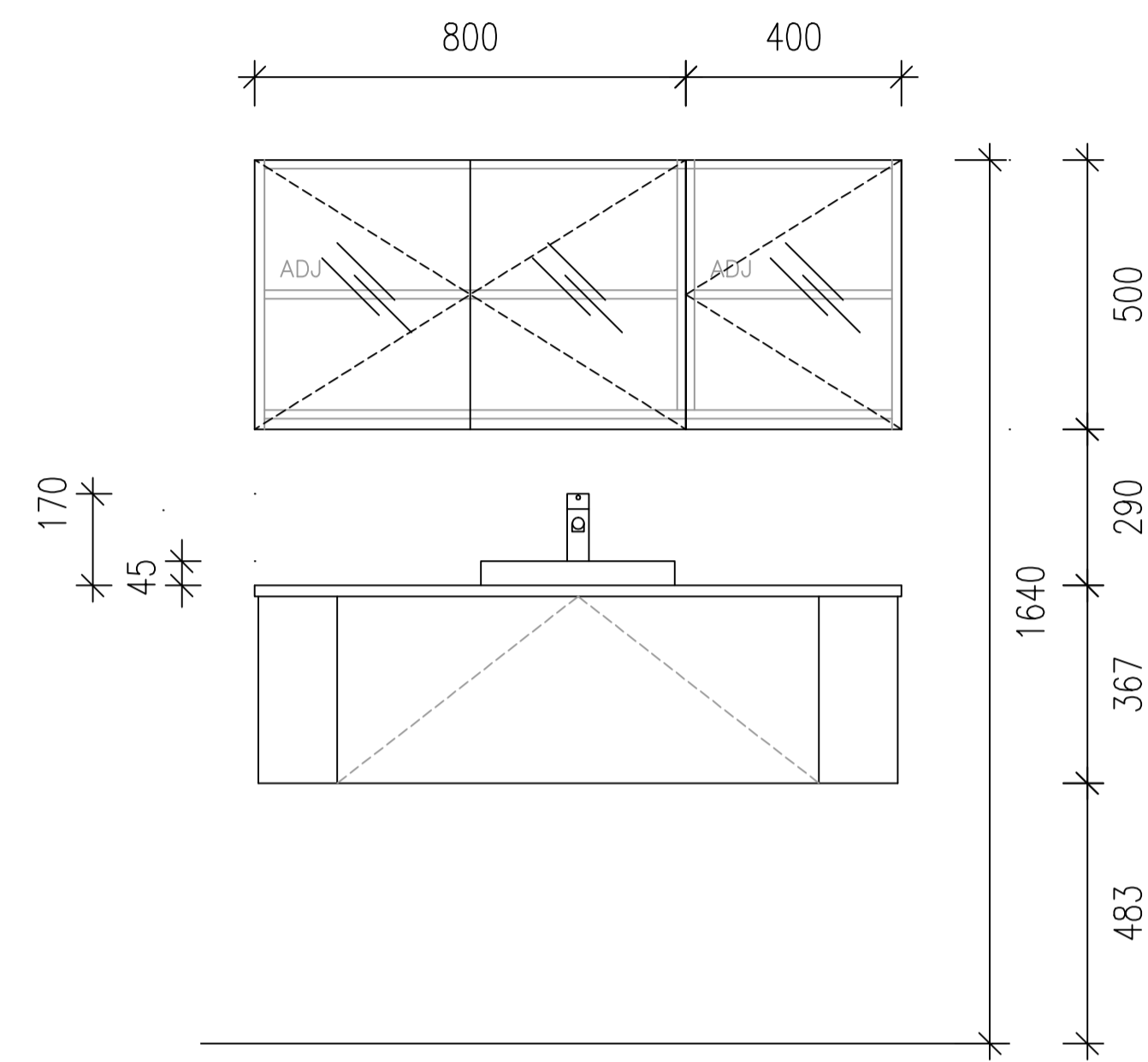


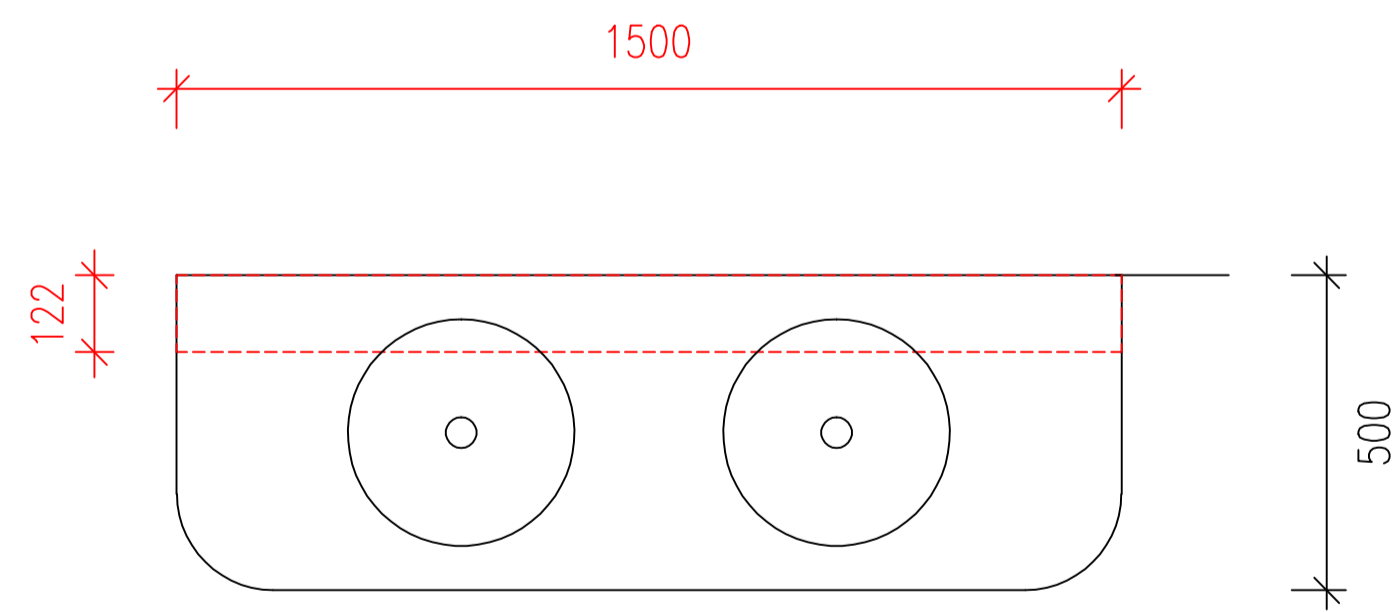
FRONT ELEVATION



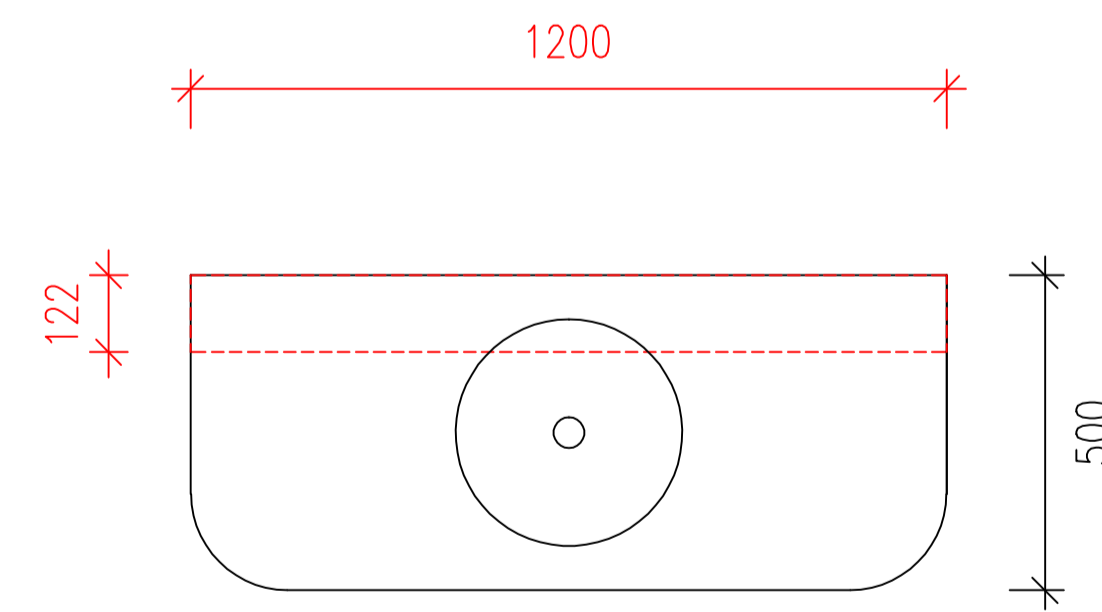
SIDE ELEVATION



FRONT ELEVATION



PLAN VIEW



PLAN VIEW

FINISHES

- ◇ V1 ADP VANITY BY JO'S MAKEOVERS
- ◇ L1 SHAVING CABINETS FINISHED POLYTEC COASTAL OAK WOODMATT

JO'S MAKEOVERS



PROJECT: 1B PAUL ST
CHELTENHAM

Drawing Title : SHAVING CABINET
Date: 20/07/23
Drawing No. A1
Revision : D
Drawn: AC

PLANS INSPECTED AND APPROVED FOR CONSTRUCTION

NAME _____

SIGNED _____

DATED / /