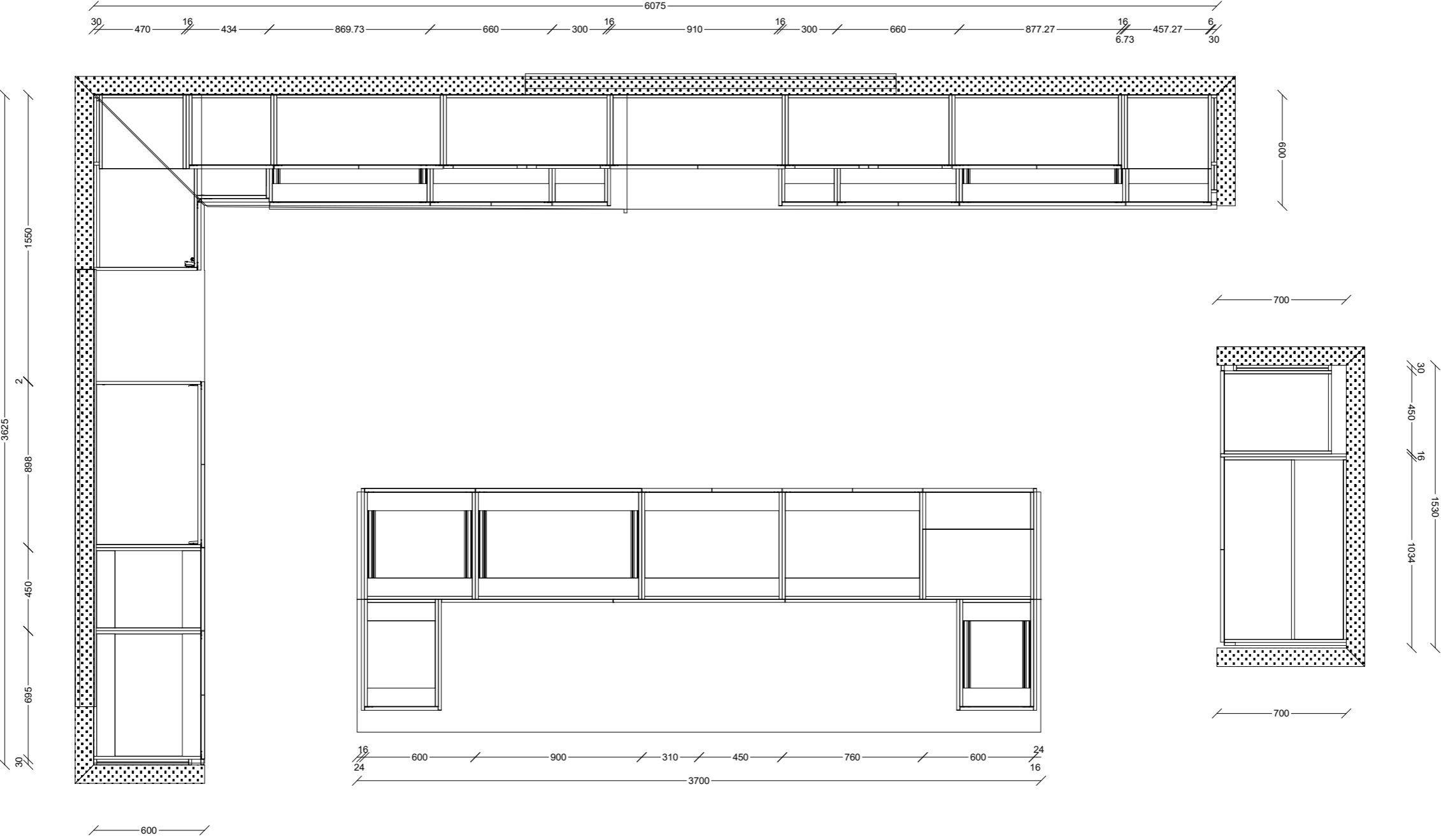


# Kitchen



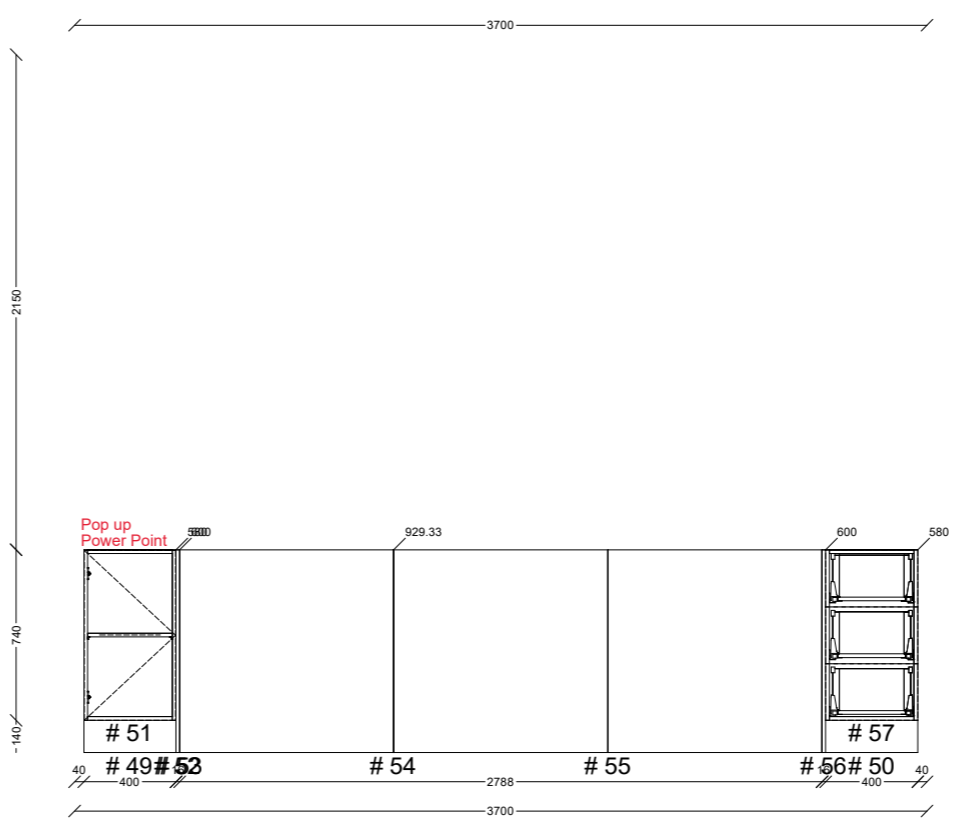
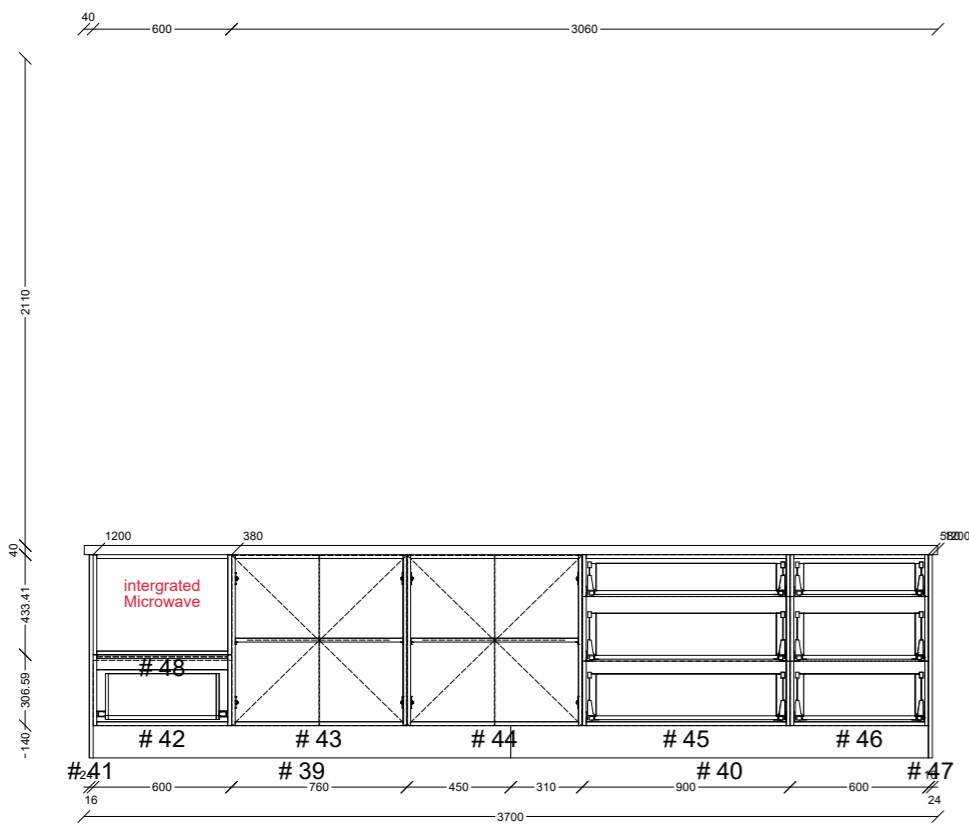
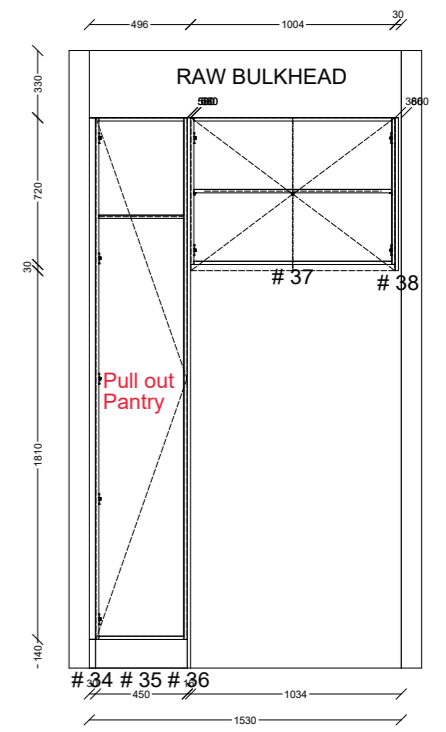
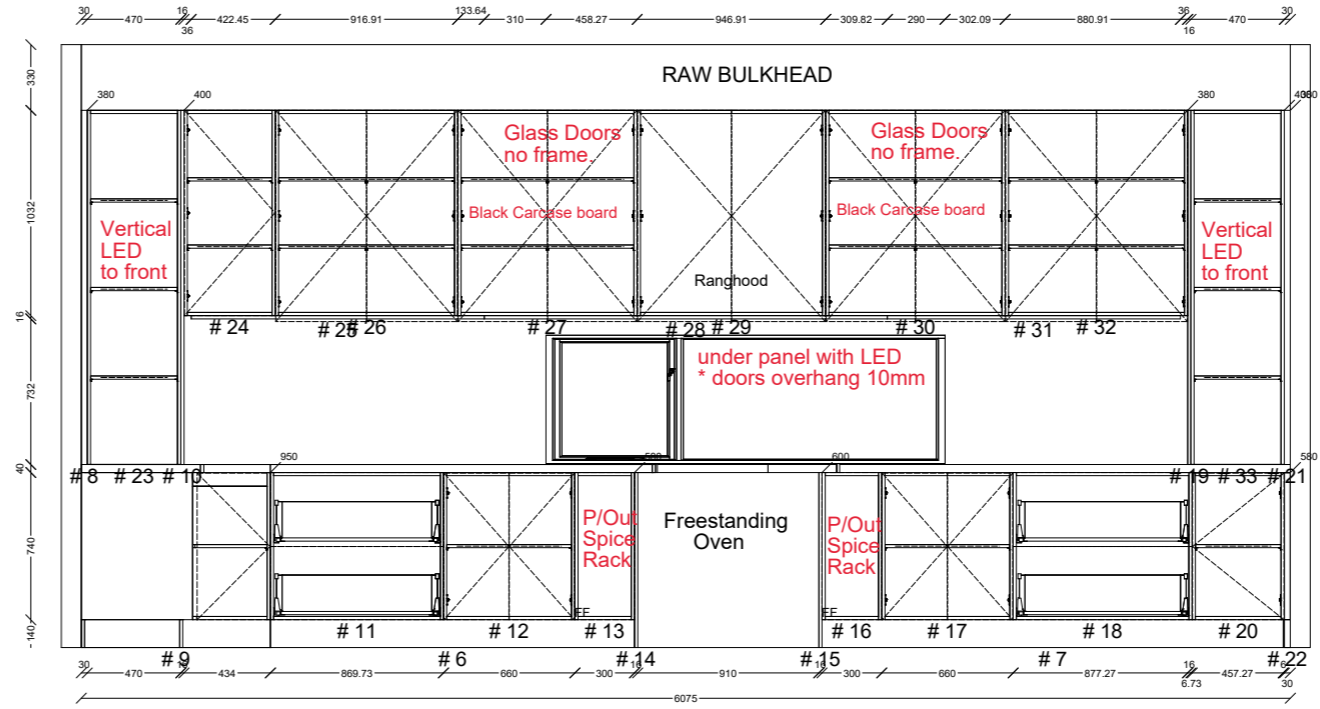
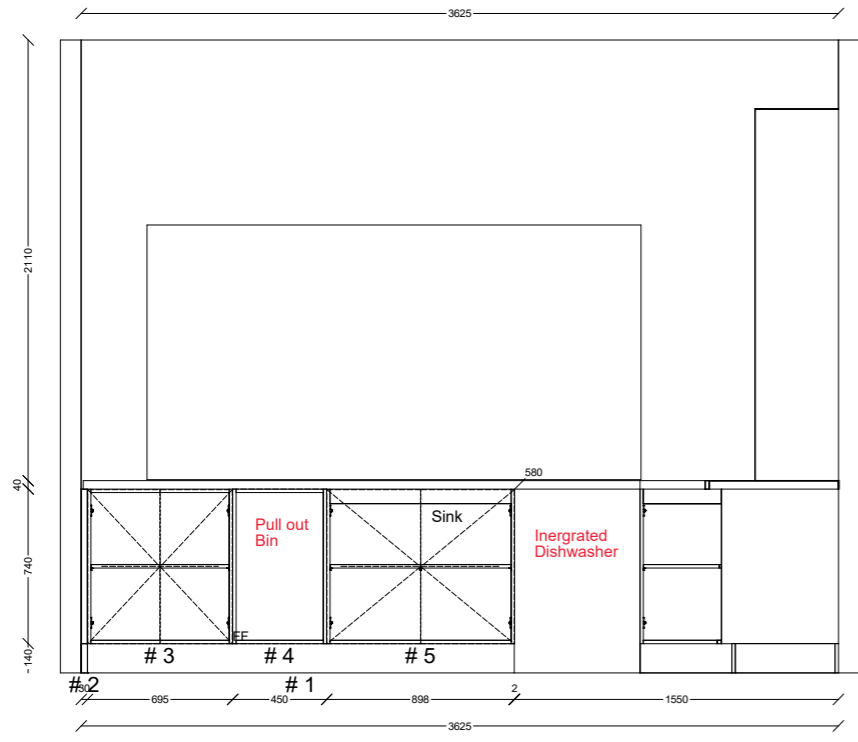
DAVICON Group  
 admin@davicongroup.com  
 Phone: 0433 261 558



- Approved
- Rejected (As Noted)

Name: Burwood Homes		Title: Default	
Address:		Scale:	Date:
City:	State:	DWG. By:	Sheet #
Job #: 322 Octagonal Cranbourne			Sheet 1

# Kitchen



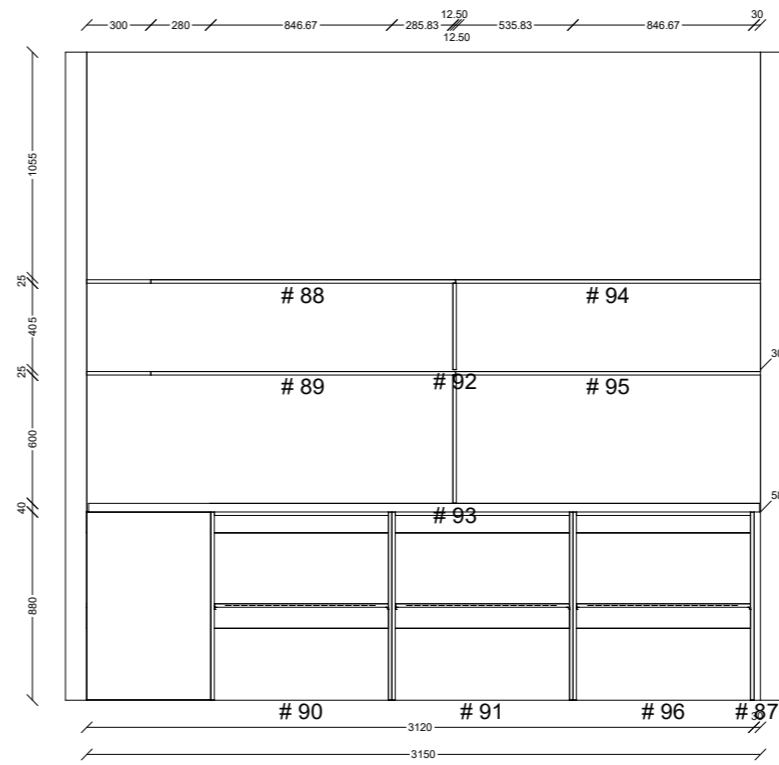
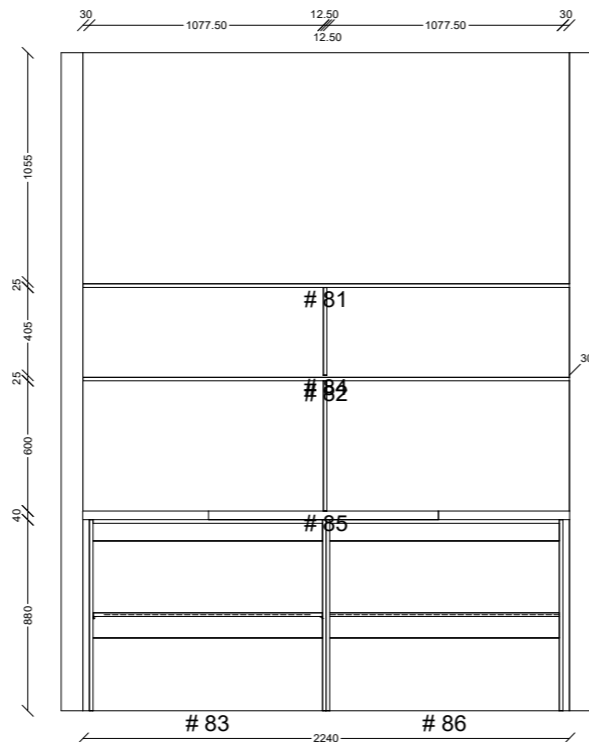
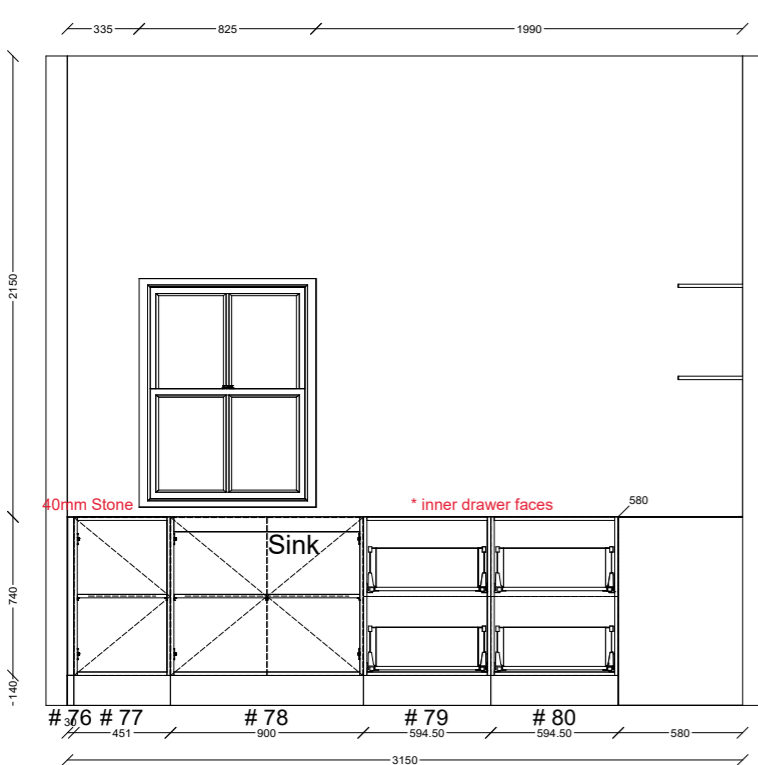
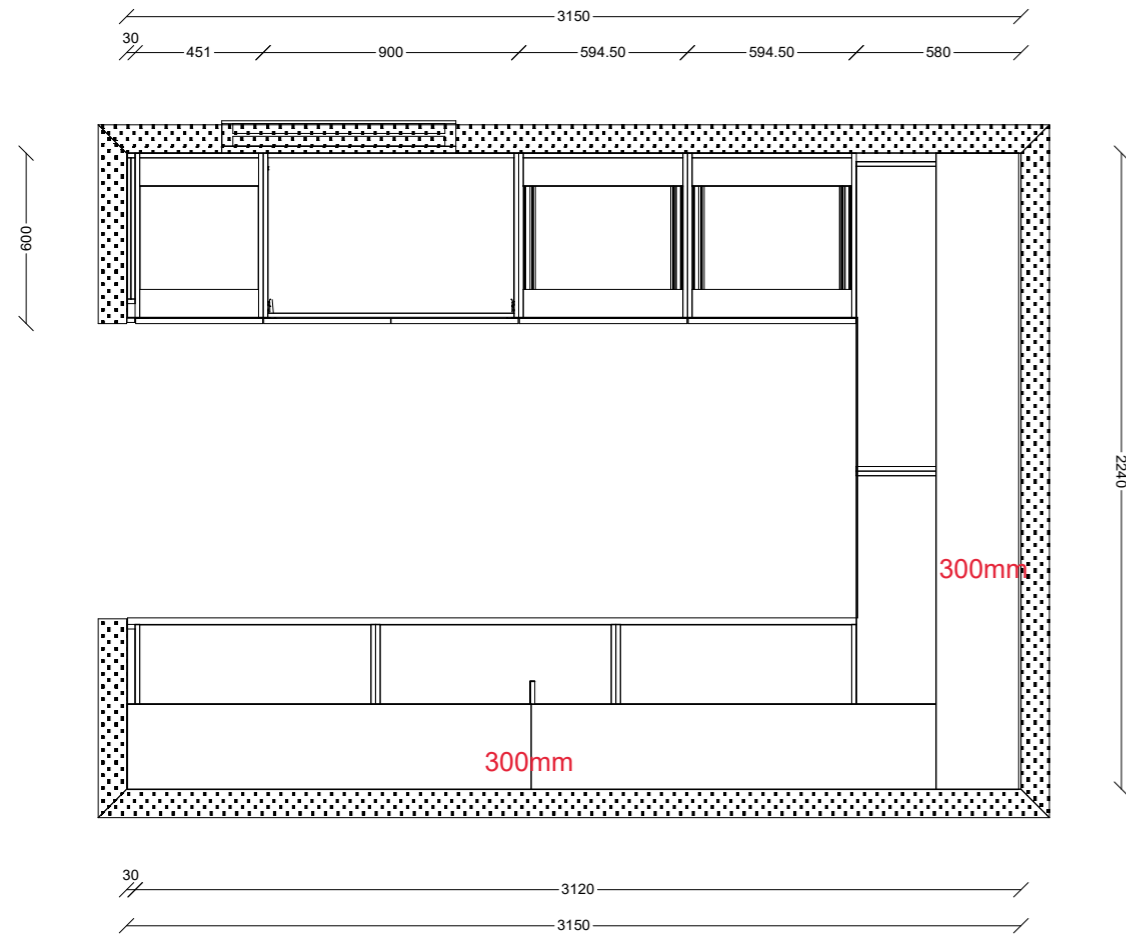
DAVICON Group  
 admin@davicongroup.com  
 Phone: 0433 261 558



Approved  
 Rejected (As Noted)

Name: Burwood Homes		Title: Default	
Address:		Scale:	Date:
City:	State:	DWG. By:	Sheet #
Job #: 322 Octagonal Cranbourne			Sheet 2

# Walk in Pantry



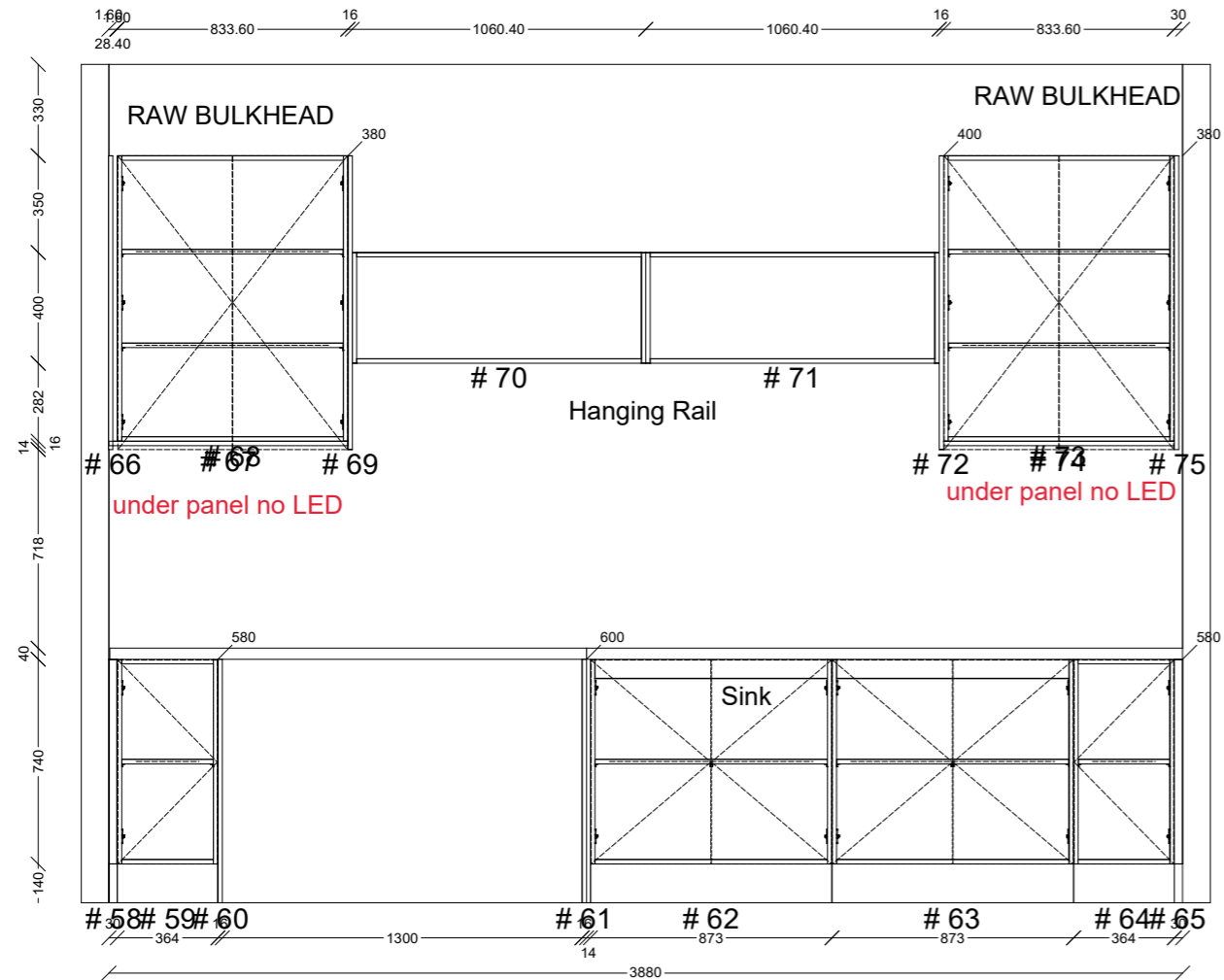
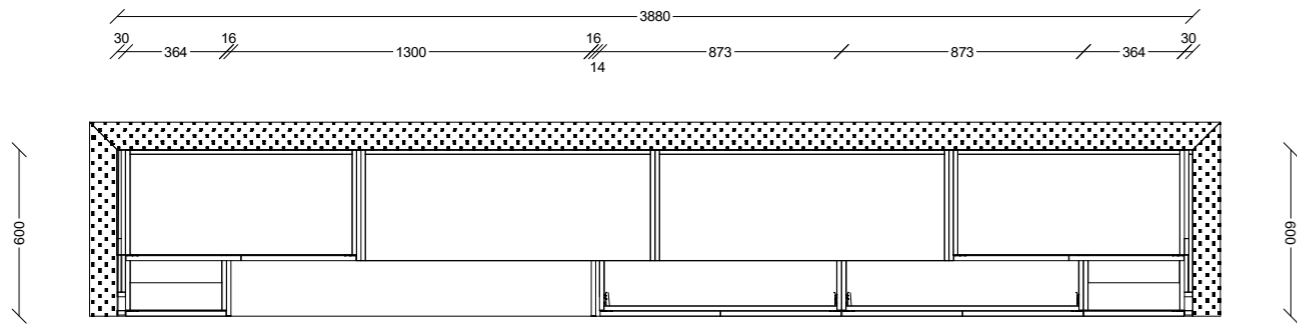
**DAVICON Group**  
 admin@davicongroup.com  
 Phone: 0433 261 558



Approved  
 Rejected (As Noted)

Name: Burwood Homes		Title: Default	
Address:		Scale:	Date:
City:	State:	DWG. By:	Sheet #
Job #: 322 Octagonal Cranbourne			Sheet 3

# Laundry



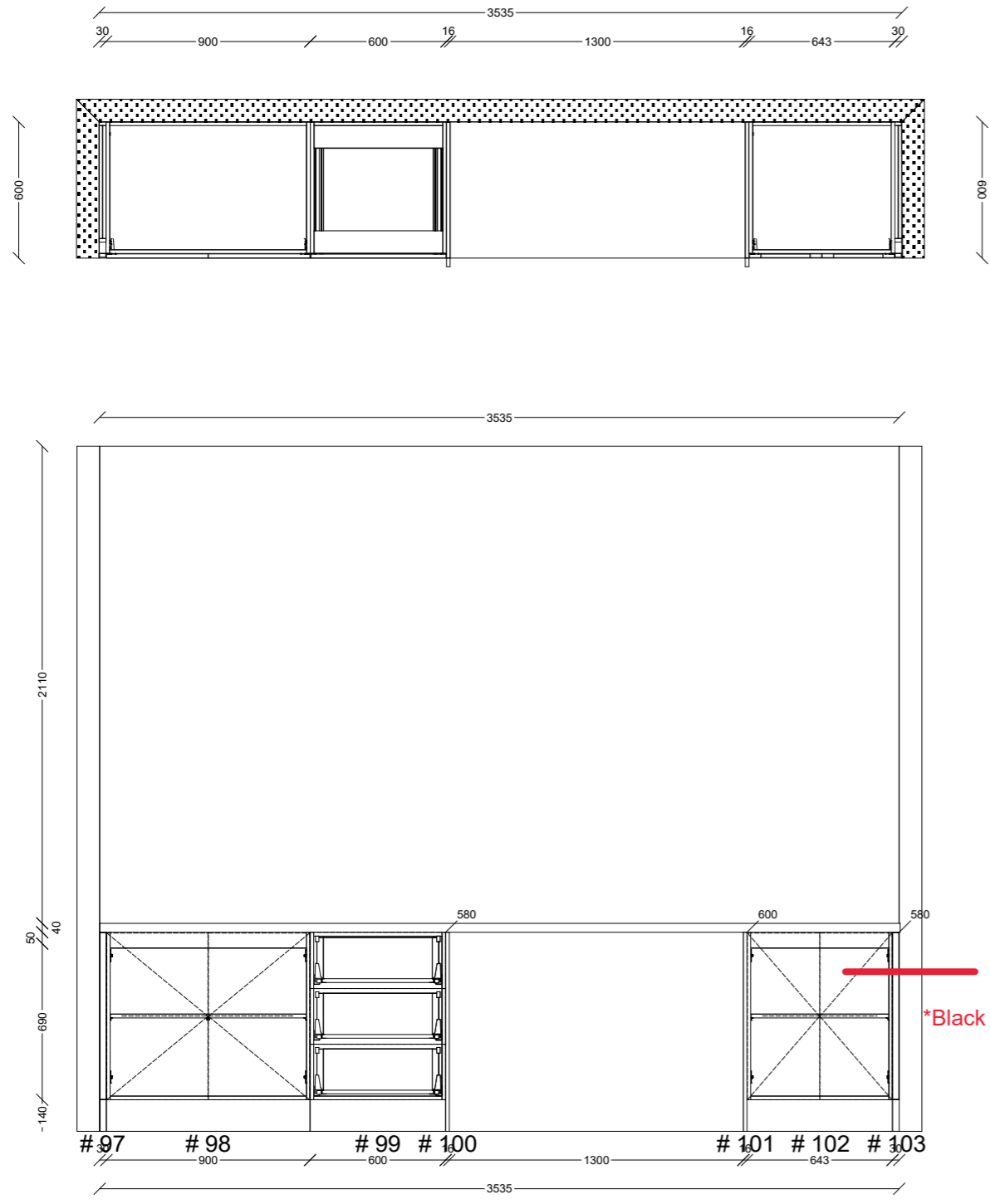
DAVICON Group  
 admin@davicongroup.com  
 Phone: 0433 261 558



Approved  
 Rejected (As Noted)

Name: Burwood Homes		Title: Default	
Address:		Scale:	Date:
City:	State:	DWG. By:	Sheet #
Job #: 322 Octagonal Cranbourne			Sheet 4

# Theater



Glass Doors  
no frame.  
\*Black Carcase board

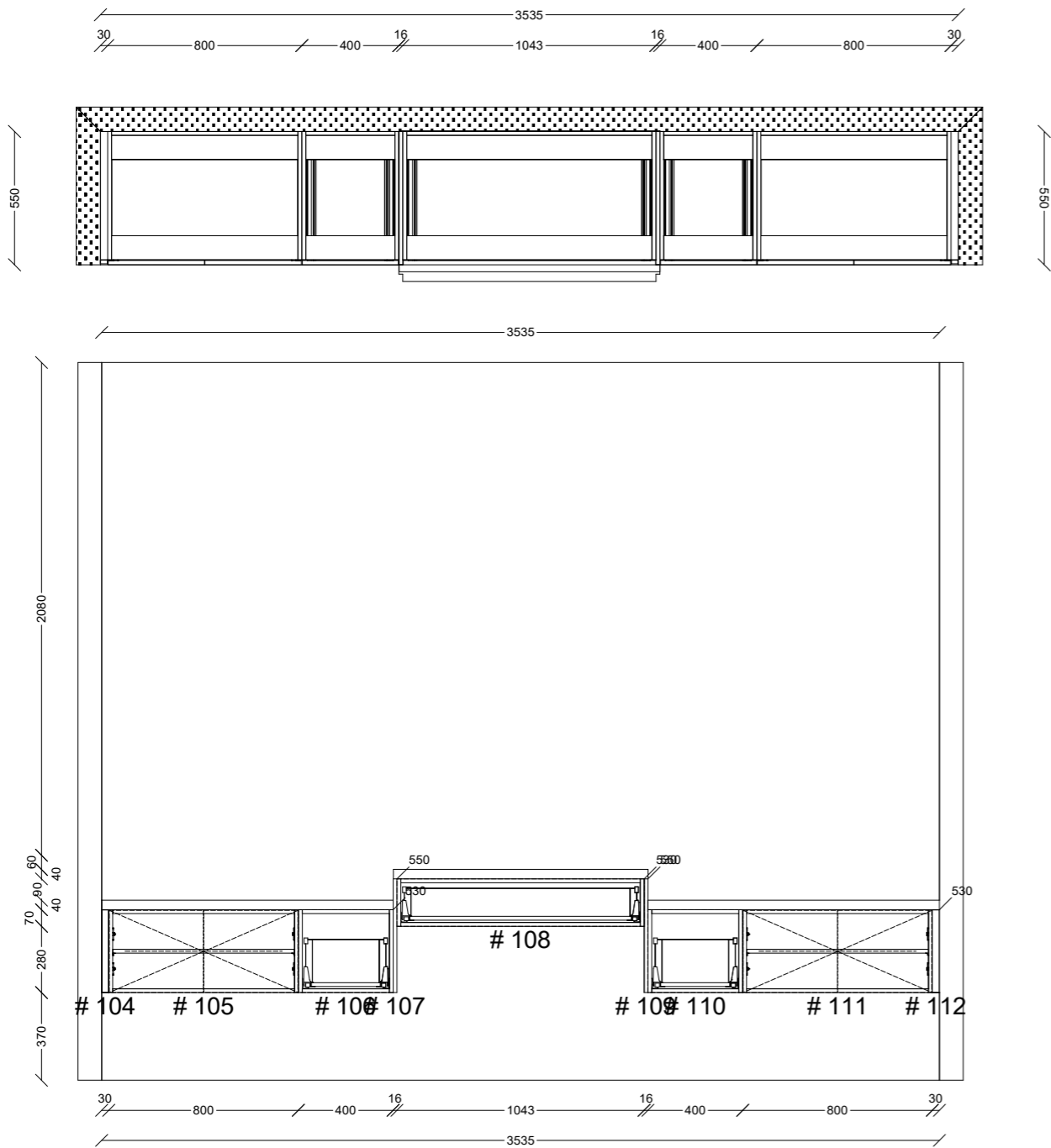
**DAVICON Group**  
admin@davicongroup.com  
Phone: 0433 261 558



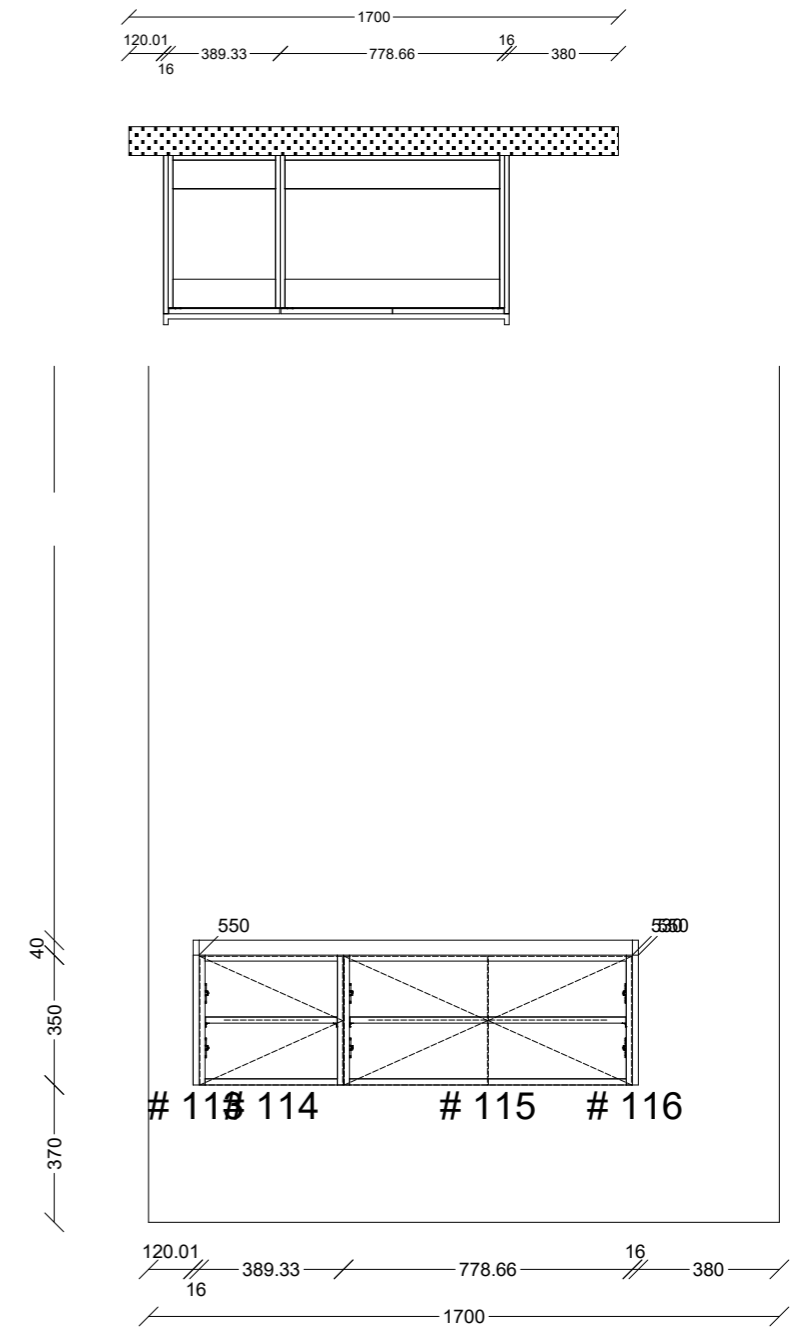
Approved  
 Rejected (As Noted)

Name: Burwood Homes		Title: Default	
Address:		Scale:	Date:
City:	State:	DWG. By:	Sheet #
Job #: 322 Octagonal Cranbourne			Sheet 5

# Master Ensuite



# Bathroom



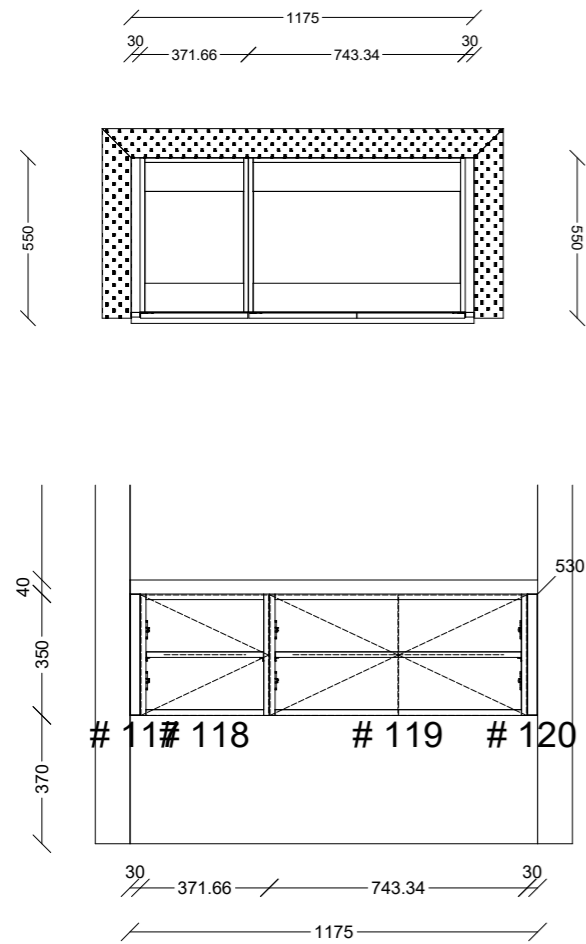
DAVICON Group  
 admin@davicongroup.com  
 Phone: 0433 261 558



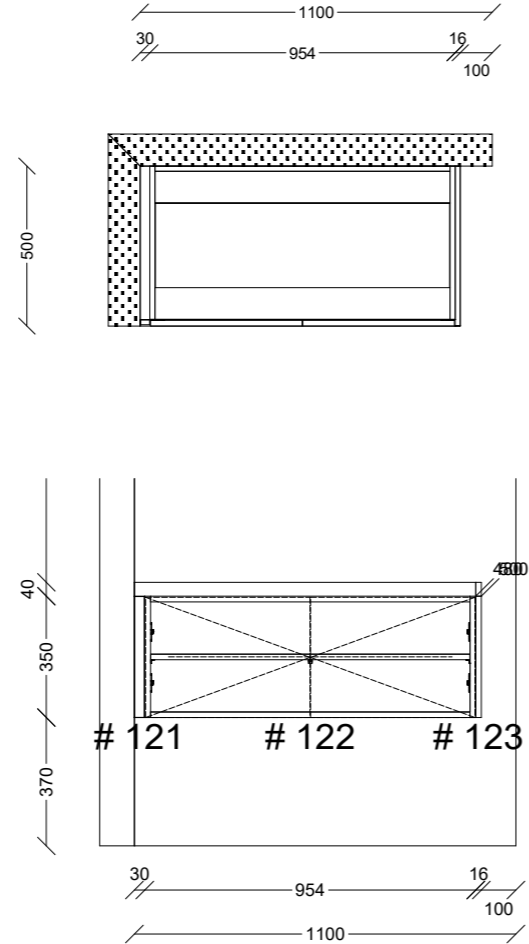
Approved  
 Rejected (As Noted)

Name: Burwood Homes		Title: Default	
Address:		Scale:	Date:
City:	State:	DWG. By:	Sheet #
Job #: 322 Octagonal Cranbourne			Sheet 6

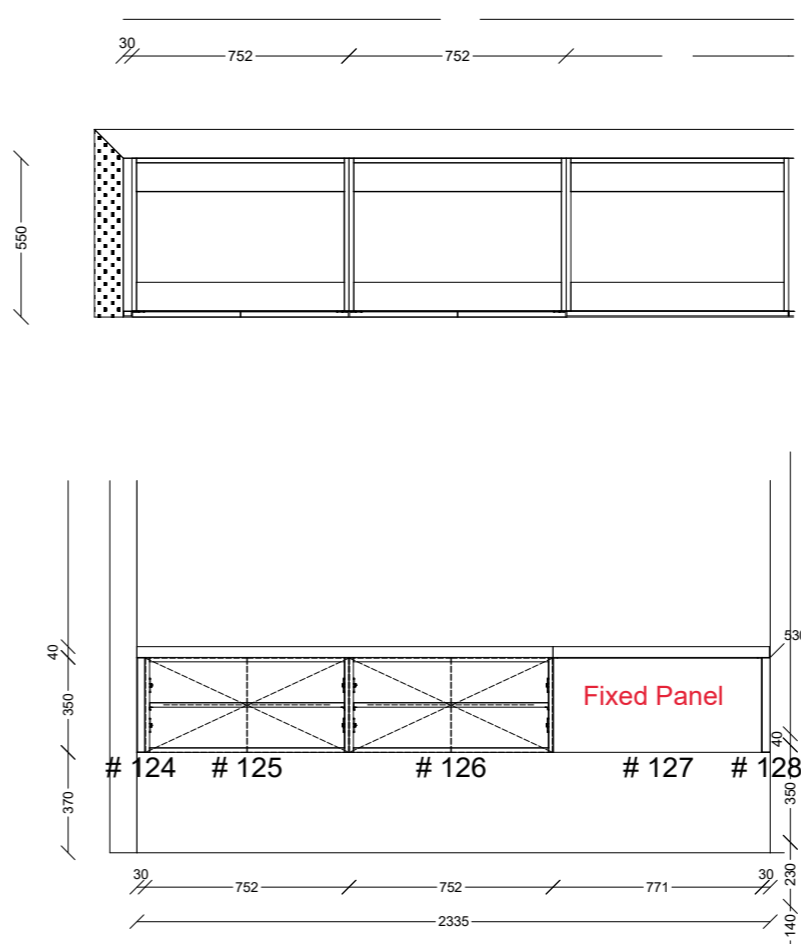
### WC



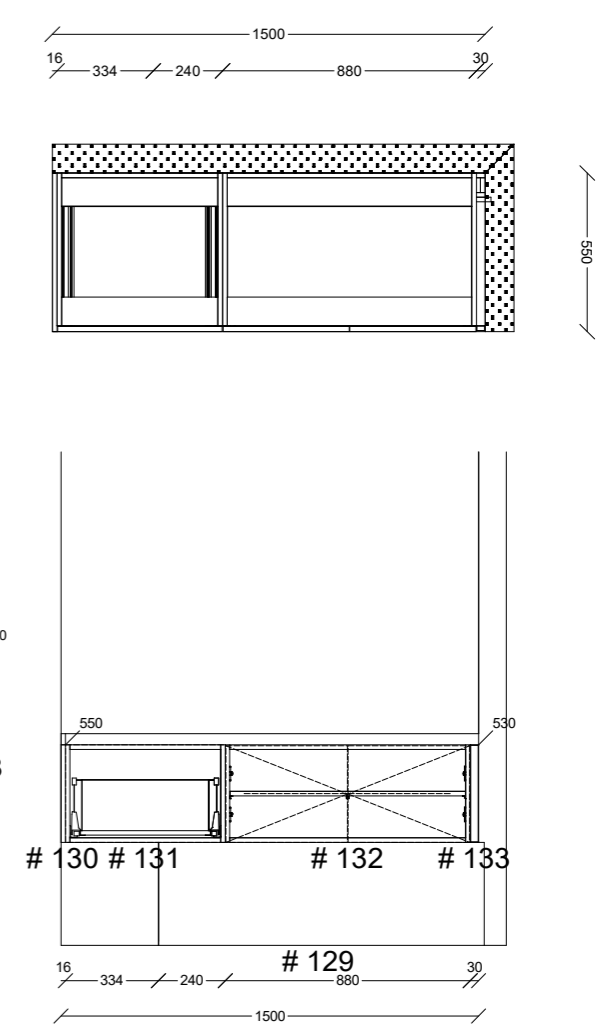
### Bed 4



### Powder Rm



### Guest Ensuite



Approved

Rejected (As Noted)

Name: Burwood Homes		Title: Default	
Address:		Scale:	Date:
City:	State:	DWG. By:	Sheet #
Job #: 322 Octagonal Cranbourne			Sheet 7