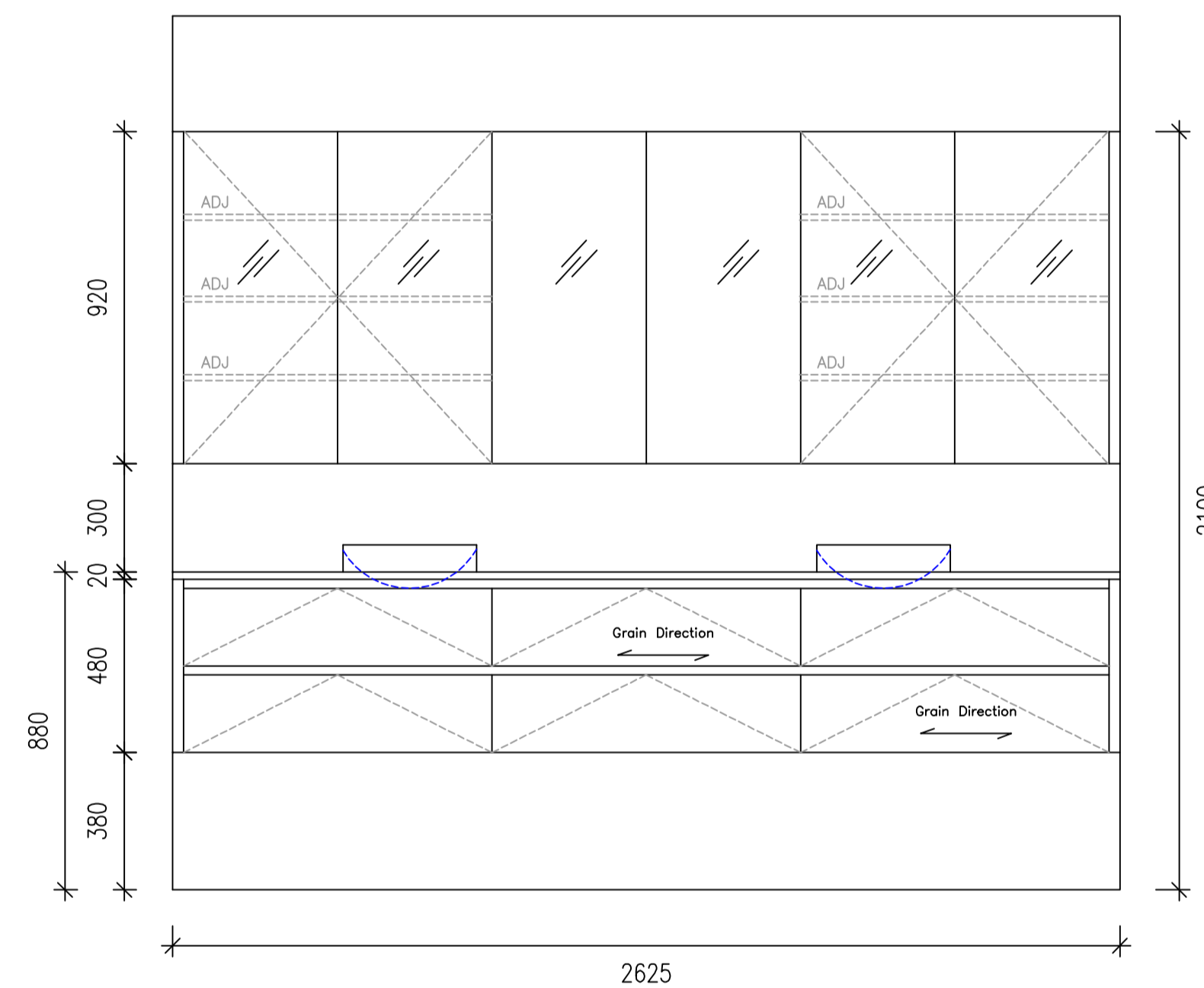
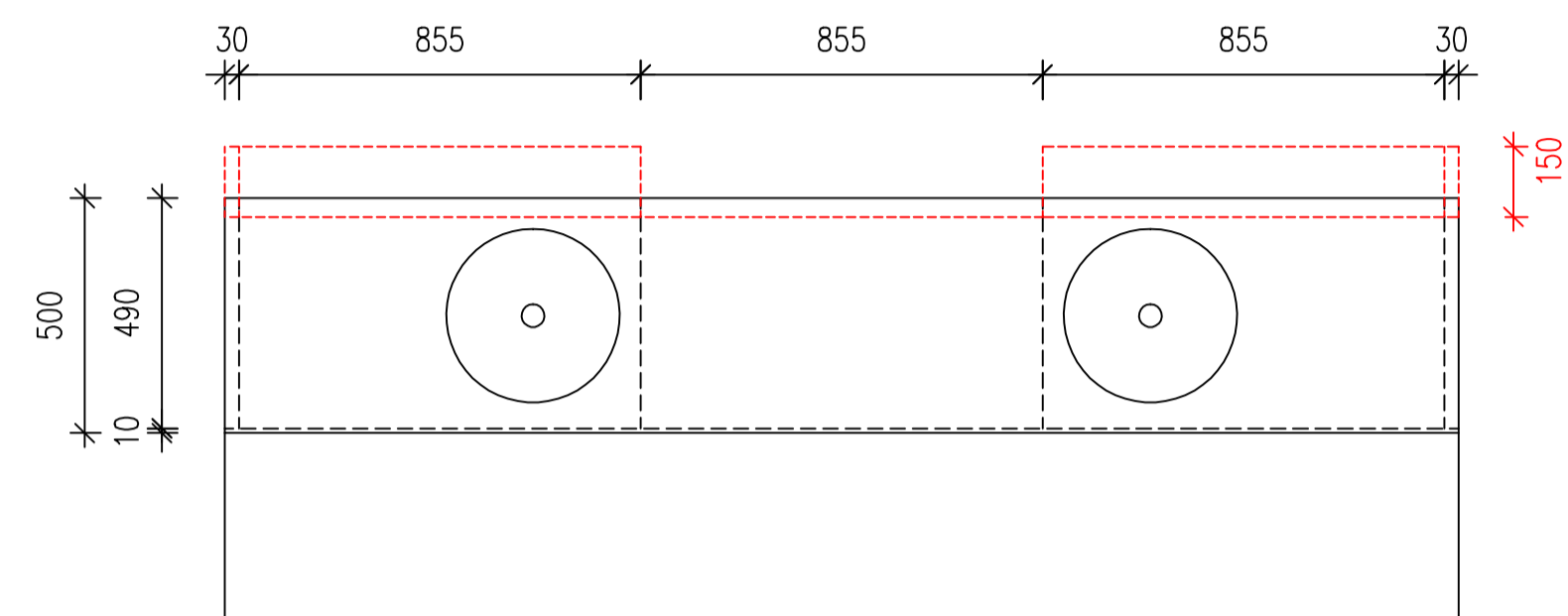


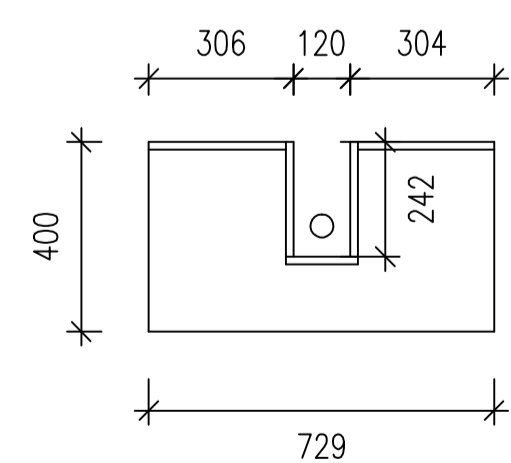
**ON HOLD WAITING FOR APPROVAL**



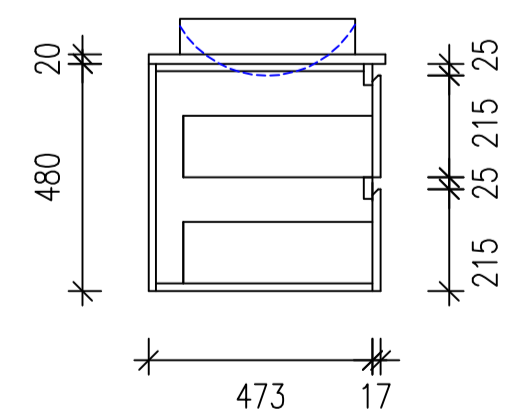
**POWDER ROOM**

**BATHROOM**

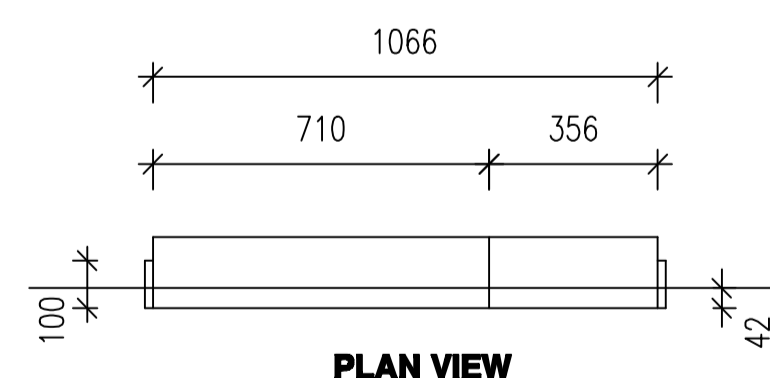
**ENSUITE**



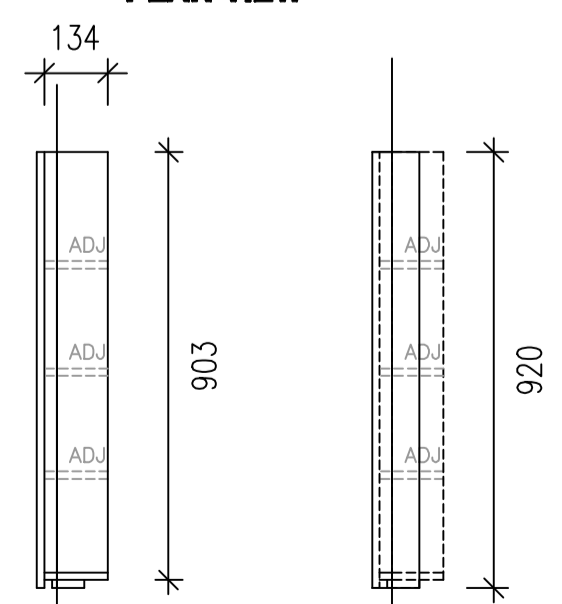
**TOP DRAWER BOX  
BOTTOM DETAIL**



**DRAWER SET OUT WITH  
SHARKNOSE FINGER  
PULL DETAIL**



**PLAN VIEW**



**SECTION  
THROUGH**

**SIDE VIEW**

**FINISHES**

- ◊ S1 20mm ORGANIC WHITE STONE TOP
- ◊ T1 19mm BLACKBUTT TIMBER VENEER CROWN QUARTER CUT  
MISMATCHED NO BORER HOLES FISHED IN 2 PAC CLAER SATIN

**JO'S MAKEOVERS**



PROJECT: 7 BATTEN PLACE  
ASPENDALE GARDENS

Drawing Title : VANITIES  
Date: 07/06/2023  
Drawing No. A1  
Revision : 0  
Drawn: AC

PLANS INSPECTED AND  
APPROVED FOR CONSTRUCTION  
NAME \_\_\_\_\_  
SIGNED \_\_\_\_\_  
DATED / /