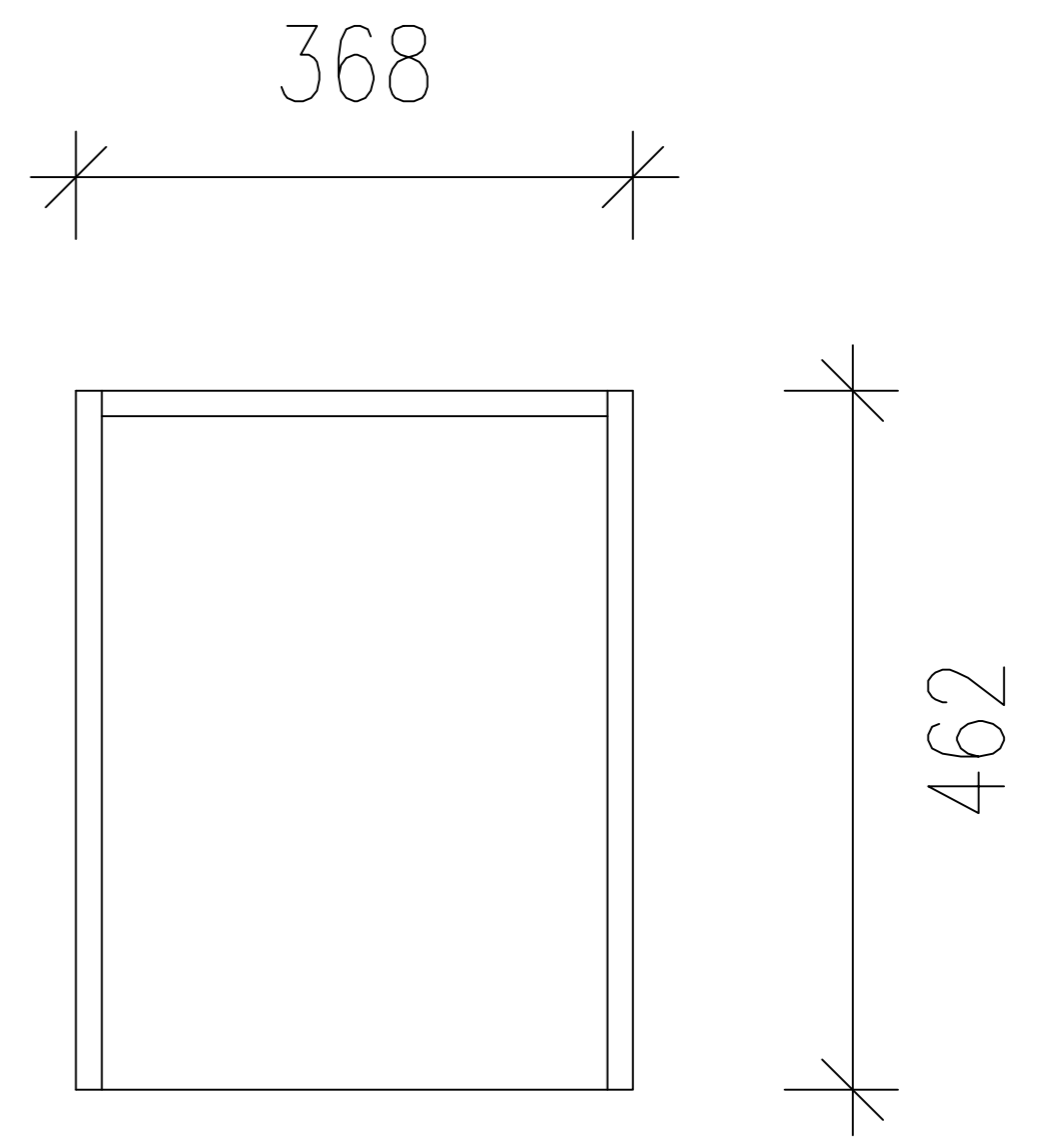
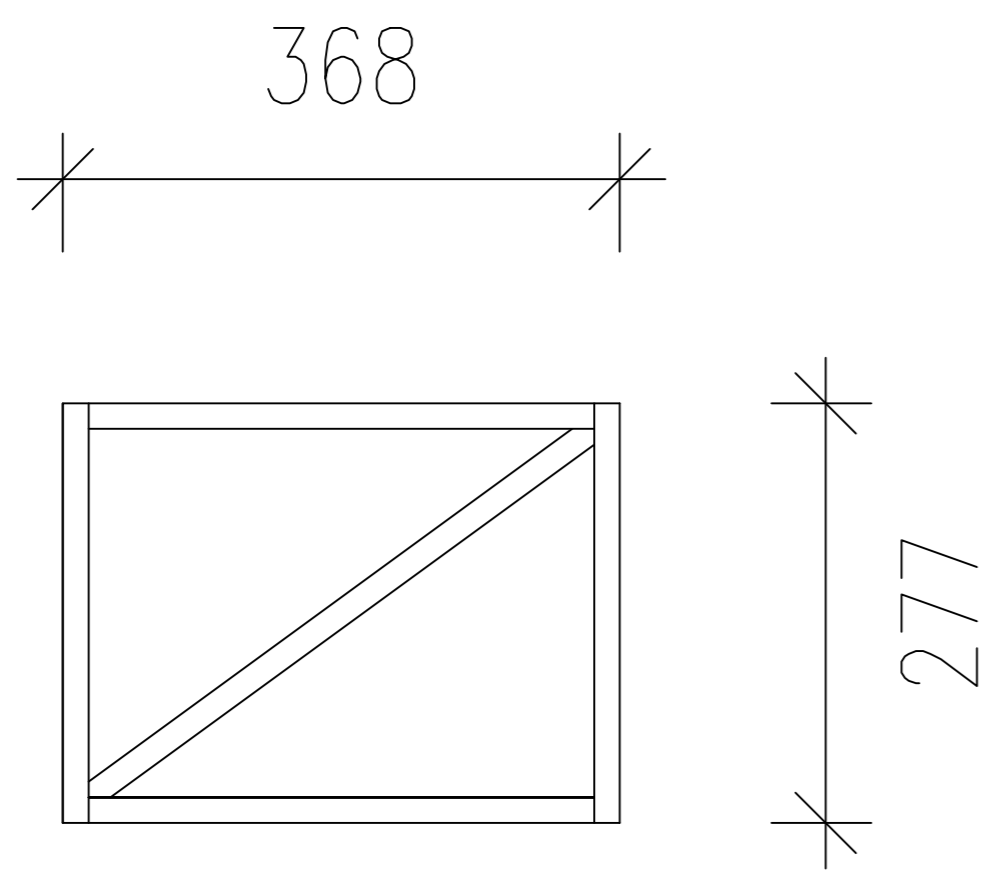


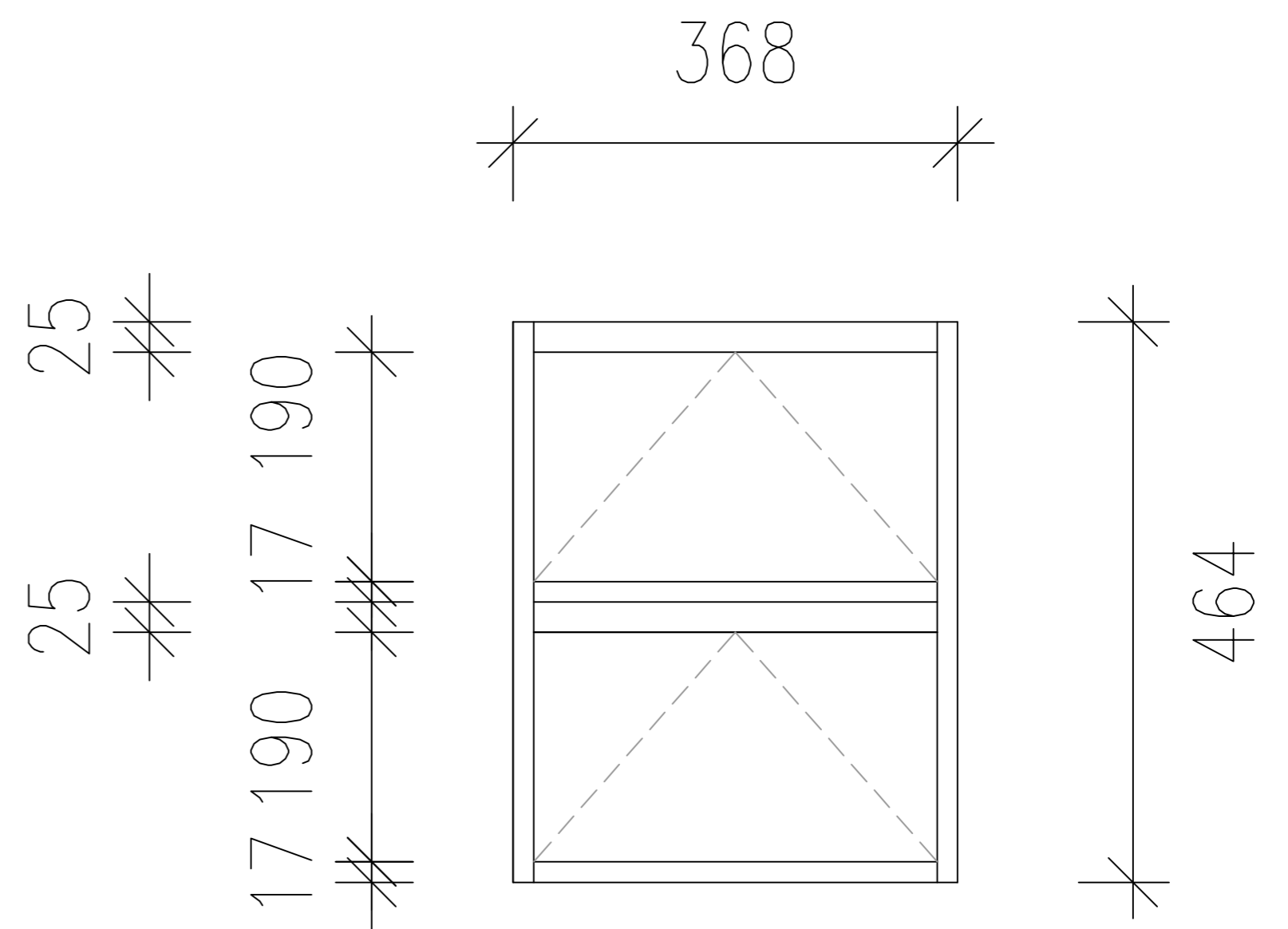
**PLAN VIEW**



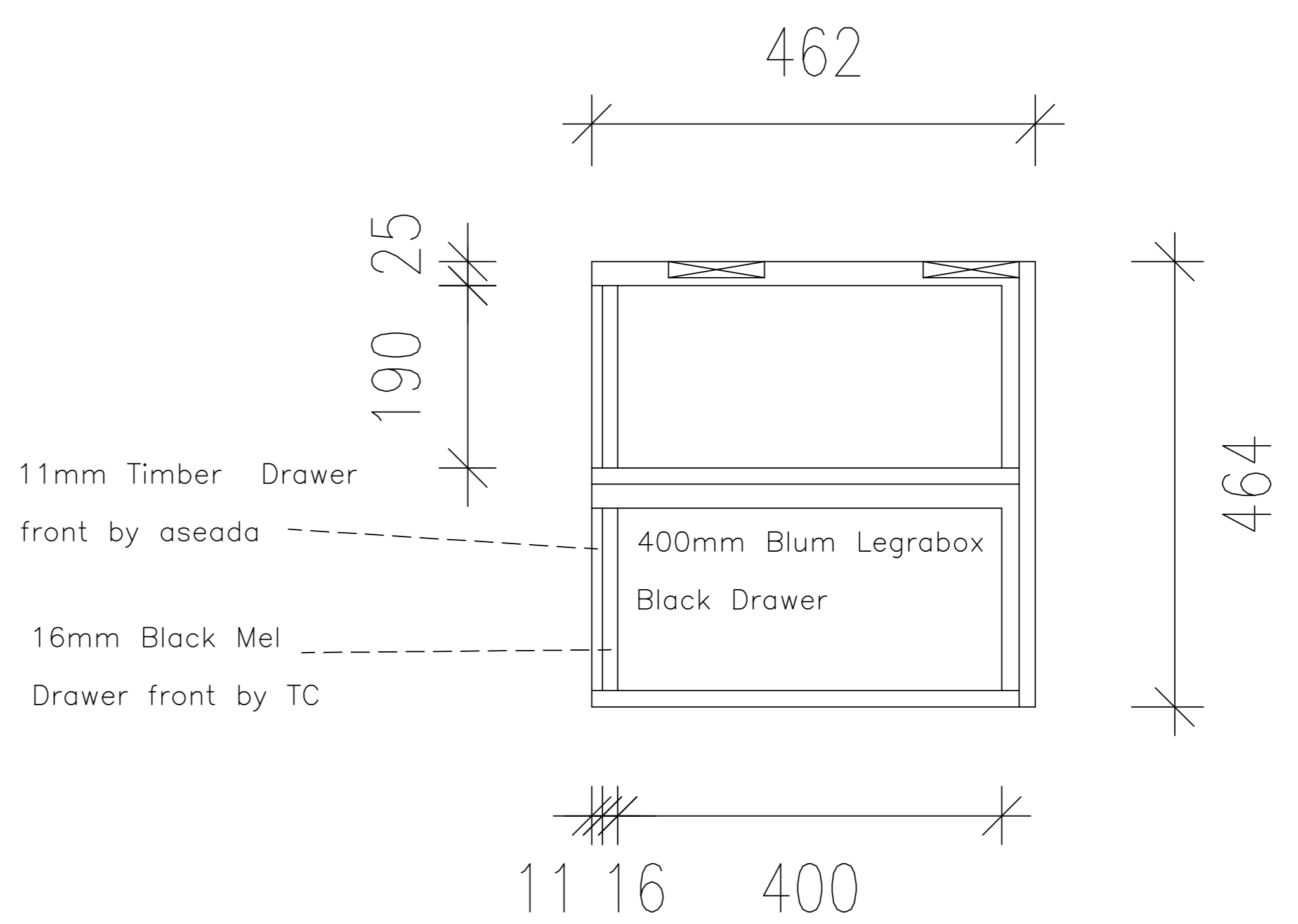
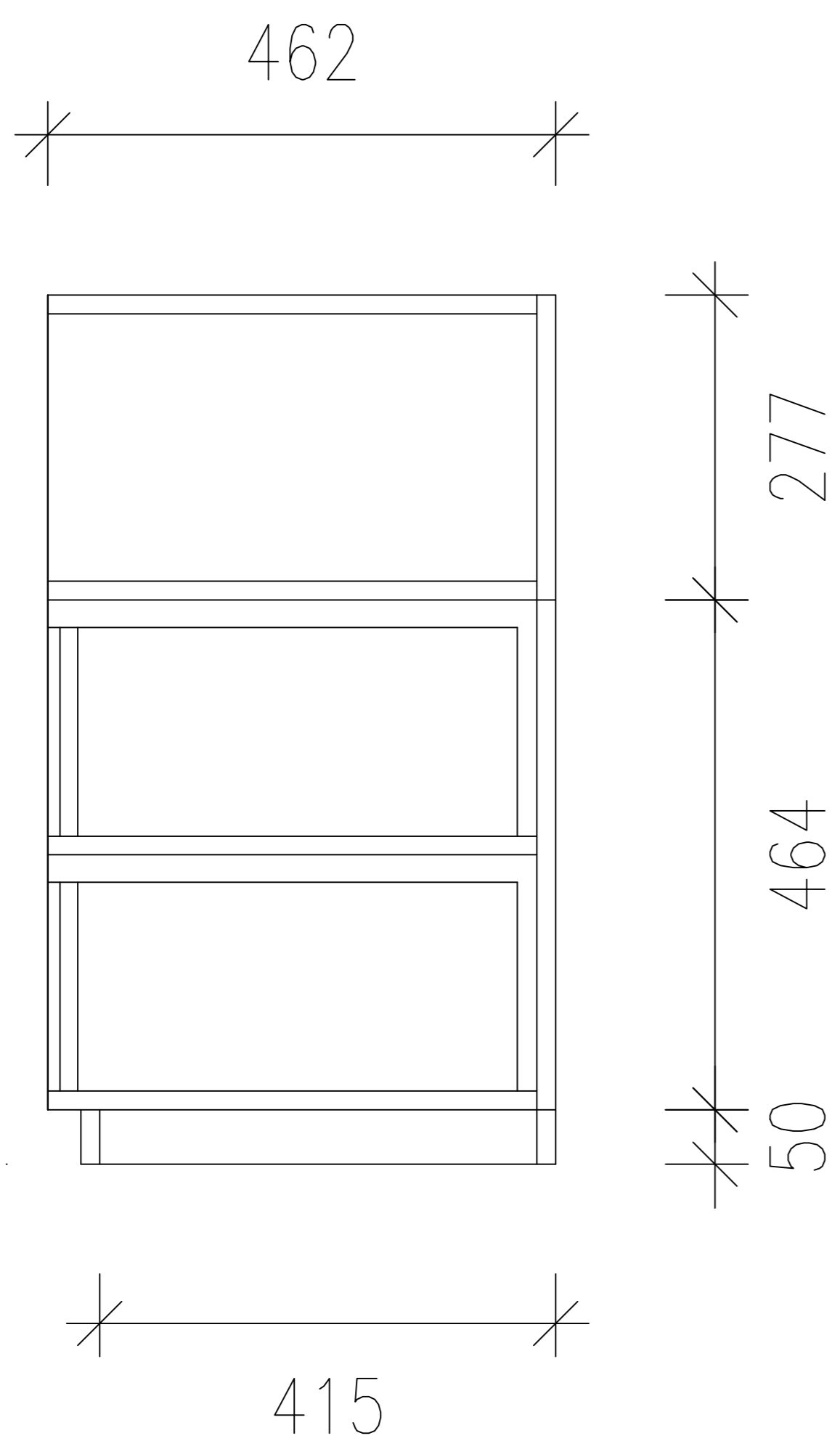
**PLAN VIEW**



**FRONT ELEVATION**



**FRONT ELEVATION**



**SECTION THROUGH**