

Client: Door and panels style/color: BLACK HMR

Room: SHAVING CAB 1

Benchtop Colour: N/A

Drawer slides: N/A

Carcass: BLACK HMR

Sheet 1 of 2

Date: 31/08/23

Address: SANDLEWOOD

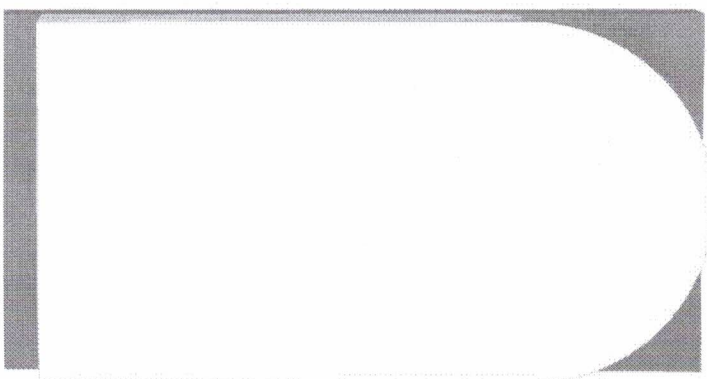
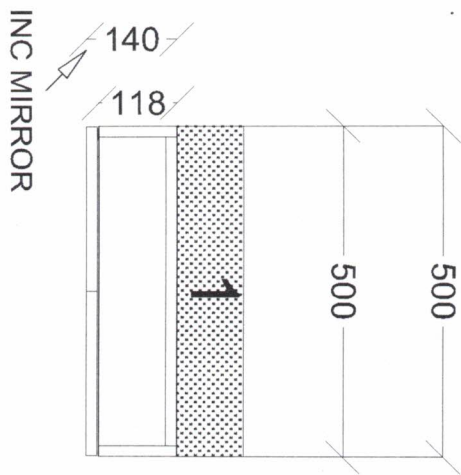
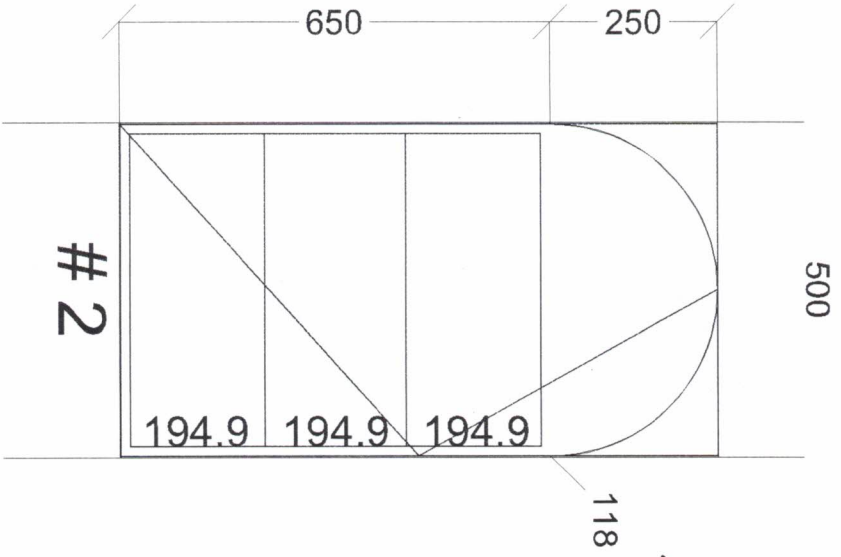
Handles Item No.: N/A

Approved by:

*Wootli*



CONNECT KITCHENS



CONNECT KITCHENS

Client:

Door and panels style/colour: BLACK HMR

Sheet 2 of 2

Room: SHAVING CAB 2 ENSUITE

Benchtop Colour: N/A

Drawer slides: N/A

Carcass: BLACK HMR

Date: 31/08/23

Address: SANDLEWOOD

Handles Item No: N/A

Approved by:

*M. Patel*