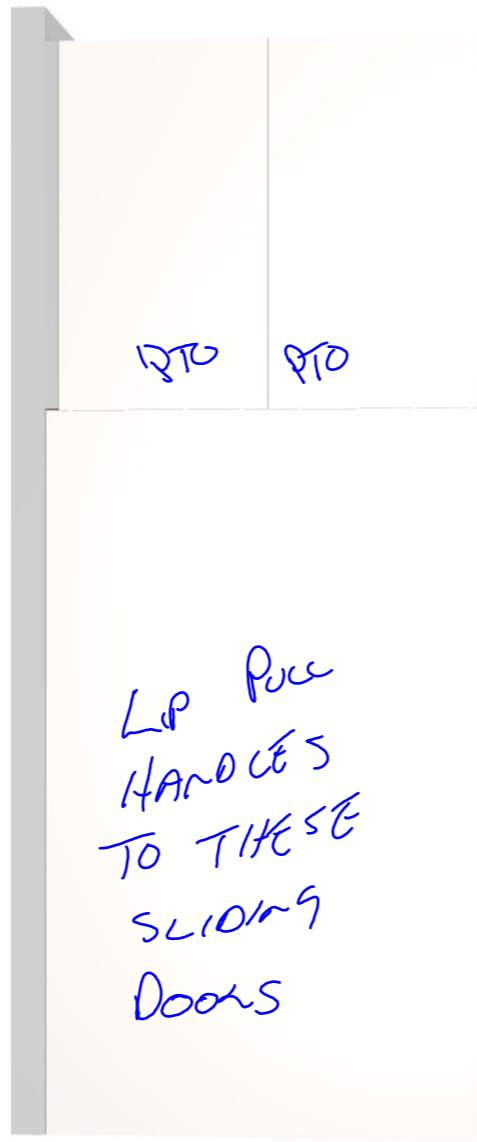
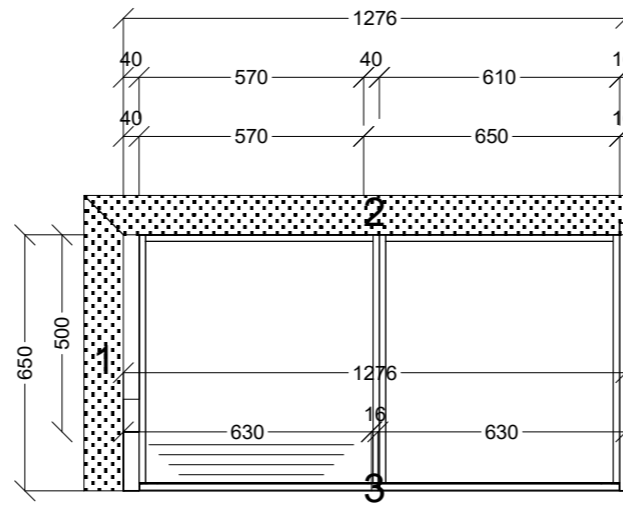
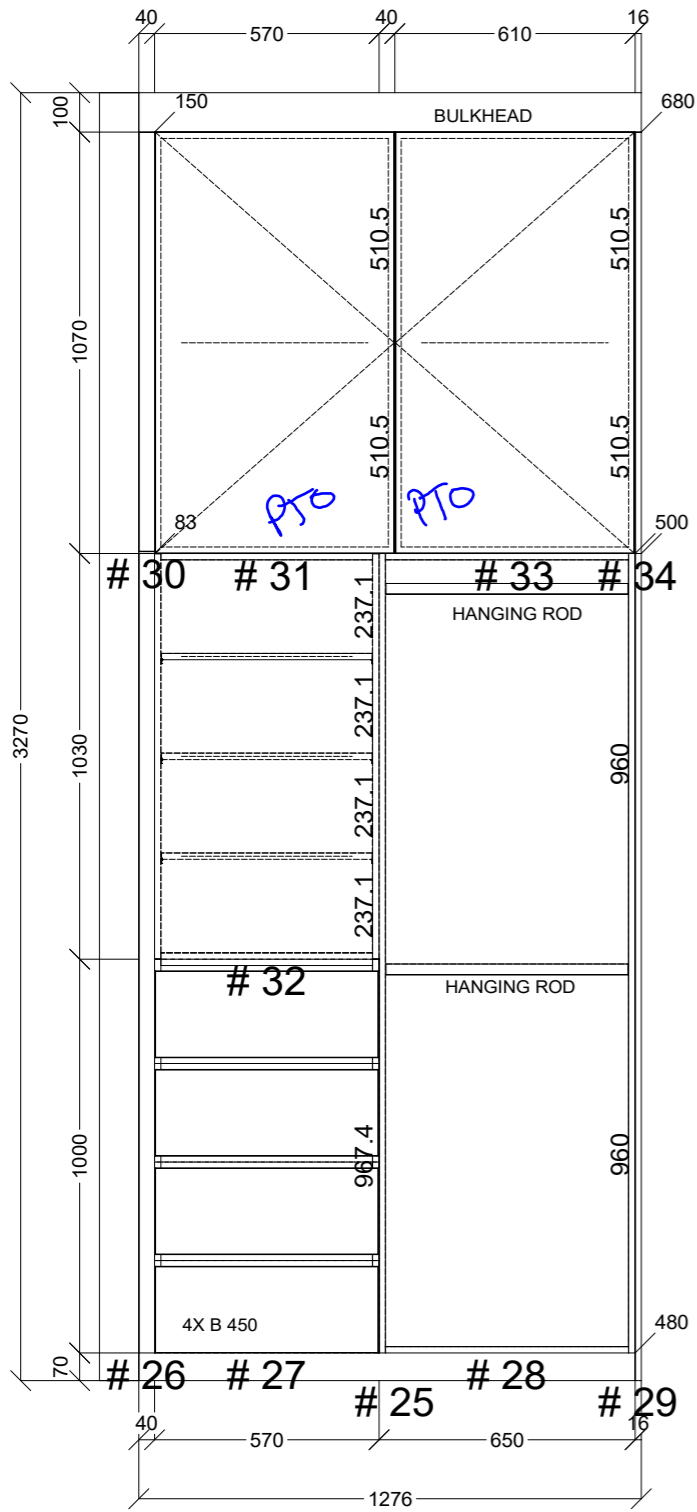



|   |                    |                |  |              |                             |
|---|--------------------|----------------|--|--------------|-----------------------------|
|   | Client: SETH       |                | Door and panels style/colour: CLASSIC WHITE MATT |              | Sheet 2 of 3                |
|   | Room: BED 2 ROBE   |                | Benchtop Colour: N/A                             |              | Drawer slides: DTC SMOOTH   |
|   | Carcass: WHITE HMR |                | Date: 29/08/23                                   |              | Address: 11 LINDA ST COBURG |
| Handles Item No: PUSH TO OPEN/ HANDLE TBA |                    | FEN .100 WHITE |  | Approved by: |                             |



|  |                    |              |  |               |                             |
|--|--------------------|--------------|--|---------------|-----------------------------|
|  | Client: SETH       |              | Door and panels style/colour: CLASSIC WHITE MATT |               | Sheet 3 of 3                |
|  | Room: BED 3 ROBE   |              | Benchtop Colour: N/A                             |               | Drawer slides: DTC SMOOTH   |
|  | Carcass: WHITE HMR |              | Date: 29/08/23                                   |               | Address: 11 LINDA ST COBURG |
| Handles Item No: PUSH TO OPEN  |                    | Approved by: |  | FEN.100 WHITE |                             |