

CABINET INTERNALS:
 16MM WHITE MELAMINE-1MM EDGING

DOORS AND PANELS:
 18MM MDF DOORS- 2 PAC FINISH
 SHAKER STYLE DOORS-
 60MM RAILS- 5MM POCKET

DRAWER RUNNERS:
 BLUM MERIVO

HANDLES T.B.A

BENCHTOP :
 20MM STONE

Title. 132-134 SHETLAND HEIGHTS Rd. SAN REMO

Sheet No. 1 of 6

Customer Name: KITCHEN

Date: 20/03/23

Customer Address:

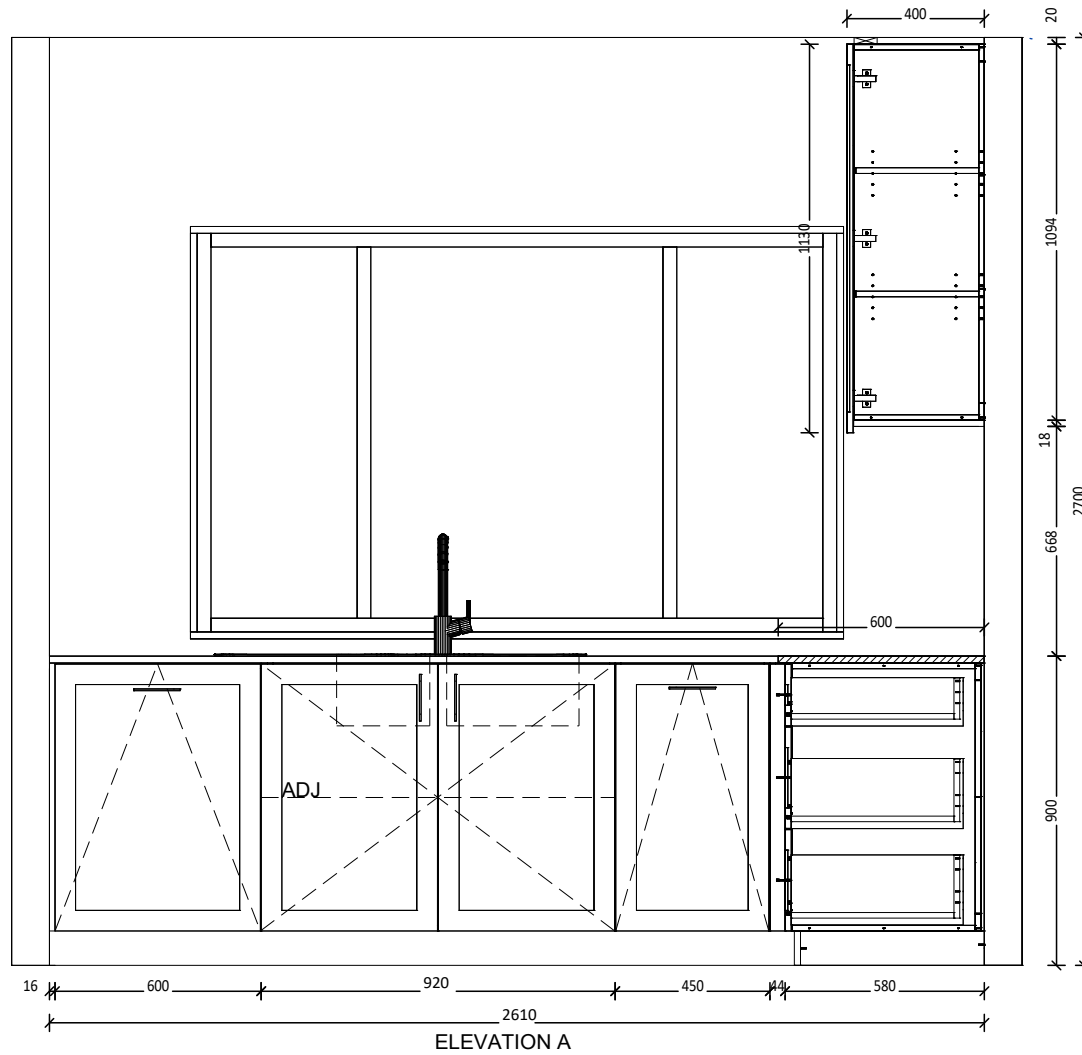
Designed By:

Site Address:

Sheet Size: A4 (297 x 210)

T: M: E:

DIMENSIONS IN MILLIMETRES



Title. 132-134 SHETLAND HEIGHTS Rd. SAN REMO

Customer Name: KITCHEN

Customer Address:

Site Address:

T: M: E:

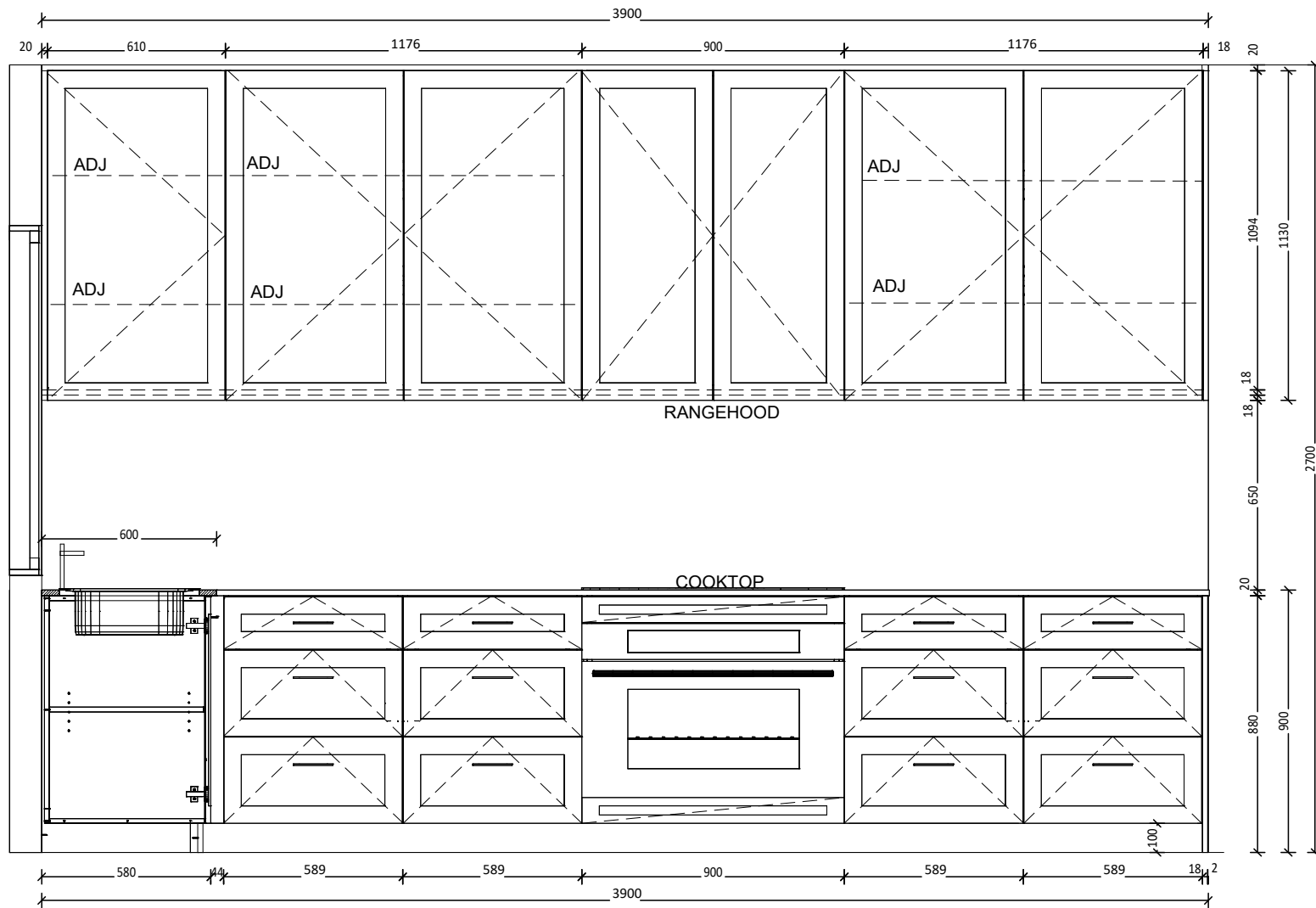
Sheet No. 2 of 6

Date: 20/03/23

Designed By:

Sheet Size: A4 (297 x 210)

DIMENSIONS IN MILLIMETRES



ELEVATION B

Title. 132-134 SHETLAND HEIGHTS Rd. SAN REMO

Customer Name: KITCHEN

Customer Address:

Site Address:

T: M: E:

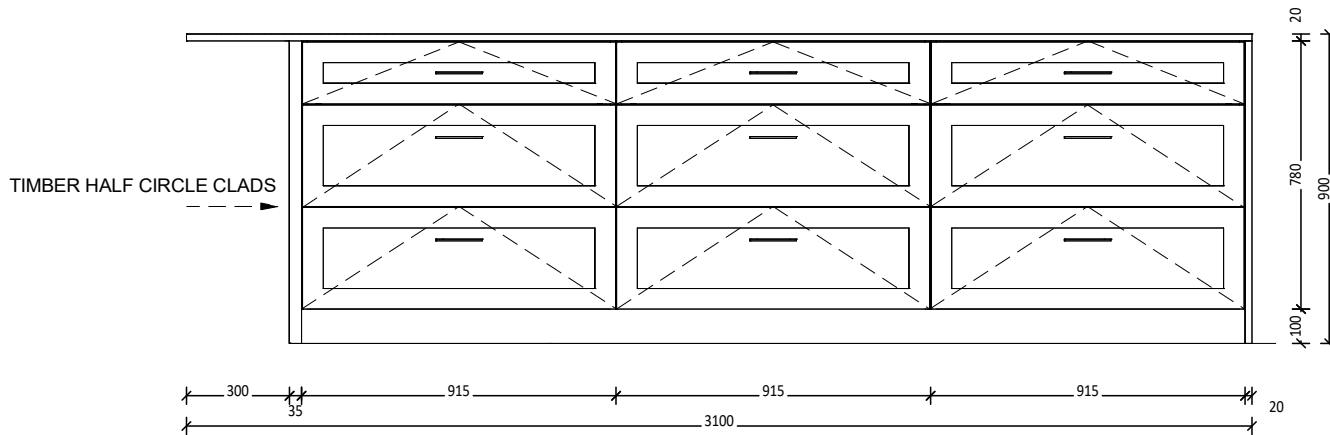
Sheet No. 3 of 6

Date: 20/03/23

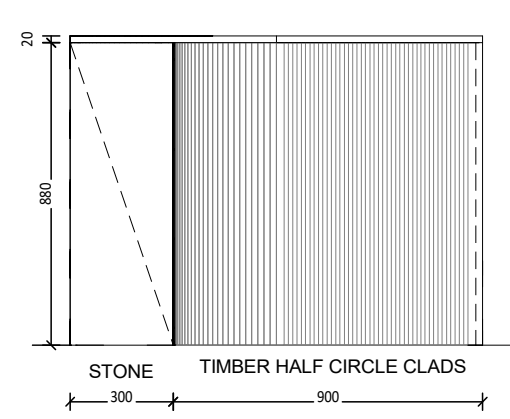
Designed By:

Sheet Size: A4 (297 x 210)

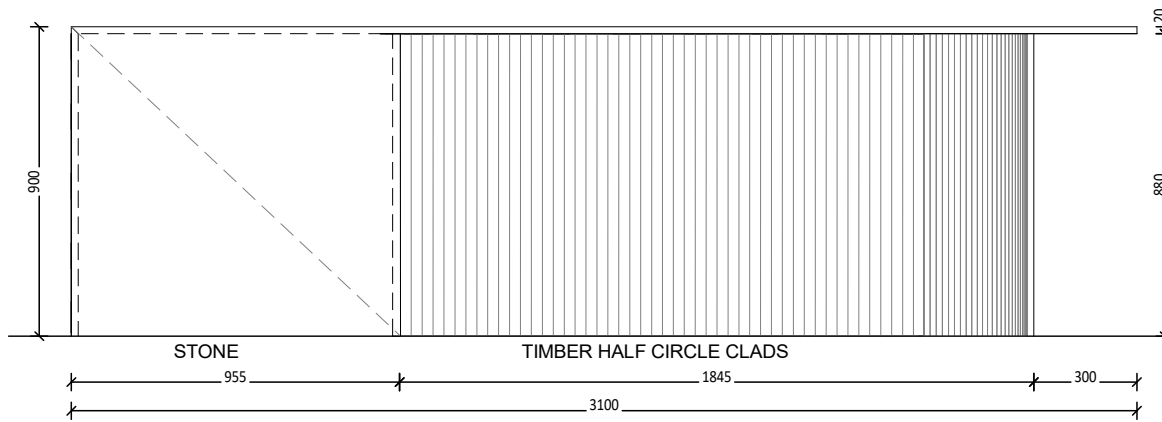
DIMENSIONS IN MILLIMETRES



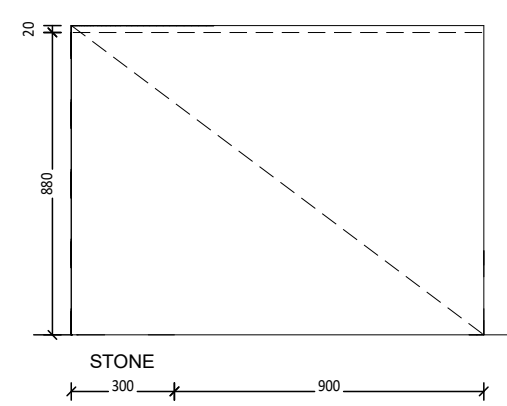
ELEVATION C



ELEVATION D



ELEVATION E



ELEVATION F

Title. 132-134 SHETLAND HEIGHTS Rd. SAN REMO

Customer Name: KITCHEN

Customer Address:

Site Address:

T: M: E:

Sheet No. 4 of 6

Date: 20/03/23

Designed By:

Sheet Size: A4 (297 x 210)

DIMENSIONS IN MILLIMETRES



Title. 132-134 SHETLAND HEIGHTS Rd. SAN REMO

Customer Name: KITCHEN

Customer Address:

Site Address:

T: M: E:

Sheet No. 5 of 6

Date: 20/03/23

Designed By:

Sheet Size: A4 (297 x 210)

DIMENSIONS IN MILLIMETRES



Title. 132-134 SHETLAND HEIGHTS Rd. SAN REMO

Customer Name: KITCHEN

Customer Address:

Site Address:

T: M: E:

Sheet No. 6 of 6

Date: 20/03/23

Designed By:

Sheet Size: A4 (297 x 210)

DIMENSIONS IN MILLIMETRES