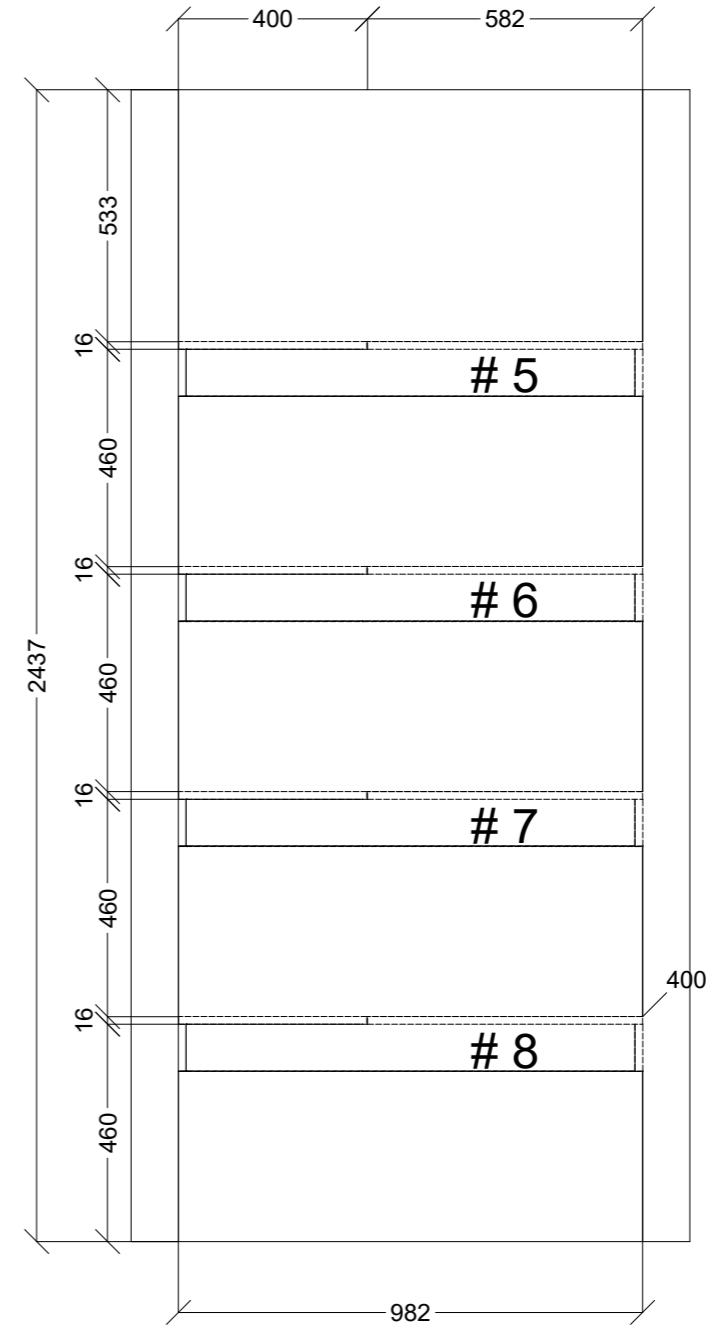
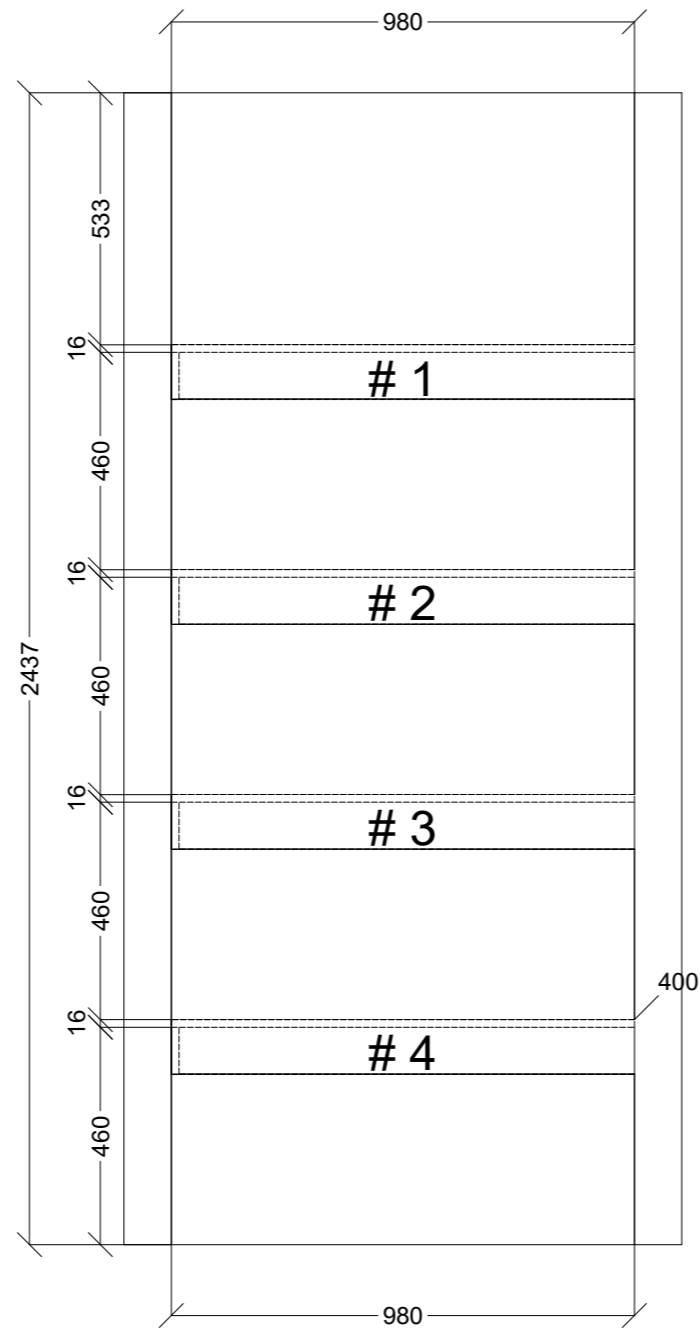
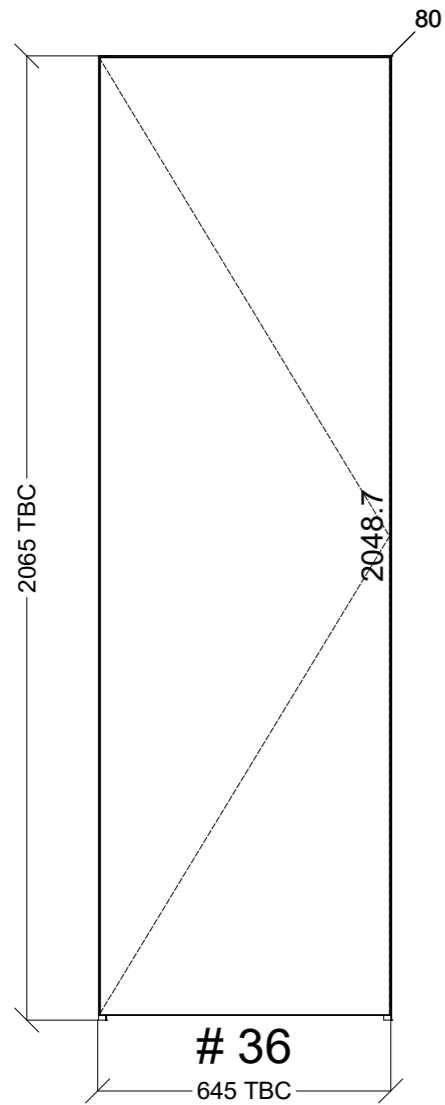

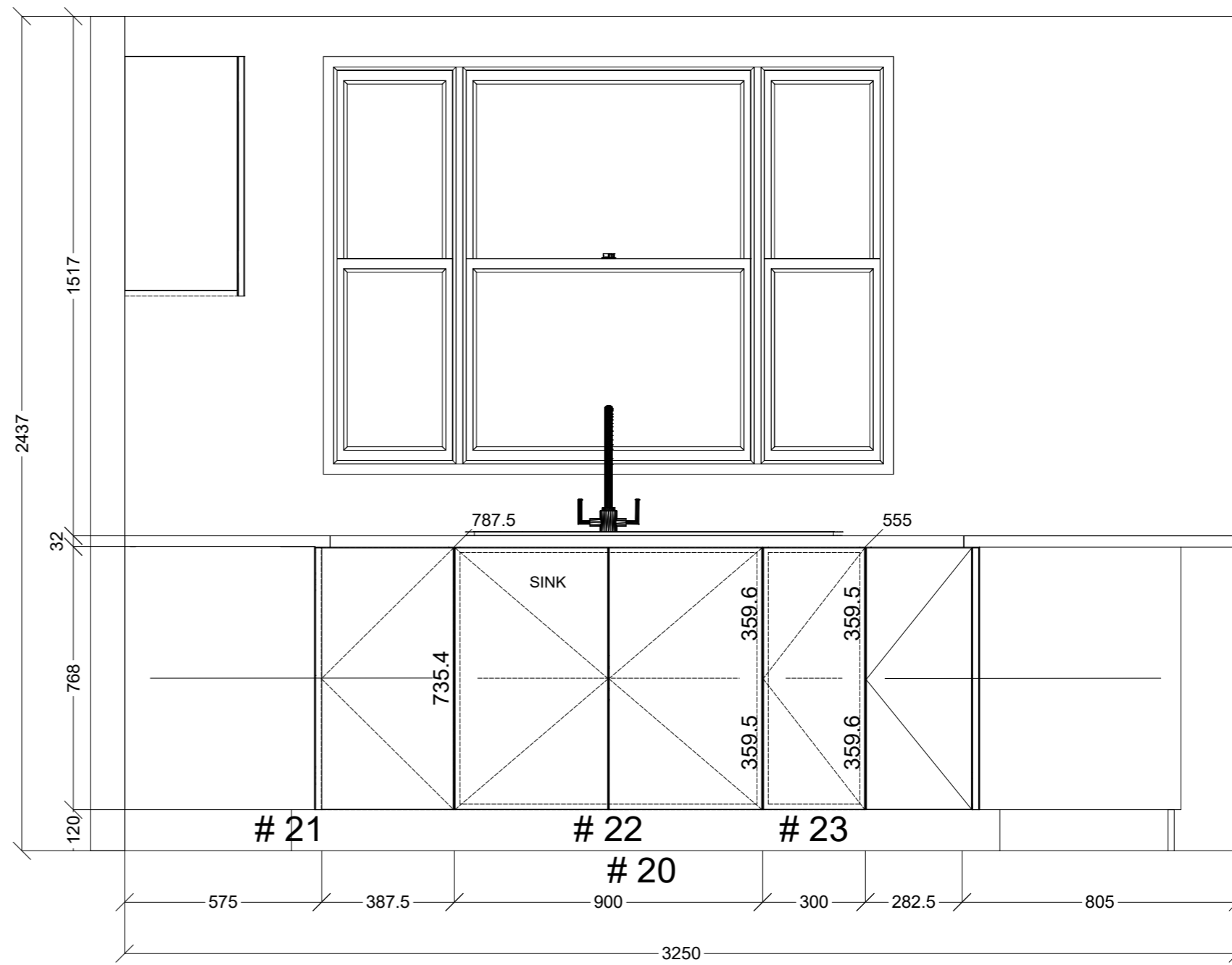
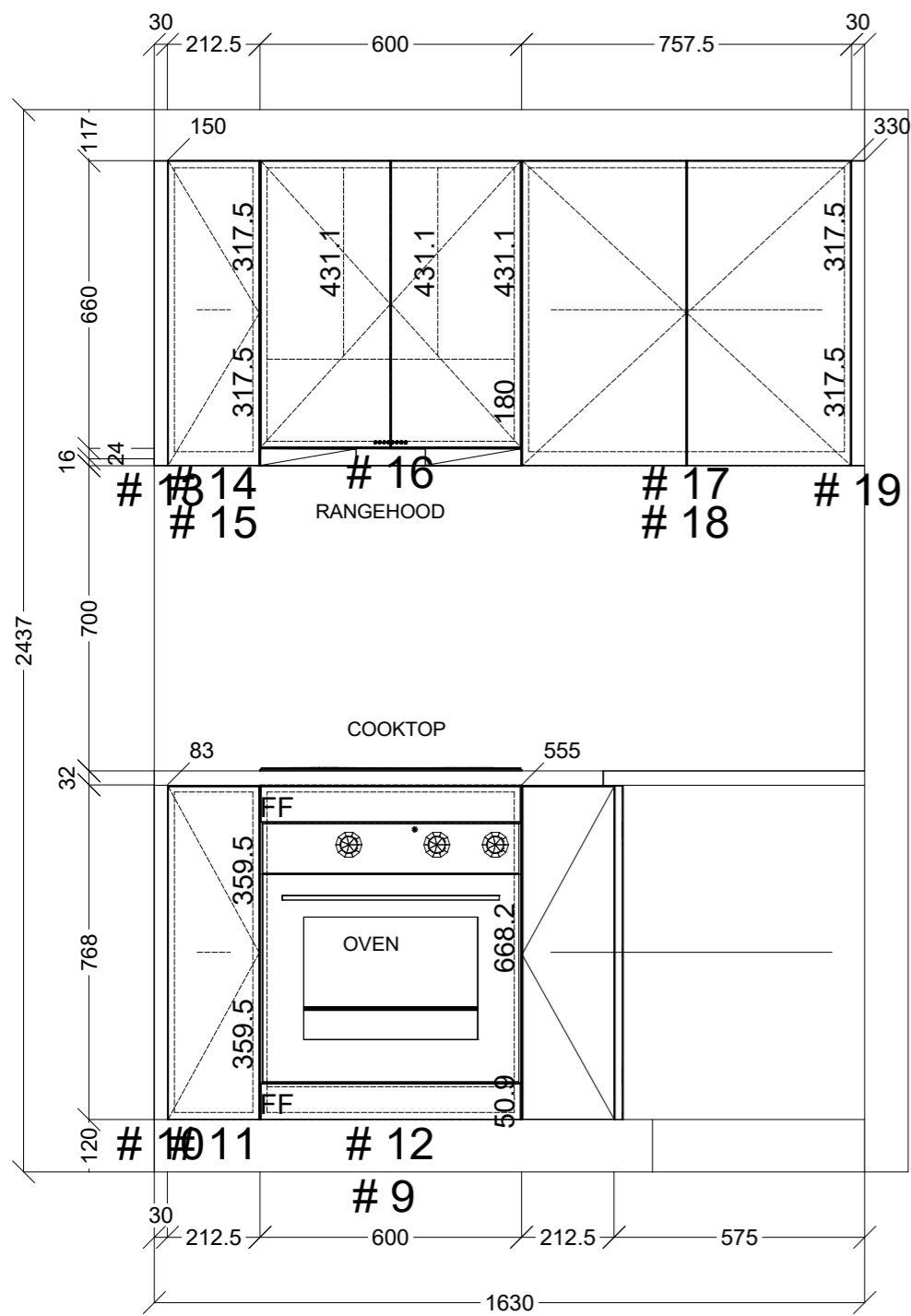


	Client: MASTER MENDERS		Door and panels style/colour: BASE: CRISP WHITE LEGATO, TALL+WALL: LIGURIAN WALNUT		Sheet 1 of 7
	Room: KITCHEN	Benchtop Colour: 32MM POLYTEC MARMO DI MONTE SQUARE EDGE	Drawer slides: DTC SMOOTH		Carcass: WHITE HMR
	Date: 13/10/23	Address: U2-5 BRADLEY ST NEWPORT	Handles Item No: DALLAS D 224 DULL BRUSHED NICKLE	Approved by:	

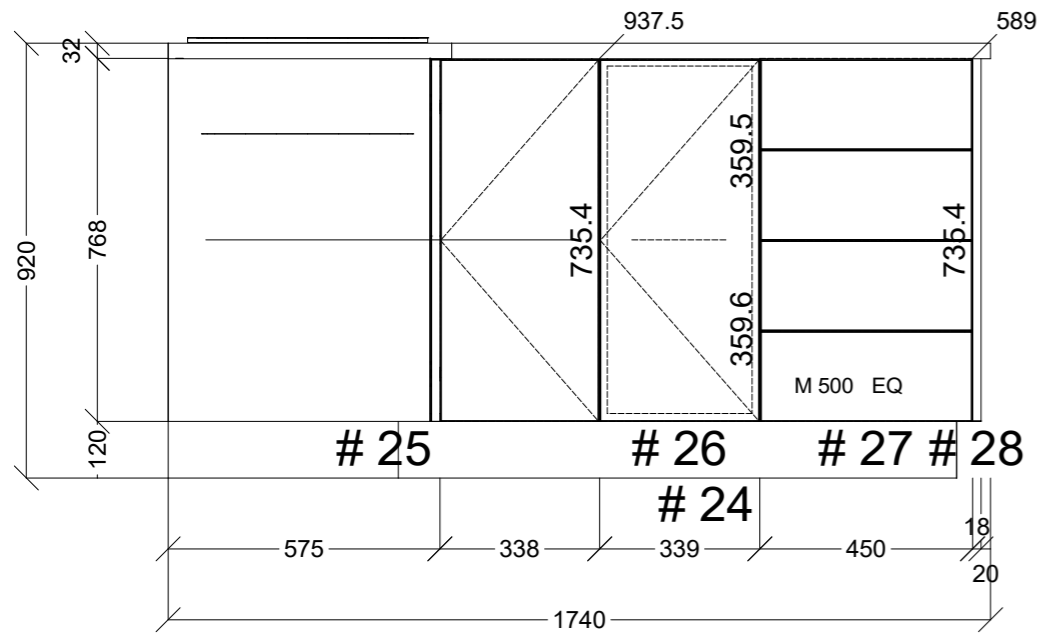


	Client: MASTER MENDERS		Door and panels style/colour: BASE: CRISP WHITE LEGATO, TALL+WALL: LIGURIAN WALNUT		Sheet 2 of 7
	Room: KITCHEN	Benchtop Colour: 32MM POLYTEC MARMO DI MONTE SQUARE EDGE	Drawer slides: DTC SMOOTH		Carcass: WHITE HMR
	Date: 13/10/23	Address: U2-5 BRADLEY ST NEWPORT	Handles Item No: DALLAS D 224 DULL BRUSHED NICKLE	Approved by:	

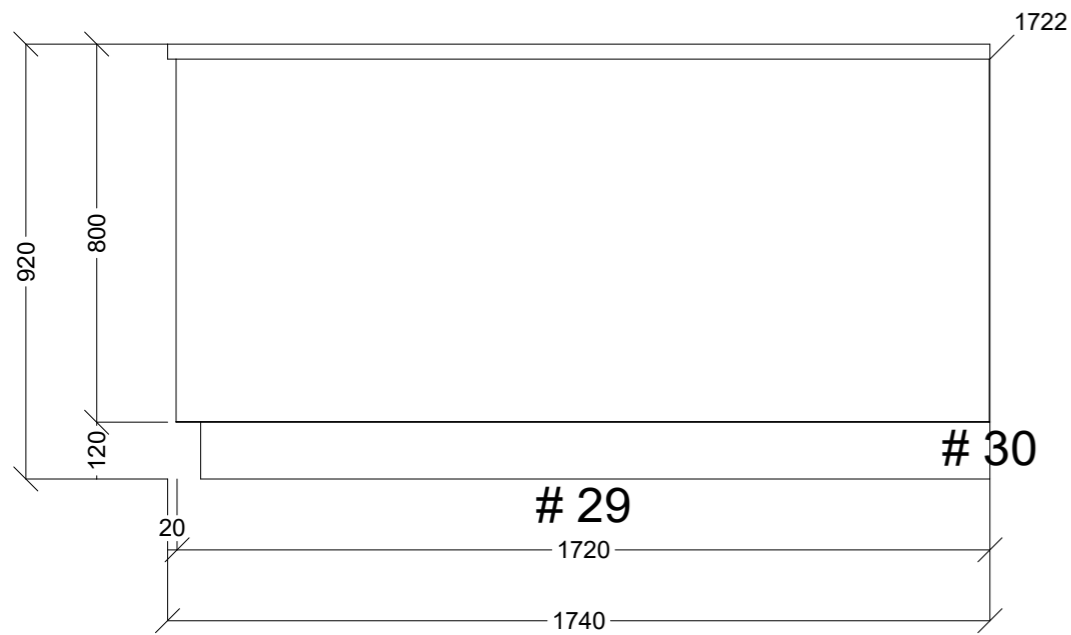


 CONNECT KITCHENS	Client: MASTER MENDERS		Door and panels style/colour: BASE: CRISP WHITE LEGATO, TALL+WALL: LIGURIAN WALNUT		Sheet 3 of 7
	Room: KITCHEN	Benchtop Colour: 32MM POLYTEC MARMO DI MONTE SQUARE EDGE	Drawer slides: DTC SMOOTH		Carcass: WHITE HMR
	Date: 13/10/23	Address: U2-5 BRADLEY ST NEWPORT	Handles Item No: DALLAS D 224 DULL BRUSHED NICKLE		Approved by:

ISLAND FRONT



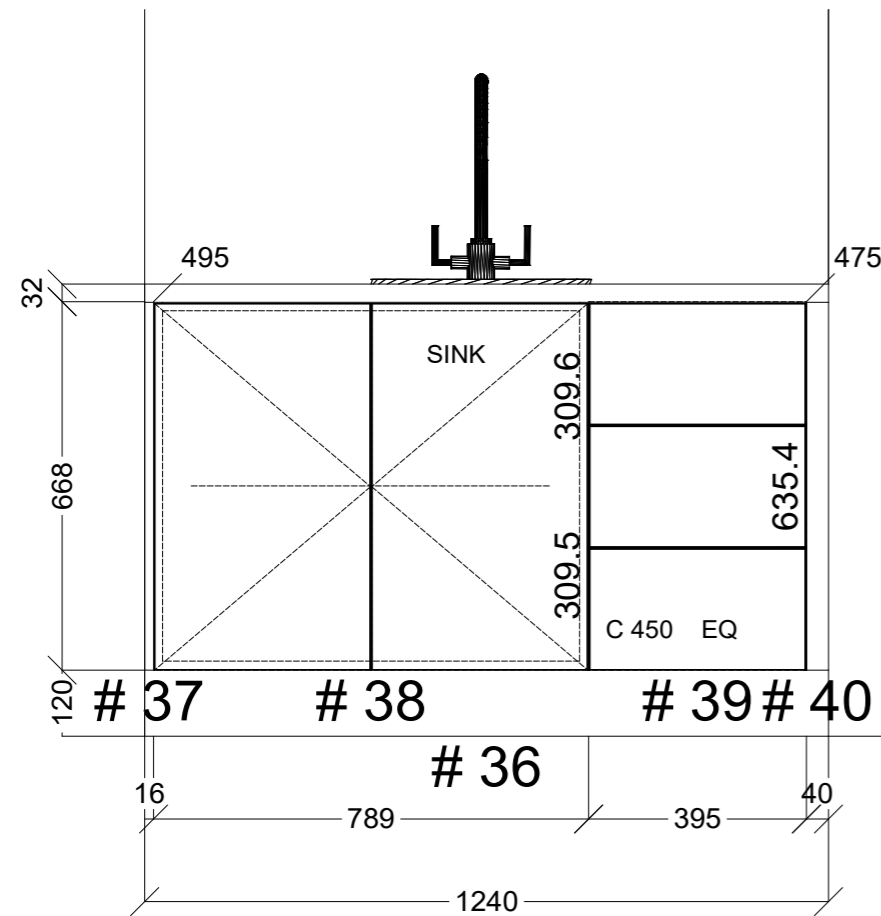
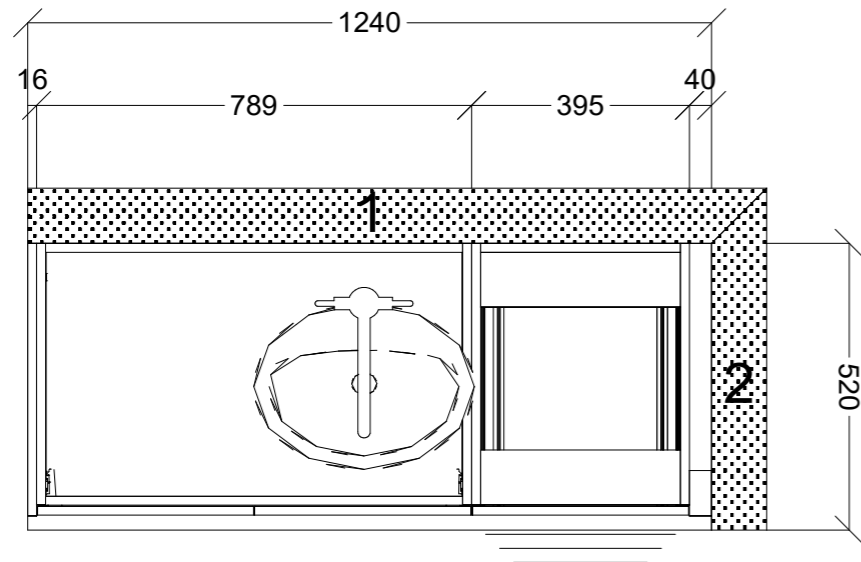
ISLAND REAR




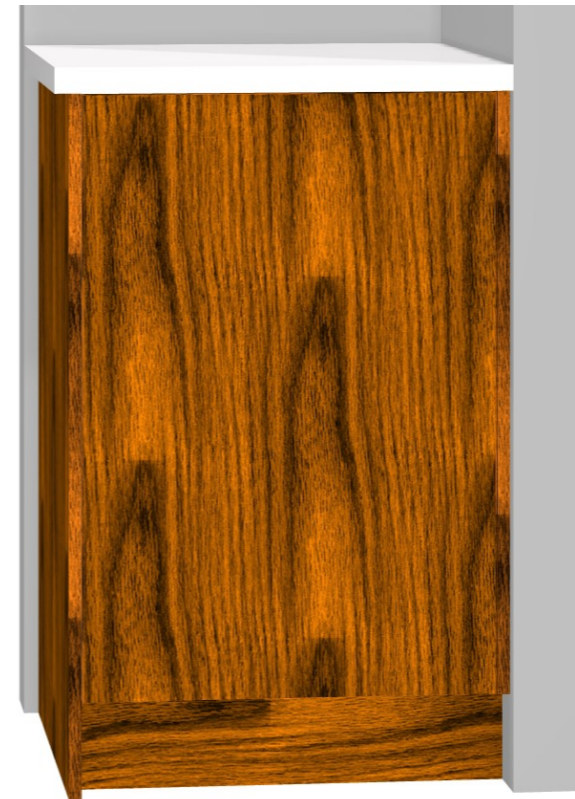
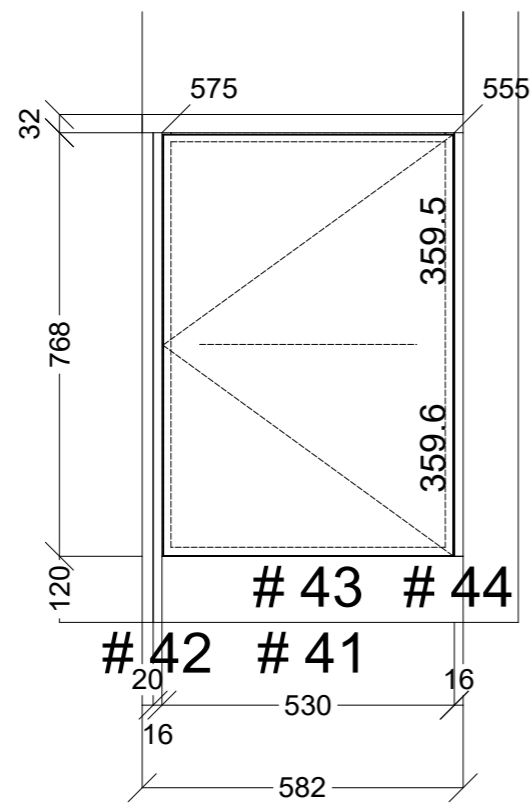
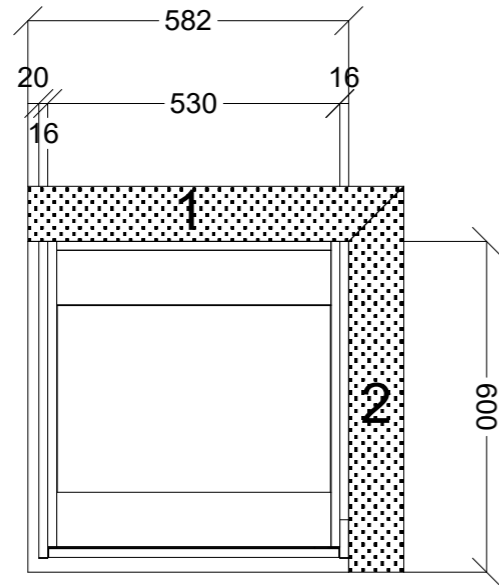
 CONNECT KITCHENS	Client: MASTER MENDERS		Door and panels style/colour: BASE: CRISP WHITE LEGATO, TALL+WALL: LIGURIAN WALNUT		Sheet 4 of 7
	Room: KITCHEN	Benchtop Colour: 32MM POLYTEC MARMO DI MONTE SQUARE EDGE	Drawer slides: DTC SMOOTH		Carcass: WHITE HMR
	Date: 13/10/23	Address: U2-5 BRADLEY ST NEWPORT	Handles Item No: DALLAS D 224 DULL BRUSHED NICKLE	Approved by:	




	Client: MASTER MENDERS		Door and panels style/colour: BASE: CRISP WHITE LEGATO, TALL+WALL: LIGURIAN WALNUT		Sheet 5 of 7
	Room: KITCHEN	Benchtop Colour: 32MM POLYTEC MARMO DI MONTE SQUARE EDGE	Drawer slides: DTC SMOOTH		Carcass: WHITE HMR
	Date: 13/10/23	Address: U2-5 BRADLEY ST NEWPORT	Handles Item No: DALLAS D 224 DULL BRUSHED NICKLE	Approved by:	



 CONNECT KITCHENS	Client: MASTER MENDERS		Door and panels style/colour: LIGURIAN WALNUT		Sheet 6 of 7
	Room: VANITY	Benchtop Colour: 32MM POLYTEC MARMO DI MONTE SQUARE EDGE	Drawer slides: DTC SMOOTH		Carcass: WHITE HMR
	Date: 13/10/23	Address: U2-5 BRADLEY ST NEWPORT	Handles Item No: DALLAS D 224 DULL BRUSHED NICKLE	Approved by:	



	Client: MASTER MENDERS		Door and panels style/colour: LIGURIAN WALNUT		Sheet 7 of 7
	Room: LAUNDRY	Benchtop Colour: 32MM POLYTEC MARMO DI MONTE	Drawer slides: N/A		Carcass: WHITE HMR
	Date: 13/10/23	Address: U2-5 BRADLEY ST NEWPORT	Handles Item No: DALLAS D 224 DULL BRUSHED NICKLE	Approved by:	