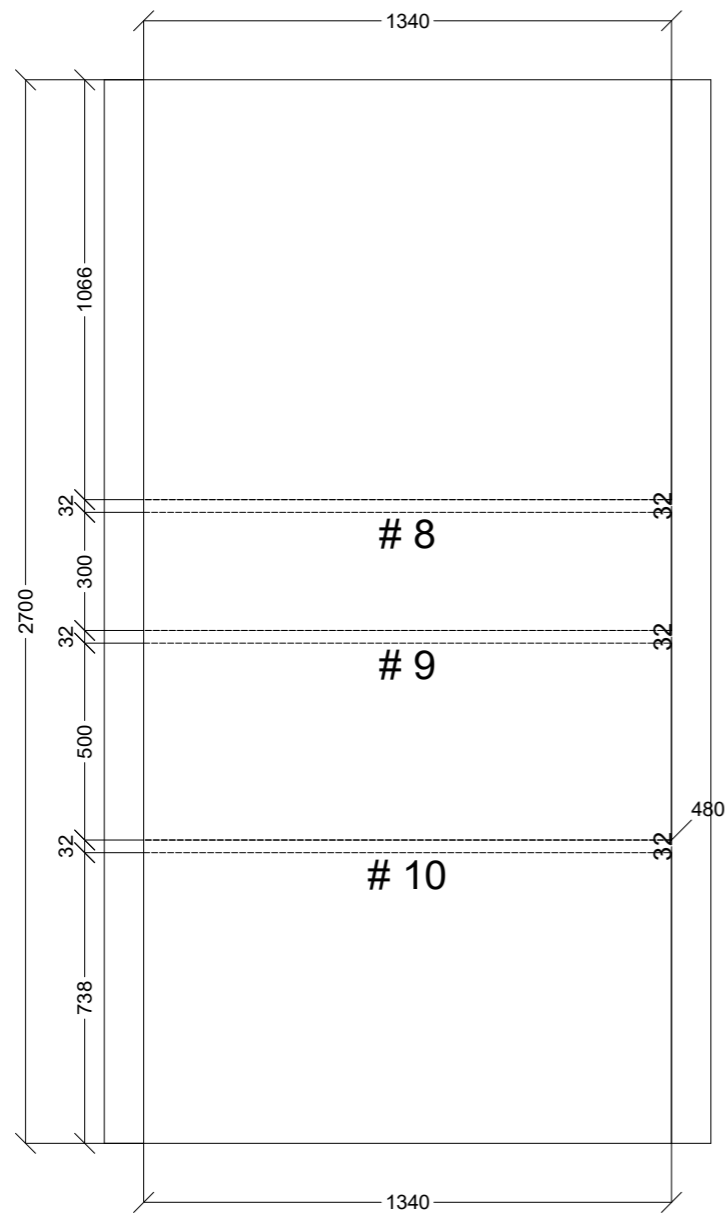
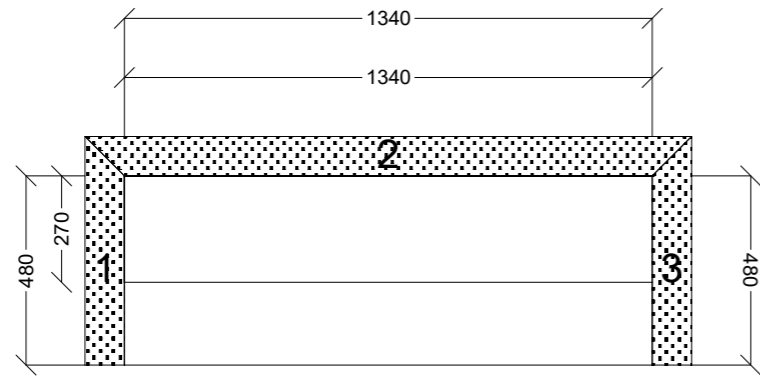

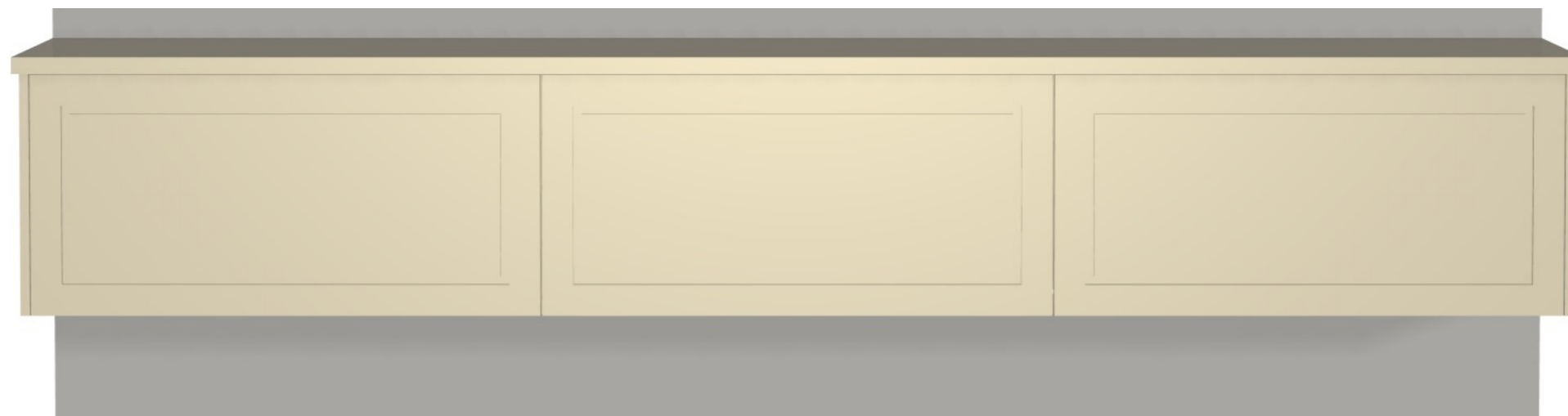
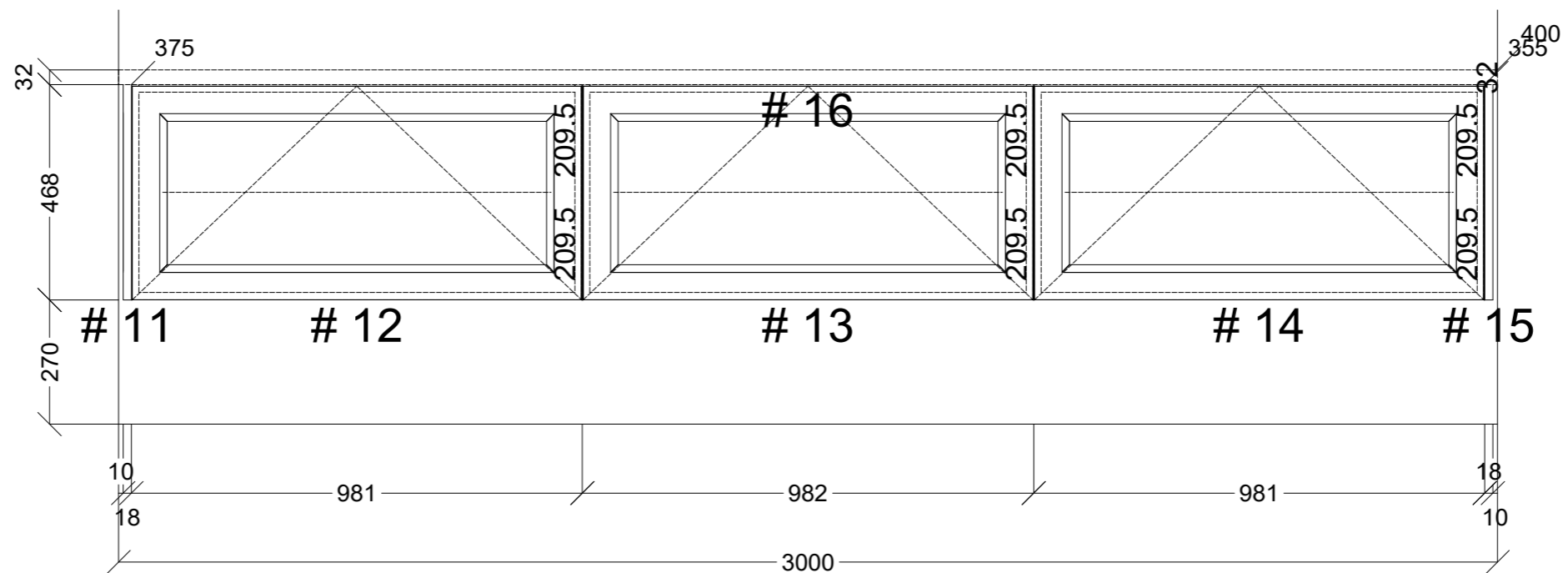
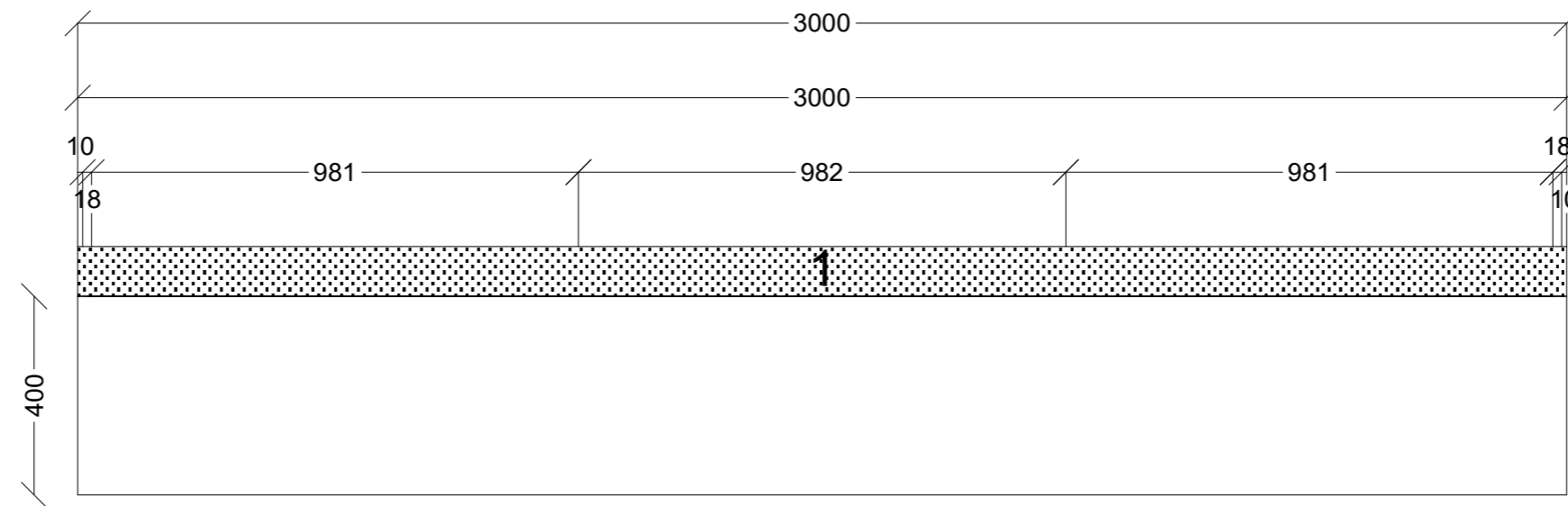

	Client: DALE AND GLENDA		Door and panels style/colour: 2PAC 90' SHAKER LEXICON 1/4 MATT		Sheet 1 of 3
	Room: ROBE	Benchtop Colour: N/A		Drawer slides: BLUM ANTARO	Carcass: WHITE HMR
	Date: 24/10/23	Address: 2A GLENDEARG GRV MALVERN		Handles Item No: TBA	Approved by:



 <b>CONNECT KITCHENS</b>	Client: DALE AND GLENDA		Door and panels style/colour: COASTAL OAK LAMINATE		Sheet 2 of 3
	Room: STUDY NOOK	Benchtop Colour: COASTAL OAK LAMINATE		Drawer slides: N/A	Carcass: N/A
	Date: 24/10/23	Address: 2A GLENDEARG GRV MALVERN		Handles Item No: N/A	Approved by:



	Client: DALE AND GLENDA		Door and panels style/colour: 2PAC 90' SHAKER LEXICON 1/4 MATT		Sheet 3 of 3
	Room: TV UNIT	Benchtop Colour: 32MM 2PAC LEXICON 1/4 MATT	Drawer slides: N/A		Carcass: WHITE HMR
	Date: 24/10/23	Address: 2A GLENDEARG GRV MALVERN	Handles Item No: TBA		Approved by: