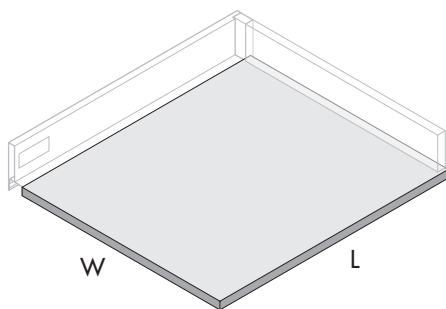


drawer front drilling for
16mm thick carcass sides

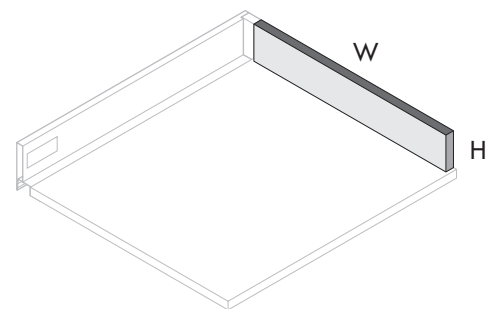
nominal length	hole spacing	minimum depth clearance
300	128	300
350	128	350
400	192	400
450	224	450
500	224	500
550	224	550



drawer base

nominal length	drawer base size L x W
350	342 x (cabinet inside width - 75)
400	392 x (cabinet inside width - 75)
450	442 x (cabinet inside width - 75)
500	492 x (cabinet inside width - 75)

cutting list

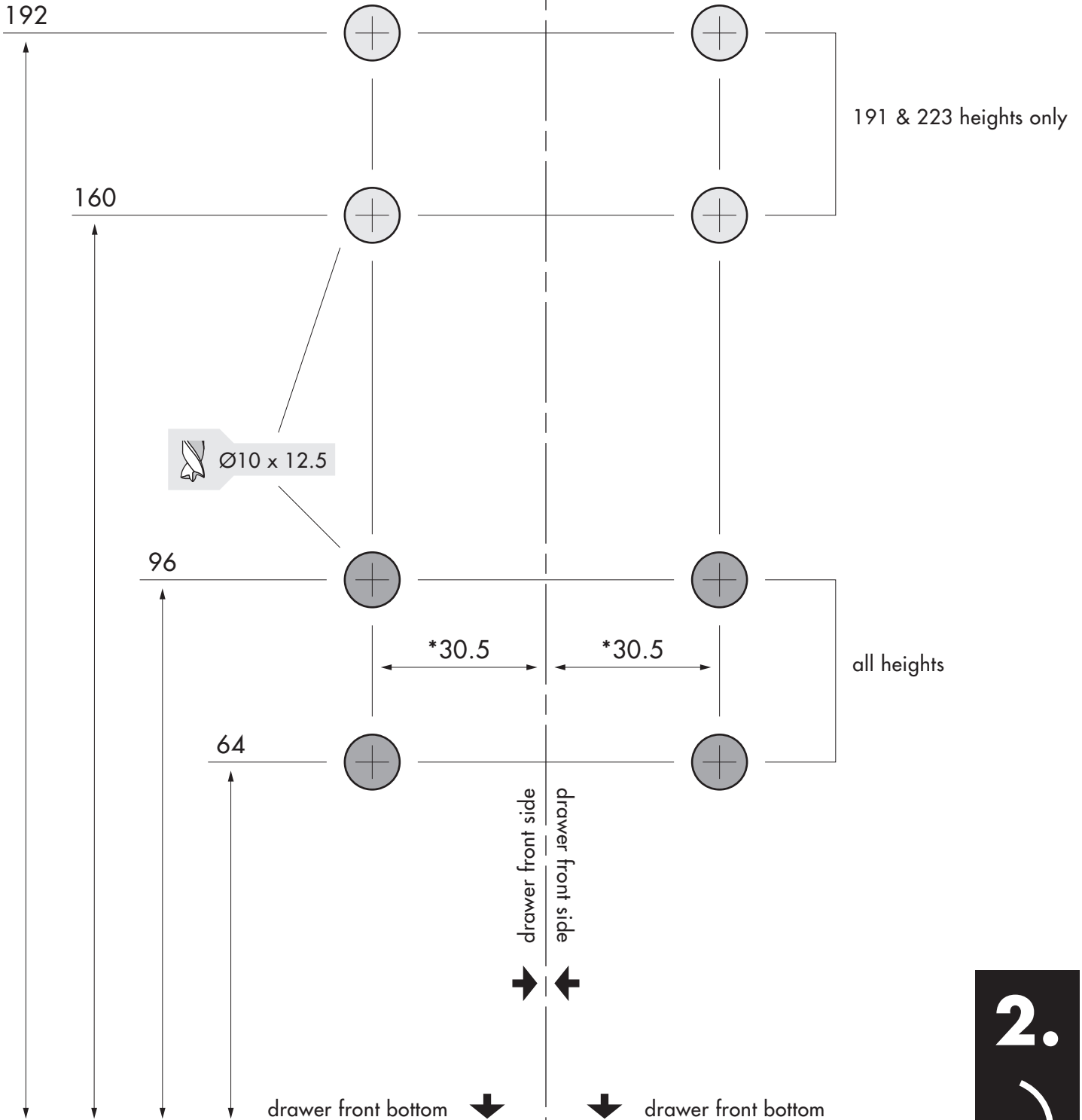


drawer back

drawer height	drawer back finished size, E11 H x W
108	68 x (cabinet inside width - 87)
140	100 x (cabinet inside width - 87)
191	151 x (cabinet inside width - 87)
223	183 x (cabinet inside width - 87)

WT Ultralim

drawer front drilling template



A4 1:1

* for 16mm thick carcass sides

