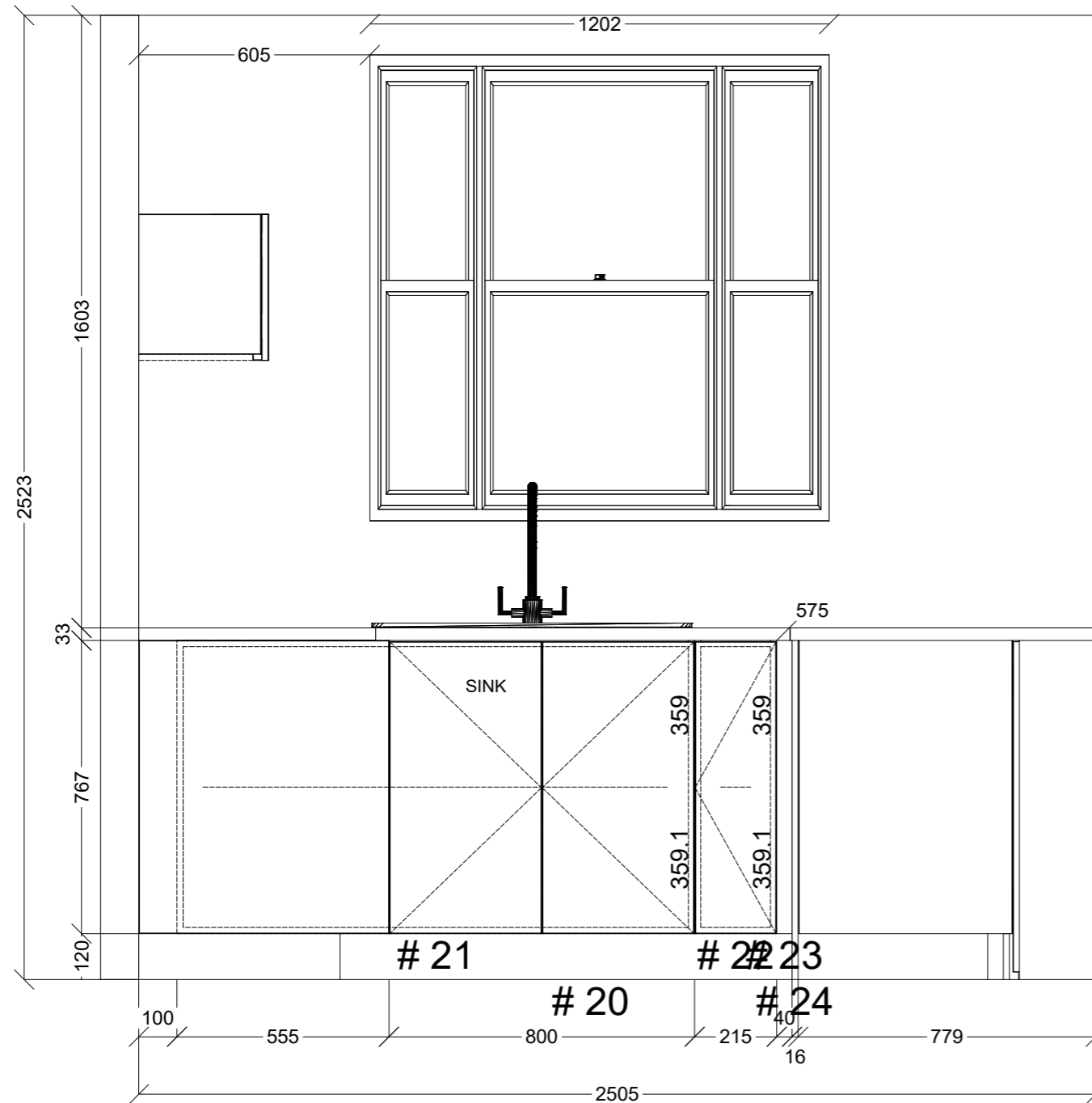
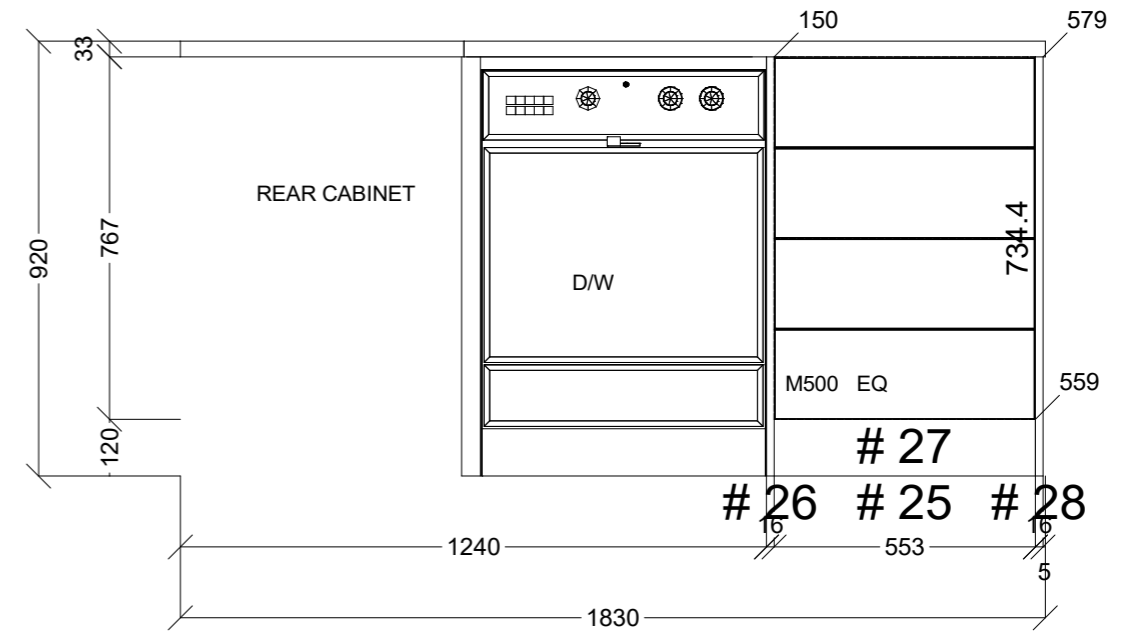


wjx

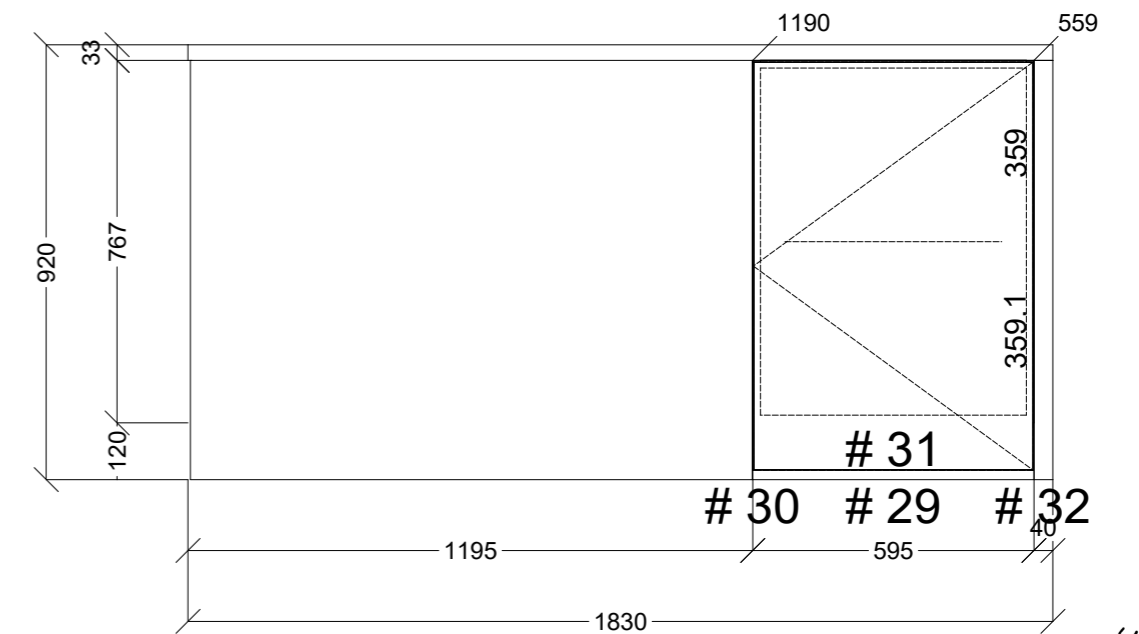
| | | | | | |
|--|------------------------|---|---|--|--------------------|
| | Client: MASTER MENDERS | | Door and panels style/colour: BASE: ESTELLA OAK WOODMATT, WALL+KICK: CLASSIC WHITE MATT | | Sheet 2 of 14 |
| | Room: KITCHEN | Benchtop Colour: LAMINATE PIETRA STONE MATT | Drawer slides: DTC SMOOTH | | Carcass: WHITE HMR |
| | Date: 01/11/23 | Address: 2-30 CAMERON AVE OAKLEIGH | Handles Item No: PUSH TO OPEN | | Approved by: |



ISLAND FRONT



ISLAND REAR



wjx




| | | | | | |
|--|------------------------|---|---|--|--------------------|
| | Client: MASTER MENDERS | | Door and panels style/colour: BASE: ESTELLA OAK WOODMATT, WALL+KICK: CLASSIC WHITE MATT | | Sheet 3 of 14 |
| | Room: KITCHEN | Benchtop Colour: LAMINATE PIETRA STONE MATT | Drawer slides: DTC SMOOTH | | Carcass: WHITE HMR |
| | Date: 01/11/23 | Address: 2-30 CAMERON AVE OAKLEIGH | Handles Item No: PUSH TO OPEN | | Approved by: |



wjx




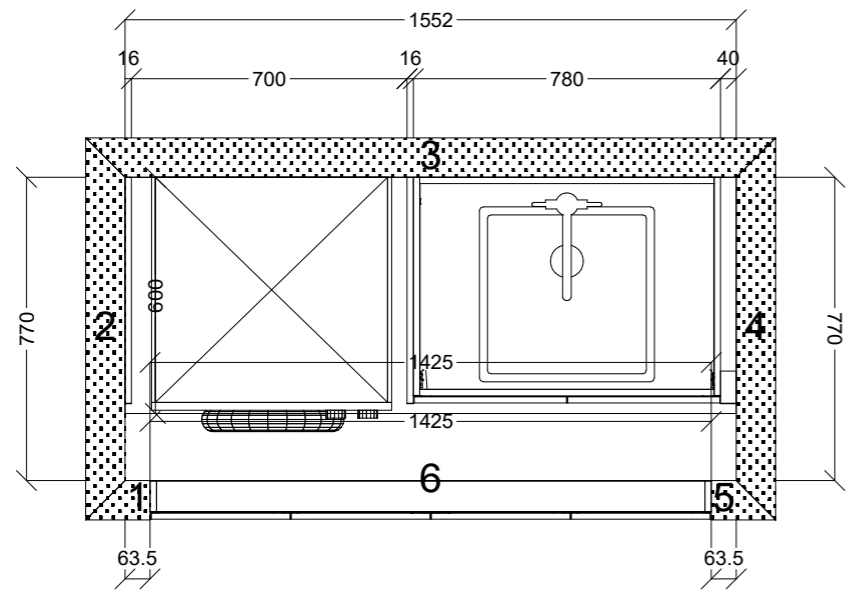
| | | | | | |
|--|------------------------|---|---|--|--------------------|
|  | Client: MASTER MENDERS | | Door and panels style/colour: BASE: ESTELLA OAK WOODMATT, WALL+KICK: CLASSIC WHITE MATT | | Sheet 4 of 14 |
| | Room: KITCHEN | Benchtop Colour: LAMINATE PIETRA STONE MATT | Drawer slides: DTC SMOOTH | | Carcass: WHITE HMR |
| | Date: 01/11/23 | Address: 2-30 CAMERON AVE OAKLEIGH | Handles Item No: PUSH TO OPEN | | Approved by: |



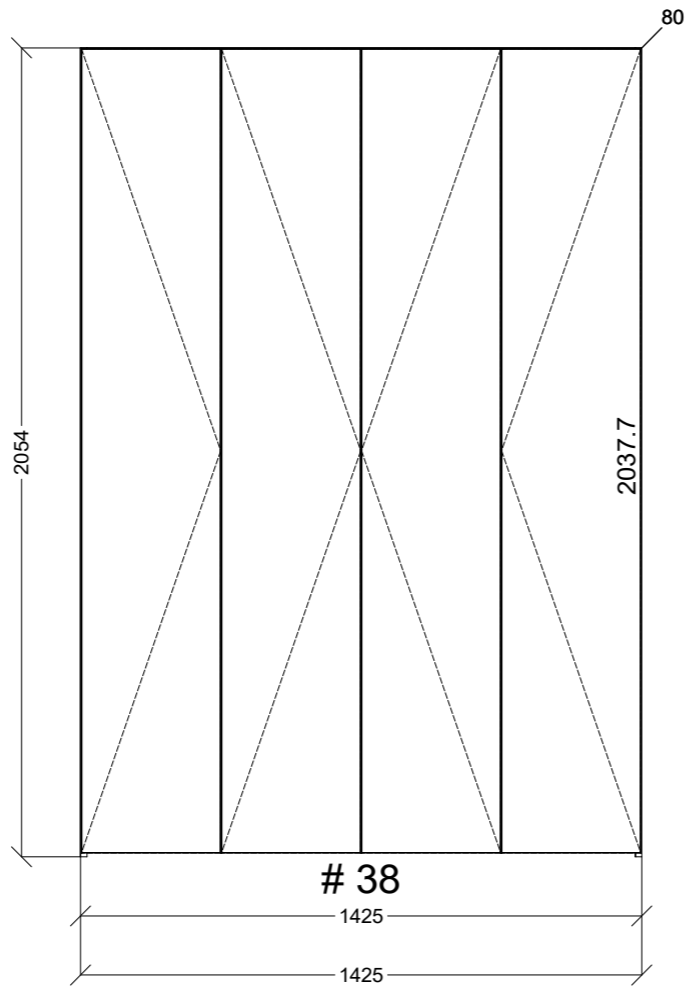
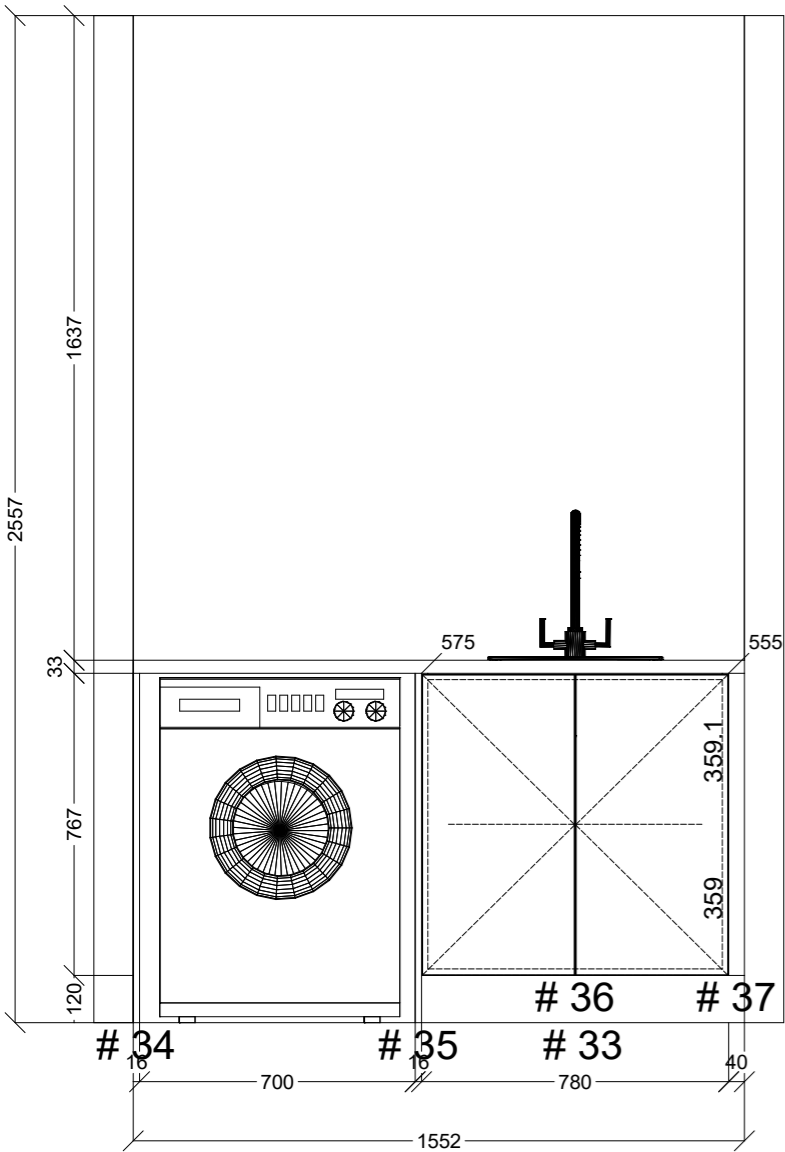
wjfx




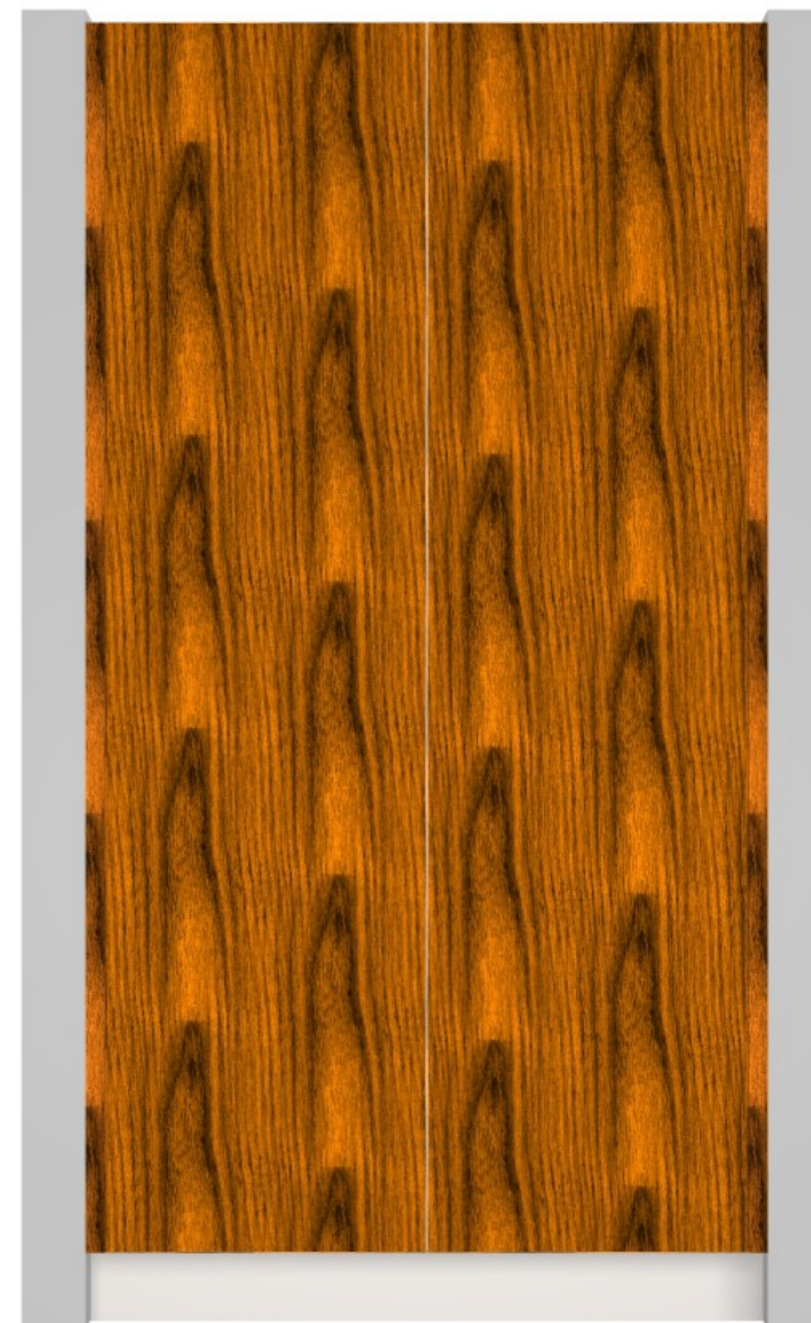
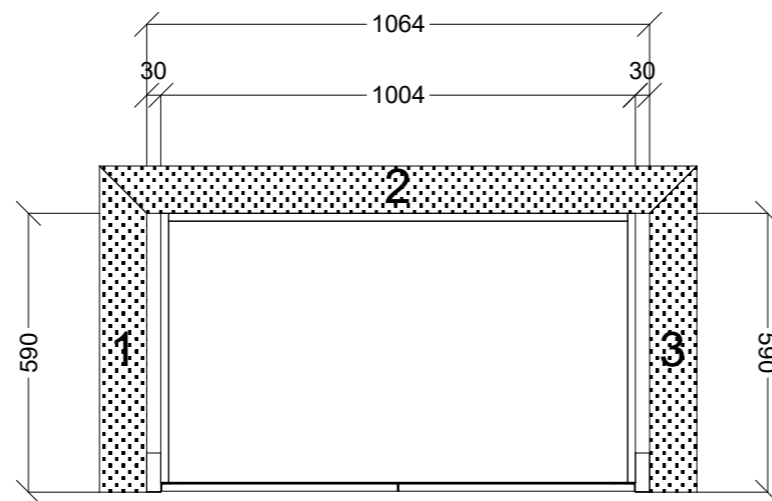
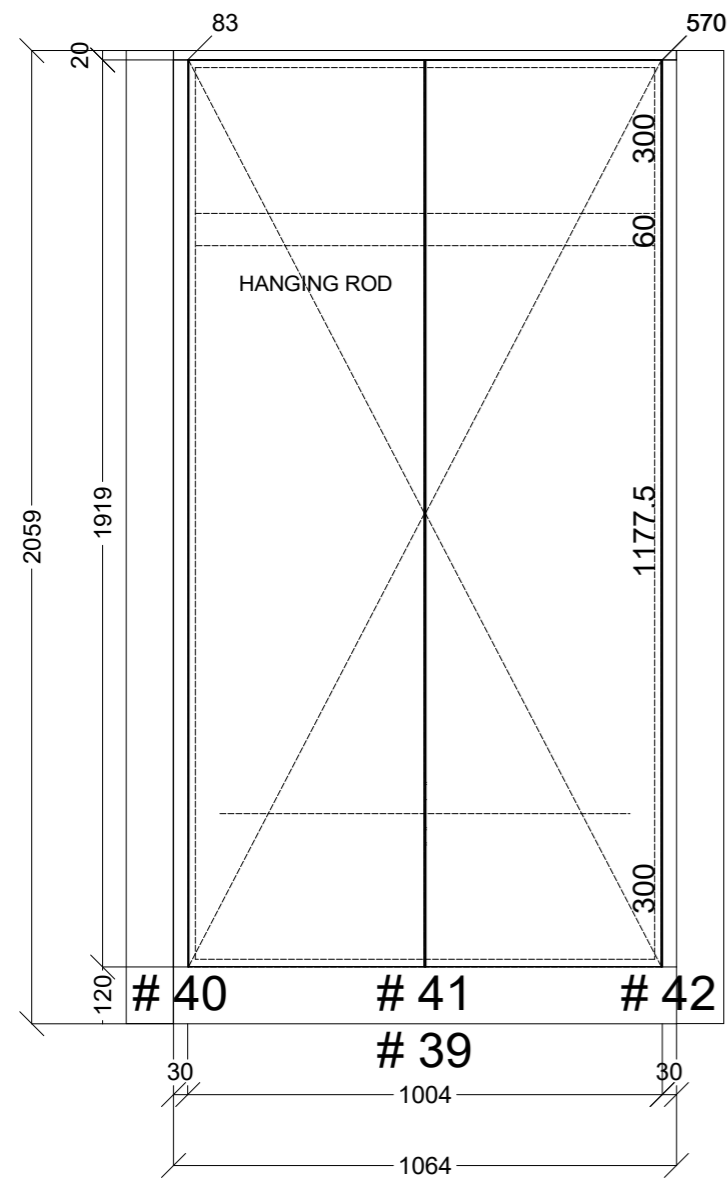
| | | | | | |
|--|------------------------|---|---|---------------------------|--------------------|
|  | Client: MASTER MENDERS | | Door and panels style/colour: BASE: ESTELLA OAK WOODMATT, WALL+KICK: CLASSIC WHITE MATT | | Sheet 5 of 14 |
| | Room: KITCHEN | Benchtop Colour: LAMINATE PIETRA STONE MATT | | Drawer slides: DTC SMOOTH | Carcass: WHITE HMR |
| | Date: 01/11/23 | Address: 2-30 CAMERON AVE OAKLEIGH | Handles Item No: PUSH TO OPEN | | Approved by: |



wjx

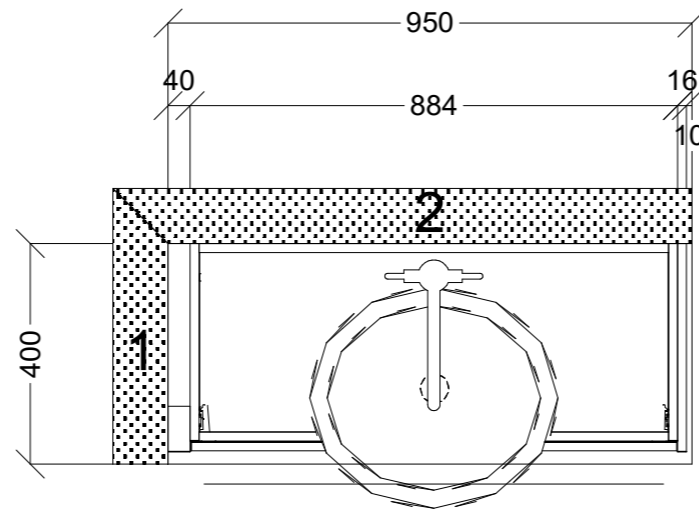
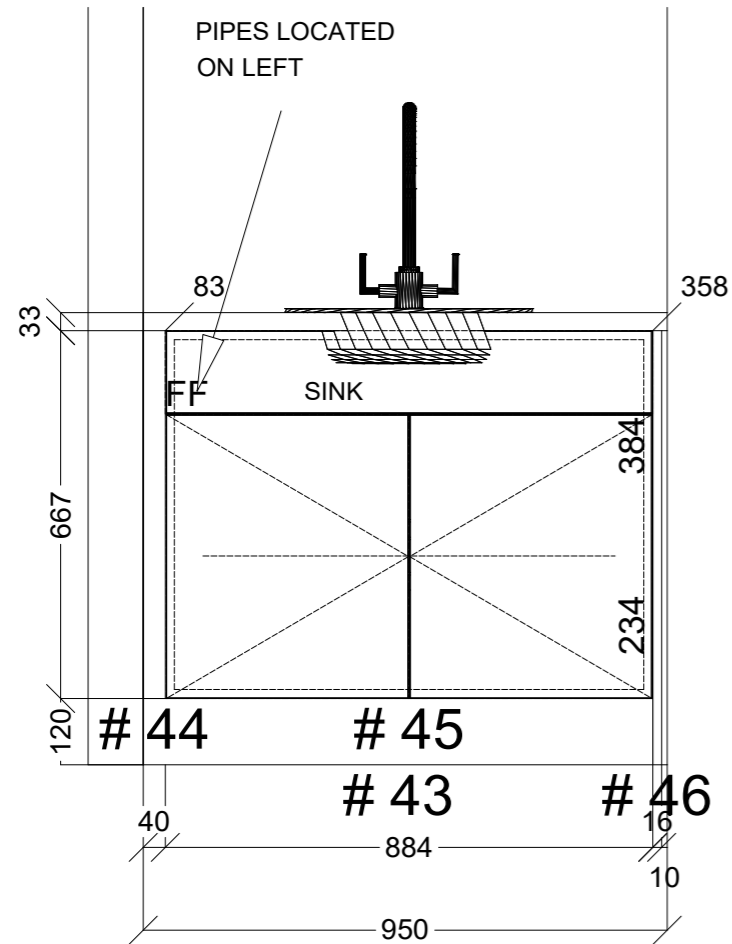


| | | | | | |
|--|------------------------|---|--|--------------------|--------------------|
|  | Client: MASTER MENDERS | | Door and panels style/colour: ESTELLA OAK WOODMATT, KICK: CLASSIC WHITE MATT | | Sheet 6 of 14 |
| | Room: LAUNDRY | Benchtop Colour: LAMINATE STONEHENGE MATT | | Drawer slides: N/A | Carcass: WHITE HMR |
| | Date: 01/11/23 | Address: 2-30 CAMERON AVE OAKLEIGH | Handles Item No: TBC | | Approved by: |




wjx

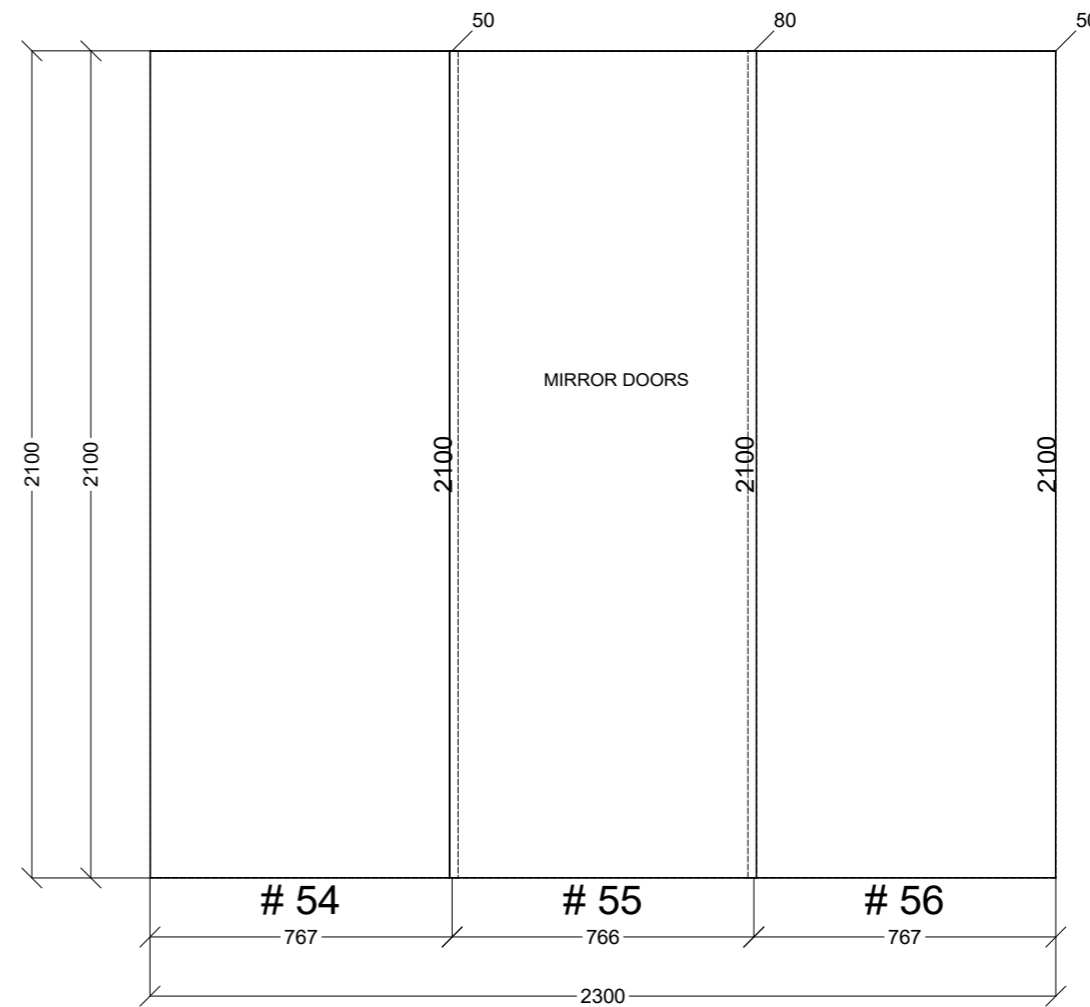
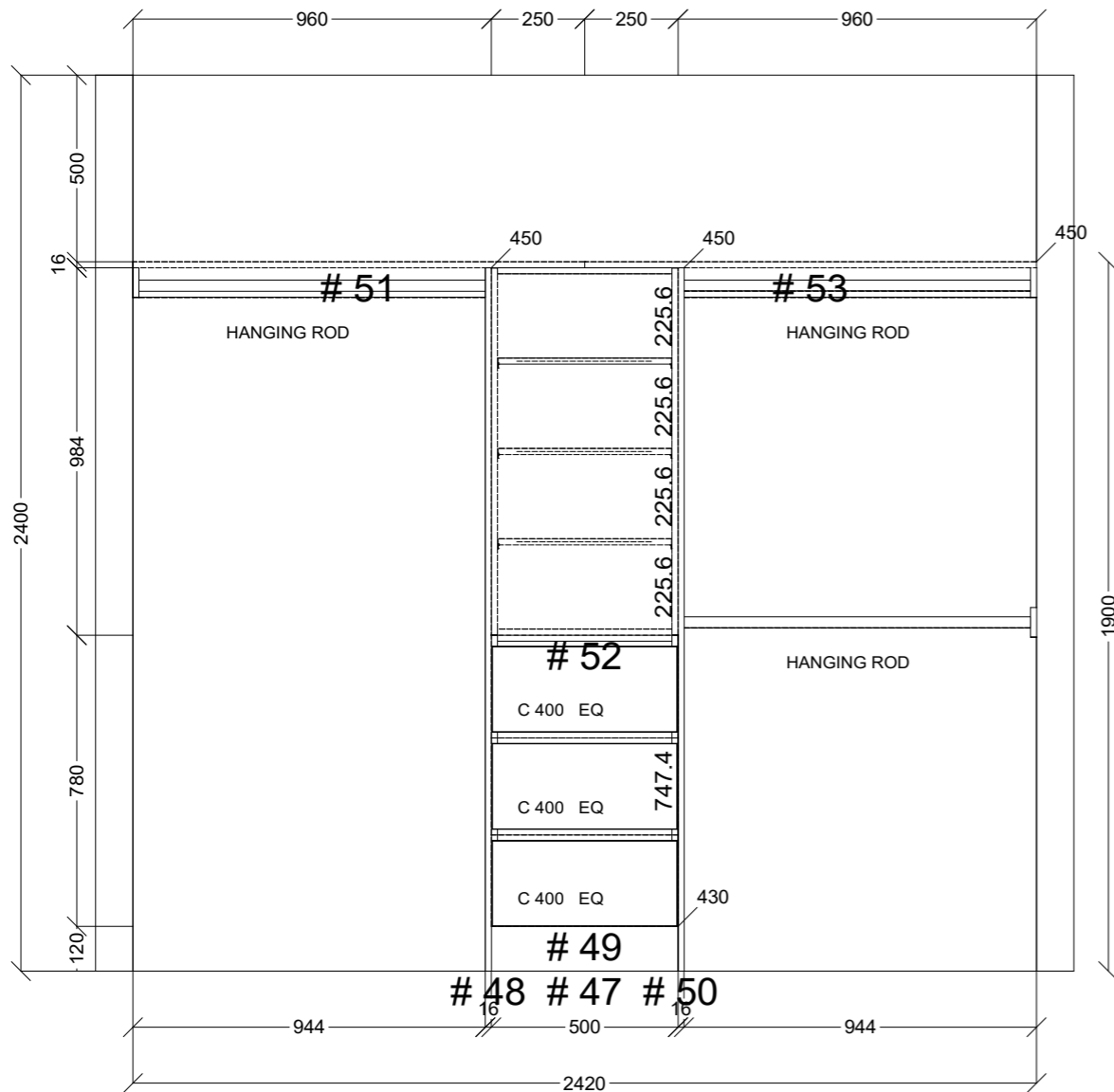
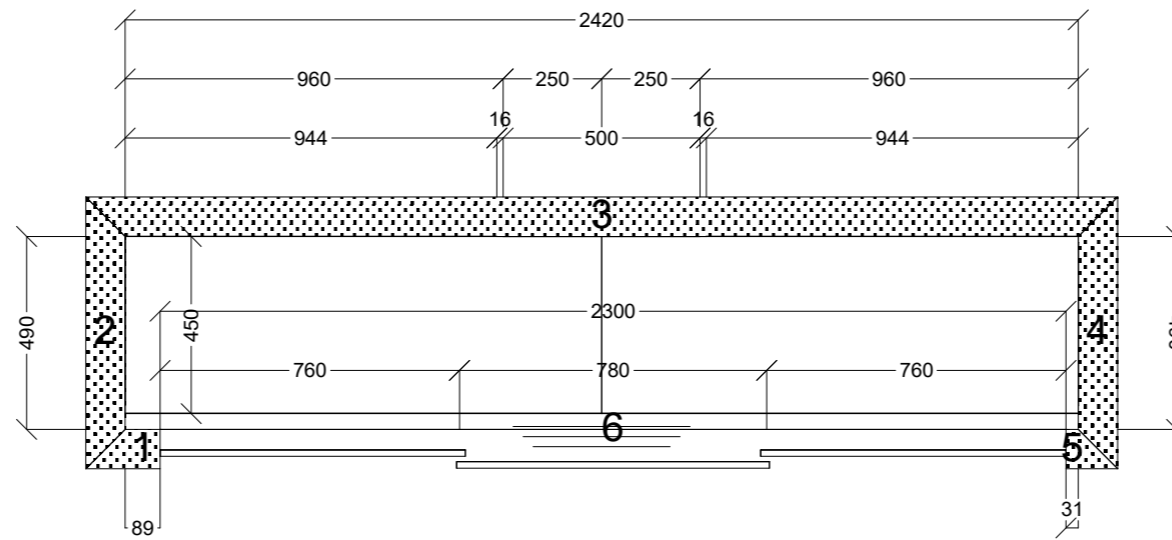

| | | | | | |
|--|------------------------|------------------------------------|--|--|--------------------|
|  | Client: MASTER MENDERS | | Door and panels style/colour: ESTELLA OAK WOODMATT, KICK: CLASSIC WHITE MATT | | Sheet 7 of 14 |
| | Room: LINEN | Benchtop Colour: N/A | Drawer slides: N/A | | Carcass: WHITE HMR |
| | Date: 01/11/23 | Address: 2-30 CAMERON AVE OAKLEIGH | Handles Item No: TBC | | Approved by: |



wjx

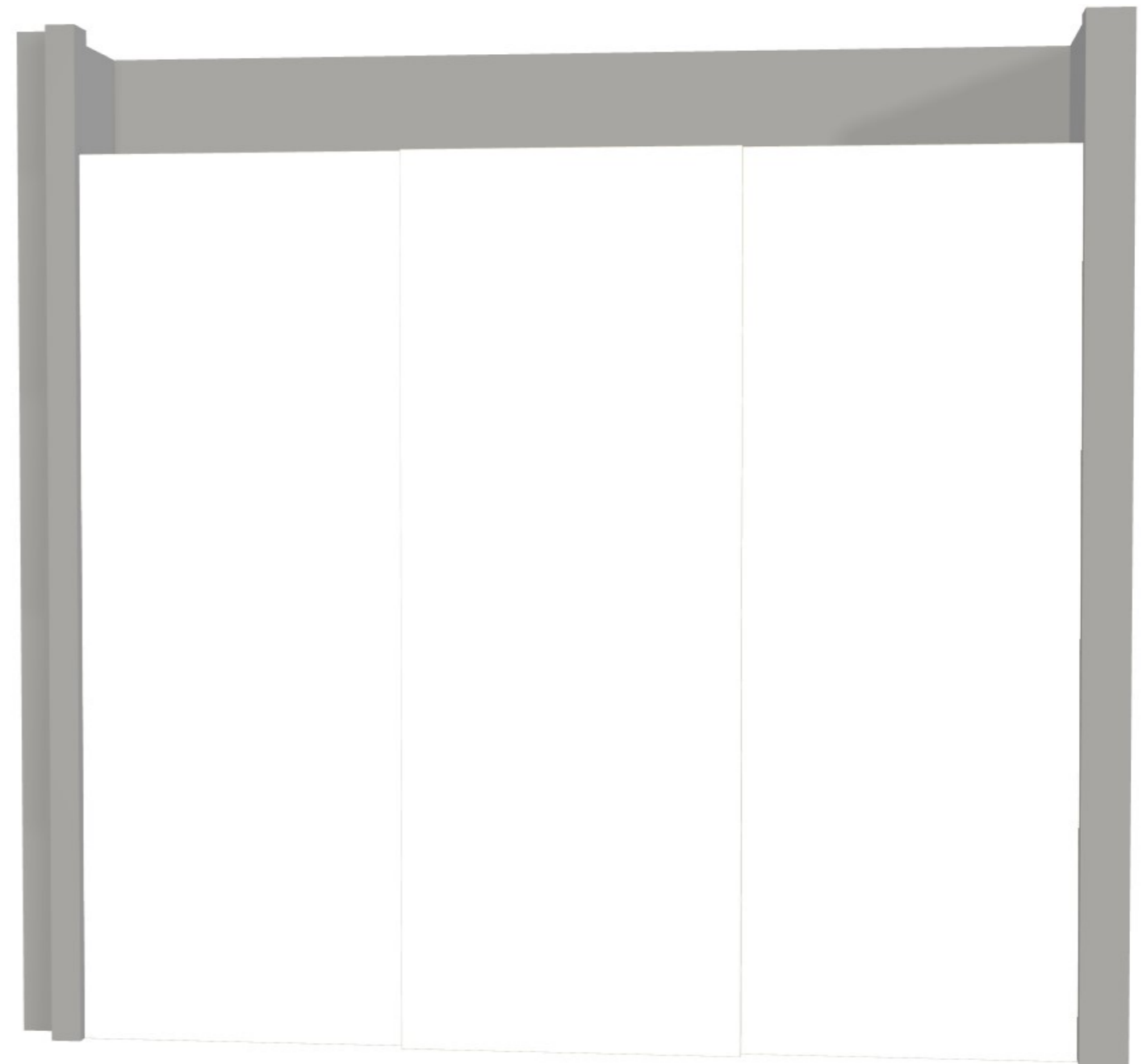


| | | | | | |
|--|-------------------------|---|--|--|--------------------|
|  | Client: MASTER MENDERS | | Door and panels style/colour: BOTTEGA OAK WOODMATT, KICK: CLASSIC WHITE MATT | | Sheet 8 of 14 |
| | Room: GROUND FLOOR BATH | Benchtop Colour: LAMINATE STONEHENGE MATT | Drawer slides: N/A | | Carcass: WHITE HMR |
| | Date: 01/11/23 | Address: 2-30 CAMERON AVE OAKLEIGH | Handles Item No: TBC | | Approved by: |




wjx

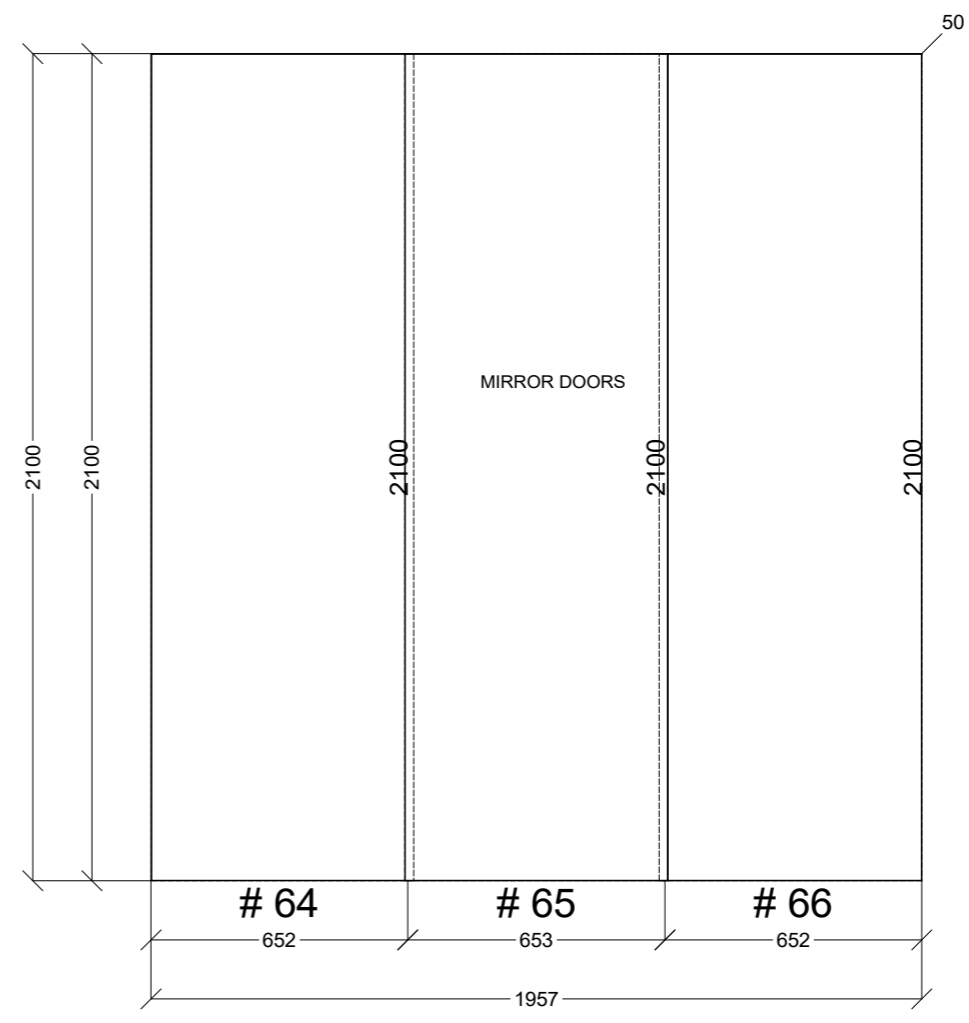
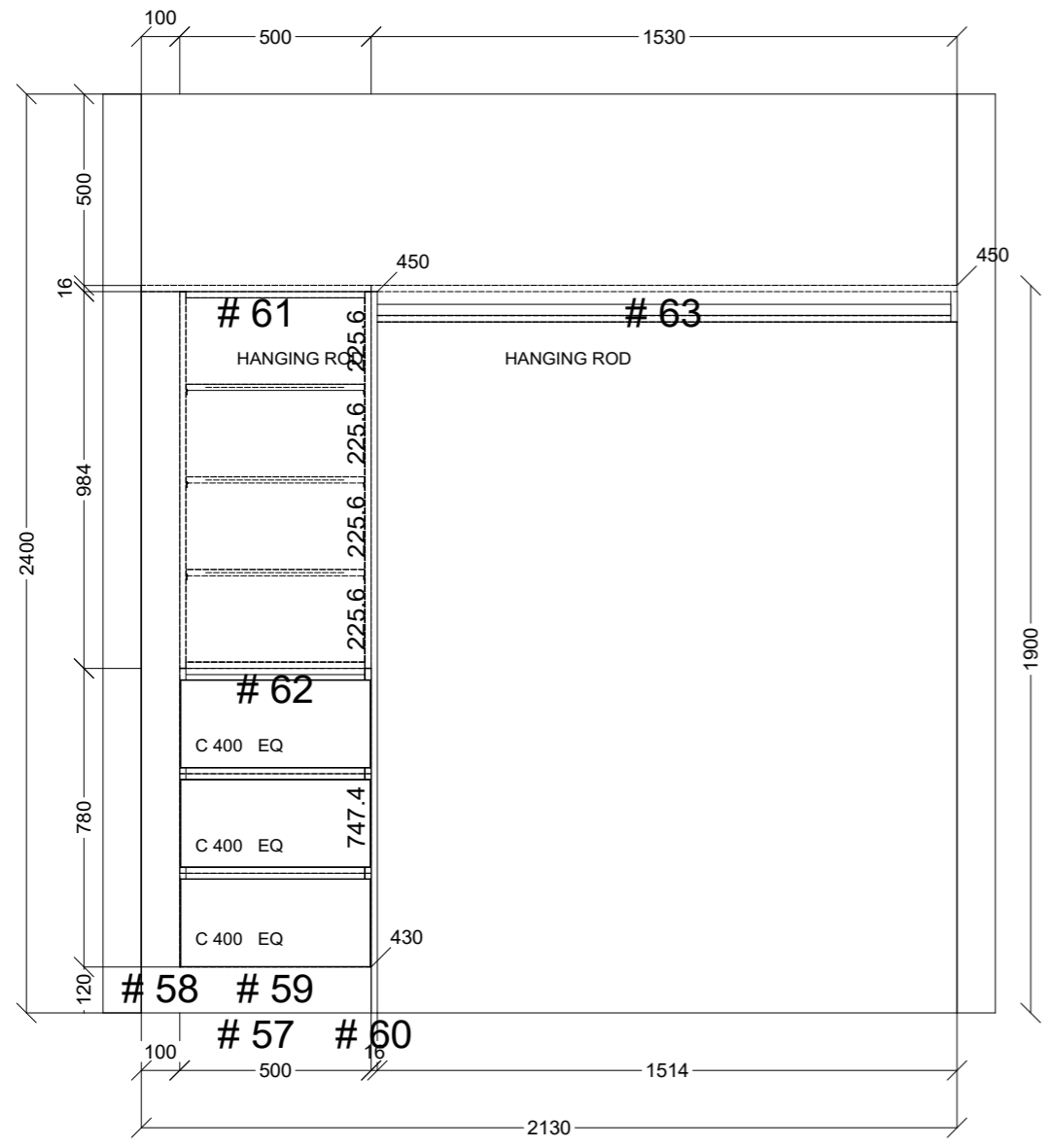
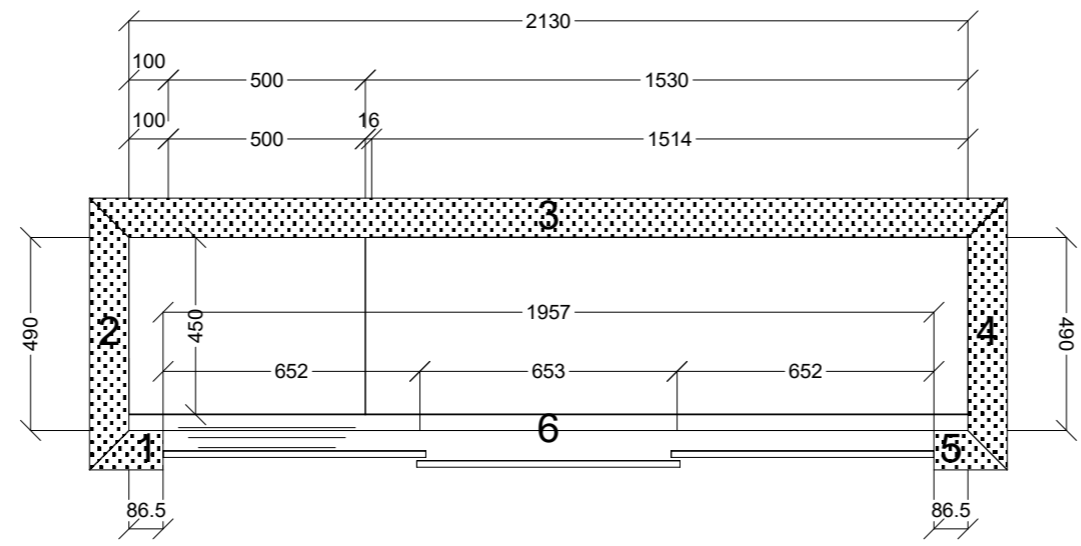
| | | | | | |
|--|----------------------------|------------------------------------|---|------------------------------|--------------------|
| | Client: MASTER MENDERS | | Door and panels style/colour: WHITE HMR | | Sheet 9 of 14 |
| | Room: BED 1 NEAR STARICASE | Benchtop Colour: N/A | | Drawer slides: DTC SMOOTH | Carcass: WHITE HMR |
| | Date: 01/11/23 | Address: 2-30 CAMERON AVE OAKLEIGH | | Handles Item No: FINGER PULL | Approved by: |



wjx

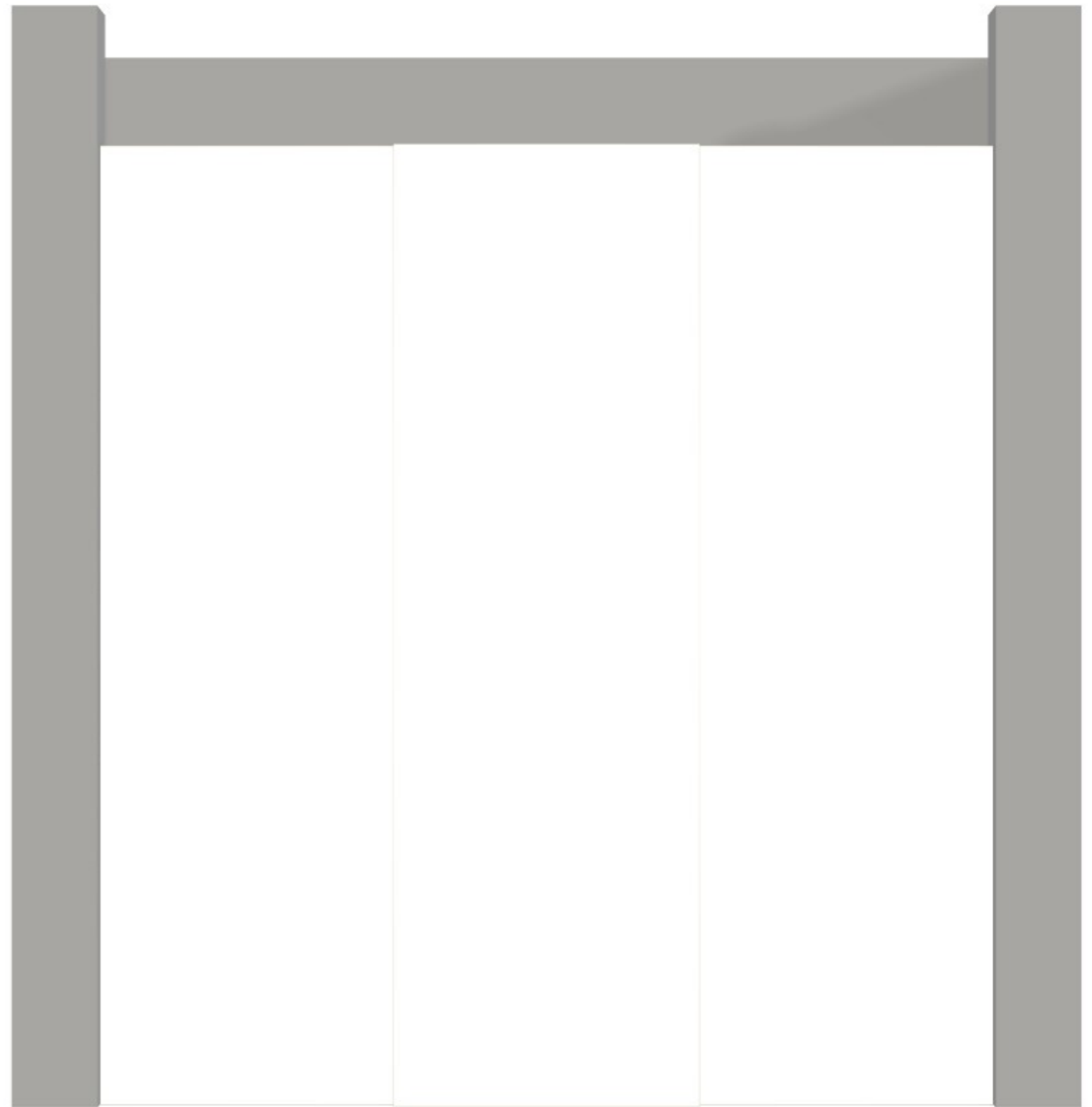
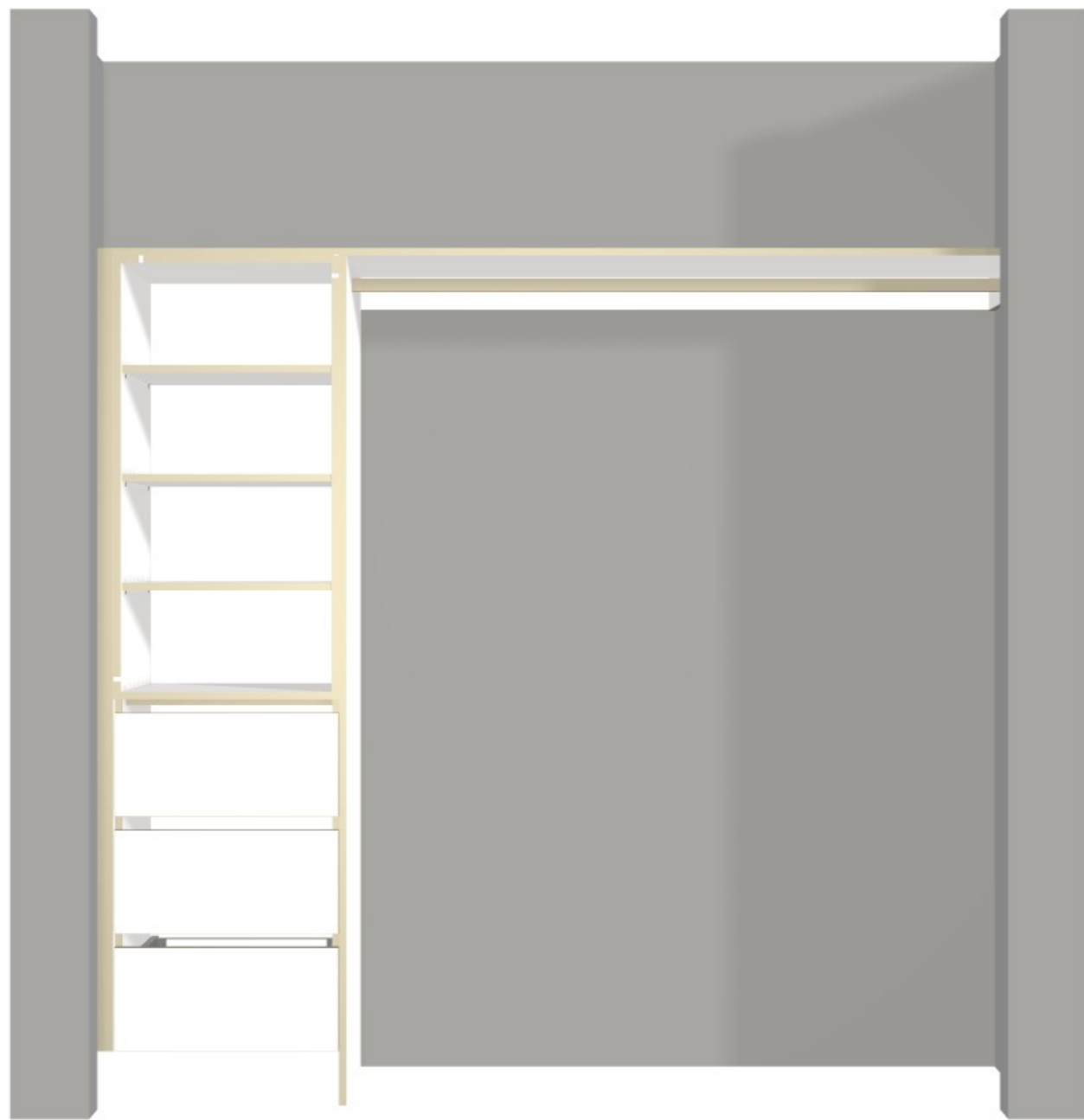


| | | | | | |
|--|--------------------------|------------------------------------|---|---------------------------|--------------------|
|  | Client: MASTER MENDERS | | Door and panels style/colour: WHITE HMR | | Sheet 10 of 14 |
| | Room: BED 1 NEAR STORAGE | Benchtop Colour: N/A | | Drawer slides: DTC SMOOTH | Carcass: WHITE HMR |
| | Date: 01/11/23 | Address: 2-30 CAMERON AVE OAKLEIGH | Handles Item No: FINGER PULL | | Approved by: |

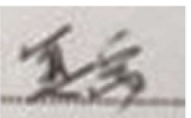



WJX

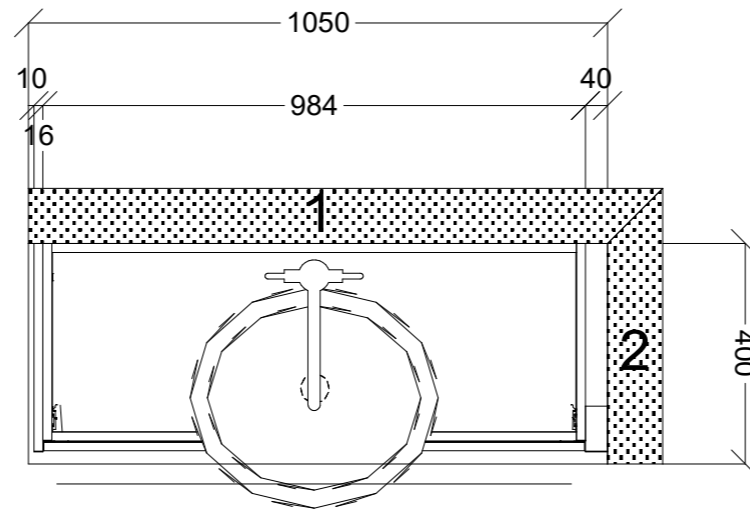
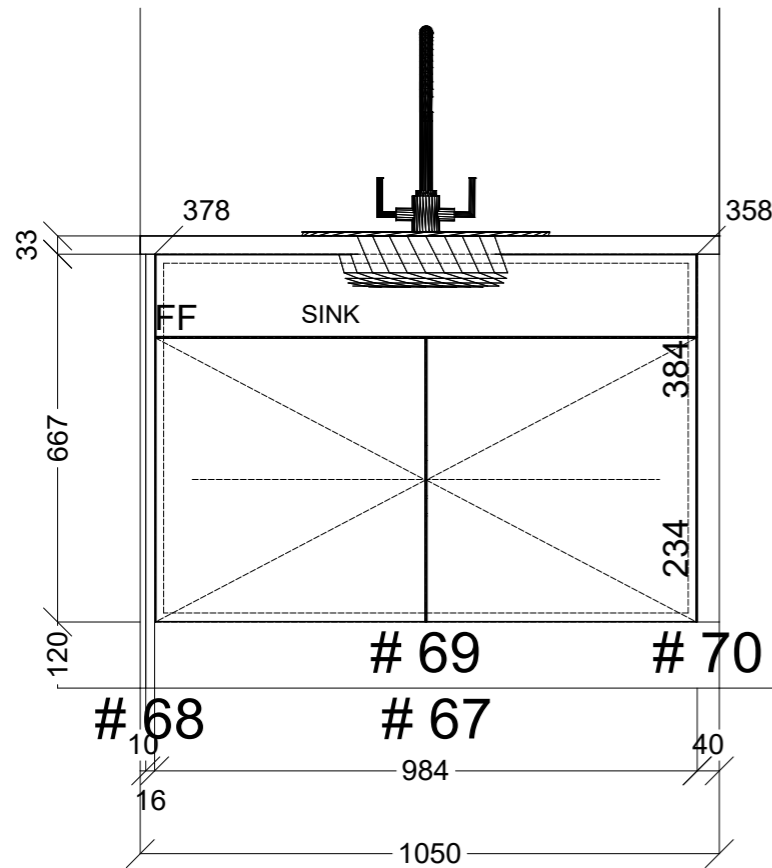
| | | | | | |
|--|------------------------|------------------------------------|---|------------------------------|--------------------|
| | Client: MASTER MENDERS | | Door and panels style/colour: WHITE HMR | | Sheet 11 of 14 |
| | Room: BED 2 | Benchtop Colour: N/A | | Drawer slides: DTC SMOOTH | Carcass: WHITE HMR |
| | Date: 01/11/23 | Address: 2-30 CAMERON AVE OAKLEIGH | | Handles Item No: FINGER PULL | Approved by: |



WGX




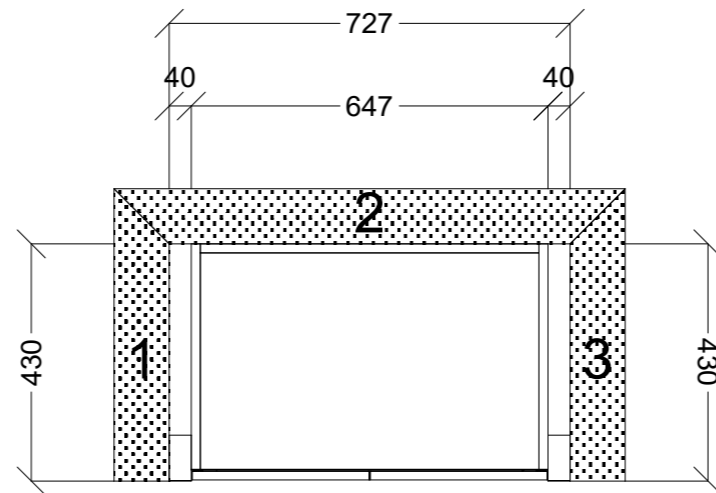
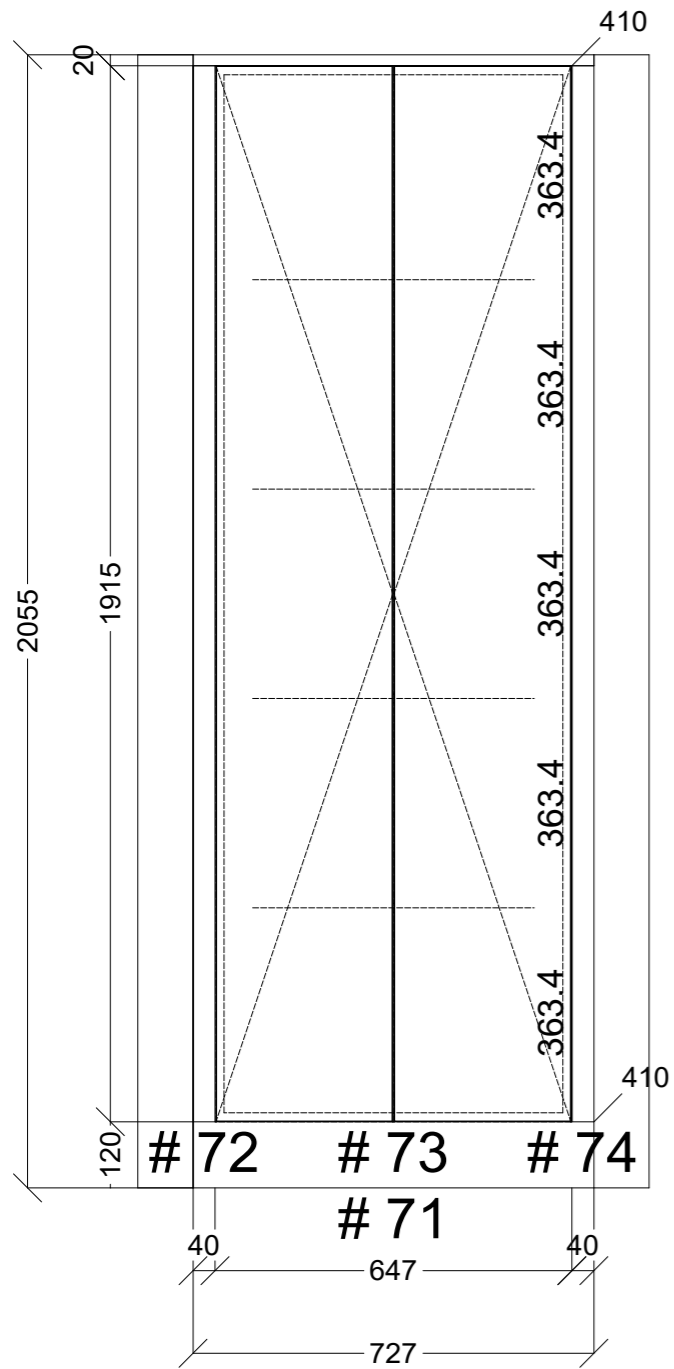
| | | | | | |
|--|------------------------|------------------------------------|---|------------------------------|--------------------|
|  CONNECT KITCHENS | Client: MASTER MENDERS | | Door and panels style/colour: WHITE HMR | | Sheet 12 of 14 |
| | Room: BED 2 | Benchtop Colour: N/A | | Drawer slides: DTC SMOOTH | Carcass: WHITE HMR |
| | Date: 01/11/23 | Address: 2-30 CAMERON AVE OAKLEIGH | | Handles Item No: FINGER PULL | Approved by: |



wjx




| | | | | | |
|--|------------------------|---|--|--|--------------------|
|  CONNECT KITCHENS | Client: MASTER MENDERS | | Door and panels style/colour: BOTTEGA OAK WOODMATT, KICK: CLASSIC WHITE MATT | | Sheet 13 of 14 |
| | Room: 1ST FLOOR BATH | Benchtop Colour: LAMINATE STONEHENGE MATT | Drawer slides: N/A | | Carcass: WHITE HMR |
| | Date: 01/11/23 | Address: 2-30 CAMERON AVE OAKLEIGH | Handles Item No: TBC | | Approved by: |



WJX



| | | | | | |
|--|------------------------|------------------------------------|--|--|--------------------|
|  CONNECT KITCHENS | Client: MASTER MENDERS | | Door and panels style/colour: ESTELLA OAK WOODMATT, KICK: CLASSIC WHITE MATT | | Sheet 14 of 14 |
| | Room: 1ST FLOOR LINEN | Benchtop Colour: N/A | Drawer slides: N/A | | Carcass: WHITE HMR |
| | Date: 01/11/23 | Address: 2-30 CAMERON AVE OAKLEIGH | Handles Item No: TBC | | Approved by: |