

Date of order: **29/11/2023**  
 Order placed by: **Uplife Kitchen Centre Pty Ltd**  
 Company address: **U36, 23-35 Bunney Road, Oakleigh South**  
 Phone:  
 Contact person: **Man 0405 291 752**  
 Email (for contact): [sales@uplifekitchens.com.au](mailto:sales@uplifekitchens.com.au)  
 Email (for tax invoices): [accounts@uplifekitchens.com.au](mailto:accounts@uplifekitchens.com.au)

Order number: **UKC-869**  
 Room number: **Unit 3 cabinets**

Lead time: **One week**  
 Items ready by: **6/12/2023**

Important notice:

# 2455 Finger Pull (NO HANDLE)

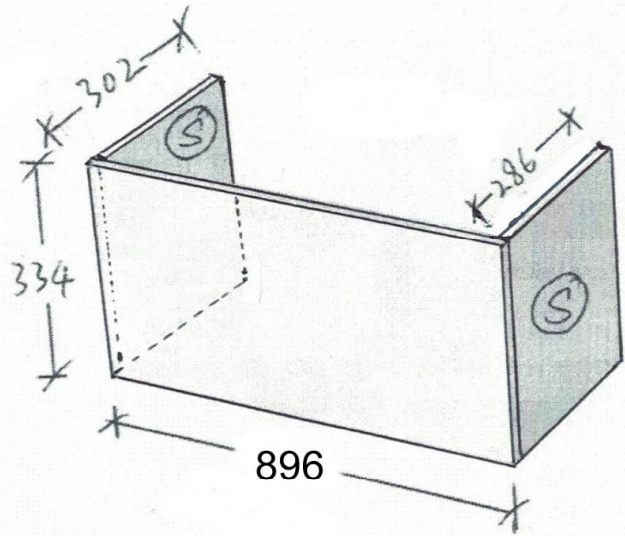
**Please pre-drill hinge holes on both side boards of the cabinet (regardless single door or double doors)**

Code	Type	W	H	D	Hinge position	Shelf	Remark 2	Remark 3	QTY
<b>D600</b>	Drawer cabinet	600	720	560	NO HINGE	With drawer panels (DTC 2xM,1xD)	Cut 56x18 grooves x 3 on side board, follow picture (2)	0	1
<b>F800</b>	Base cabinet	800	720	560	Door H=690, hinges 120/120	1 adjustable shelf	Cut 56x18 groove on side board, follow picture (3)	0	1
<b>F900</b>	Base cabinet	900	720	560	Door H=690, hinges 120/120	1 adjustable shelf	Cut 56x18 groove on side board, follow picture (3)	0	1
<b>F600</b>	Base cabinet	600	720	560	Door H=690, hinges 120/120	1 adjustable shelf	Cut 56x18 groove on side board, follow picture (3)	0	1
<b>O900</b>	Oven cabinet	900	720	560	Colour panel: 2pcs x 45mm/105mm on top & bottom (NO HINGE)	Provide 4 x support bars H89 x W526	Cut 56x18 groove on side board, follow picture (4)	0	1
<b>D600M</b>	Base M/wave cabinet	600	720	560	NO HINGE	1 fixed shelf, with drawer panels (DTC 1xB - back height: 135mm)	Cut 56x18 grooves x 2 on side board, follow picture (6)	0	1
<b>FT950</b>	Fridge cabinet	950	590	400	Door H=628, hinges 120/120, door bottom overhanging 38	1 adjustable shelf	0	0	1
<b>P600S</b>	Pantry cabinet	600	2310	580	Top door H=1588, hinges 120/1/120. Bottom door H=690, hinges 120/120	1 fixed shelf, 4 adjustable shelves	Cut 81x18 groove on side board, follow picture (1). Both side boards need 3 side edging (1L2S)	Back panel moves forward for 16mm	1
<b>H550</b>	Wall cabinet	550	810	320	Door H=848, hinges 120/120, door bottom overhanging 38	2 adjustable shelves	0	0	2
<b>H1000</b>	Wall undermount RH cabinet	1000	810	320	Door H=848, hinges 120/120, door bottom overhanging 38	Refer to image below to provide rangehood cover and fixed shelf.	Cut-out size on the bottom panel: W866 x D250 (Leave 30mm to the front)	0	1

<b>P450</b>	Pantry cabinet	450	2310	580	Door H=2308, 5 hinges 120/3/120	1 fixed shelf at 1800mm above, 4 adjustable shelves	Both side boards need 3 side edging (1L2S)	Back panel moves forward for 16mm	1
<b>F700</b>	Base cabinet	700	720	560	Door H=690, hinges 120/120	1 adjustable shelf	Cut 56x18 groove on side board, follow picture (3)	0	1
<b>F800</b>	Base cabinet	800	720	560	Door H=690, hinges 120/120	1 adjustable shelf	Cut 56x18 groove on side board, follow picture (3)	0	1
<b>H900</b>	Wall cabinet	900	810	320	Door H=848, hinges 120/120, door bottom overhanging 38	2 adjustable shelves	0	0	1
<b>H850</b>	Wall cabinet	850	810	320	Door H=848, hinges 120/120, door bottom overhanging 38	2 adjustable shelves	0	0	1
<b>H425</b>	**Wall cabinet**	425	810	320	Door H=848, hinges 120/120, door bottom overhanging 38	2 adjustable shelves	0	0	1
<b>V900F</b>	Vanity floor cabinet	900	675	428	Door H=500, 2 hinges 120/120	1 adjustable shelf at the middle of 500mm door height	Cut 56x18 groove on side board, follow picture (12)	Front rail height: 145mm & 55mm	1
<b>V800F</b>	Vanity floor cabinet	800	675	428	Door H=500, 2 hinges 120/120	1 adjustable shelf at the middle of 500mm door height	Cut 56x18 groove on side board, follow picture (12)	Front rail height: 145mm & 55mm	1
<b>V400F</b>	Vanity floor cabinet	400	675	428	Door H=500, 2 hinges 120/120	1 adjustable shelf at the middle of 500mm door height	Cut 56x18 groove on side board, follow picture (12)	Front rail height: 145mm & 55mm	2
<b>V600F</b>	Vanity floor cabinet	600	675	428	Door H=500, 2 hinges 120/120	1 adjustable shelf at the middle of 500mm door height	Cut 56x18 groove on side board, follow picture (12)	Front rail height: 145mm & 55mm	1
<b>V300F</b>	Vanity floor cabinet	300	675	428	Door H=500, 2 hinges 120/120	1 adjustable shelf at the middle of 500mm door height	Cut 56x18 groove on side board, follow picture (12)	Front rail height: 145mm & 55mm	2

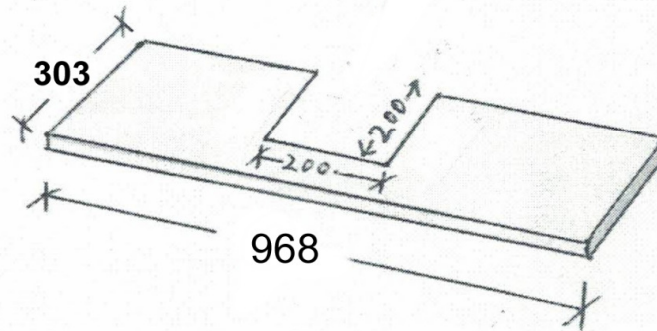
## Use the premade kickers

Code	Type	W	H	D	Hinge position	Shelf	Remark 2	Remark 3	QTY
	Long kicker	2400	150						10
	Short kicker	448	120						20
	Vanity long kicker	2400	100						6
	Vanity short kicker	448	100						12
	横装背条	2400	150				Edging: 2L		1

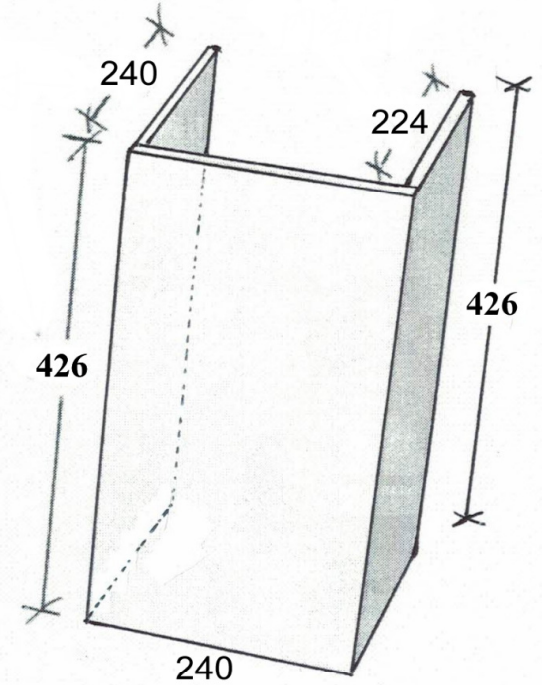


**Removable**

Set pre drill holes on the carcass at 359mm from the bottom of the cabinet to the centre of the pre drill holes  
(It is 367mm from the bottom of the cabinet to the top of this fixed shelf)



**Fixed shelf**



**Removable**