

Date of order: **29/11/2023**
 Order placed by: **Uplife Kitchen Centre Pty Ltd**
 Company address: **U36, 23-35 Bunney Road, Oakleigh South**
 Phone:
 Contact person: **Man 0405 291 752**
 Email (for contact): sales@uplifekitchens.com.au
 Email (for tax invoices): accounts@uplifekitchens.com.au

Order number: **UKC-869**
 Room number: **Unit 2 cabinets**

Lead time: **One week**
 Items ready by: **6/12/2023**

Important notice:

2455 (Normal with handles)

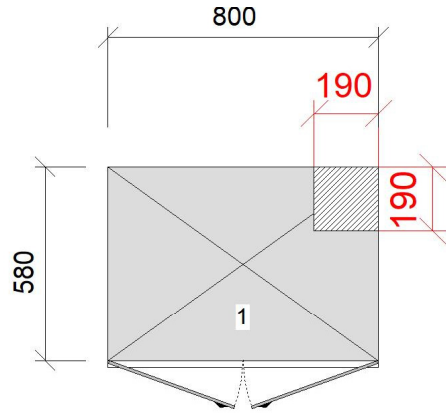
Please pre-drill hinge holes on both side boards of the cabinet (regardless single door or double doors)

Code	Type	W	H	D	Hinge position	Shelf	Remark 2	Remark 3	QTY
D800	Drawer cabinet	800	720	560	NO HINGE	With drawer panels (DTC 1xM,2xD)	0	0	1
F700	Base cabinet	700	720	560	Door H=718, hinges 100/100	1 adjustable shelf	Front rail height: 60mm only	0	2
F400	Base cabinet	400	720	560	Door H=718, hinges 100/100	1 adjustable shelf	Front rail height: 60mm only	0	2
F900	Sink cabinet	900	720	560	Door H=718, hinges 100/100	1 adjustable shelf	Front rail height: 60mm only	0	1
O900	Oven cabinet	900	720	560	Colour panel: 2pcs x 60mm/120mm on top & bottom (NO HINGE)	Provide 4 x support bars: H104 x W526	0	0	1
F900	Base cabinet	900	720	560	Door H=718, hinges 100/100	1 adjustable shelf	Front rail height: 60mm only	0	1
FT950	Fridge cabinet	950	610	400	Door H=628, hinges 120/120, door bottom overhanging 18	1 adjustable shelf	0	0	1
P800	Pantry cabinet	800	2310	580	Door H=2308, 5 hinges 120/3/120	1 fixed shelf, 4 adjustable shelves	Please refer to the image below to cut the corner of the cabinet away (for the pipe on that corner)	Back panel moves forward for 16mm	1
H850	Wall cabinet	850	830	320	Door H=848, hinges 120/120, door bottom overhanging 18	2 adjustable shelves	0	0	1

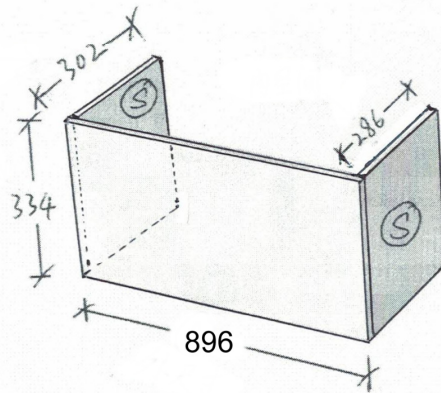
H800	Wall cabinet	800	830	320	Door H=848, hinges 120/120, door bottom overhanging 18	2 adjustable shelves	0	0	1
H750	Wall cabinet	750	830	320	Door H=848, hinges 120/120, door bottom overhanging 18	2 adjustable shelves	0	0	2
H1000	Wall undermount RH cabinet	1000	830	320	Door H=848, hinges 120/120, door bottom overhanging 18	Refer to image below to provide rangehood cover and fixed shelf.	Cut-out size on the bottom panel: W866 x D250 (Leave 30mm to the front)	0	1
F850	Sink cabinet	850	720	560	Door H=718, hinges 100/100	1 adjustable shelf	Front rail height: 60mm only	0	1
H850	Wall cabinet	850	830	320	Door H=848, hinges 120/120, door bottom overhanging 18	2 adjustable shelves	0	0	1
V900W	Vanity wall hung cabinet	900	530	428	Door H=500, 2 hinges 120/120	1 adjustable shelf	Cut 56x18 groove on side board	0	2
V400W	Vanity wall hung cabinet	400	530	428	Door H=500, 2 hinges 120/120	1 adjustable shelf	Cut 56x18 groove on side board	0	1
V350W	Vanity wall hung cabinet	350	530	428	Door H=500, 2 hinges 120/120	1 adjustable shelf	Cut 56x18 groove on side board	0	1
V700W	Vanity wall hung cabinet	700	530	428	Door H=500, 2 hinges 120/120	1 adjustable shelf	Cut 56x18 groove on side board	0	1
	Melamine panel	480	870				Edging: 1L 1S		1

Use the premade kickers

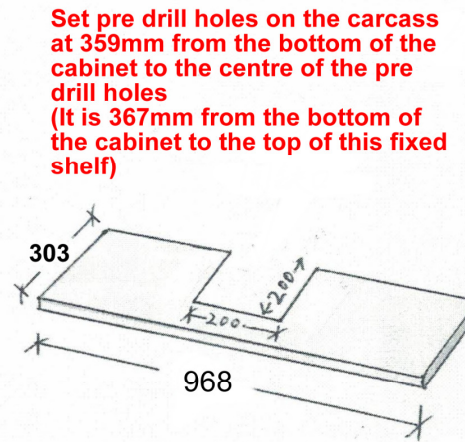
Code	Type	W	H	D	Hinge position	Shelf	Remark 2	Remark 3	QTY
	Long kicker	2400	150						10
	Short kicker	448	120						20
	橫裝背条	2400	150				Edging: 2L		1



Unit 2 - 800mm pantry cabinet
 (cut out on the corner to avoid hitting the pipe)

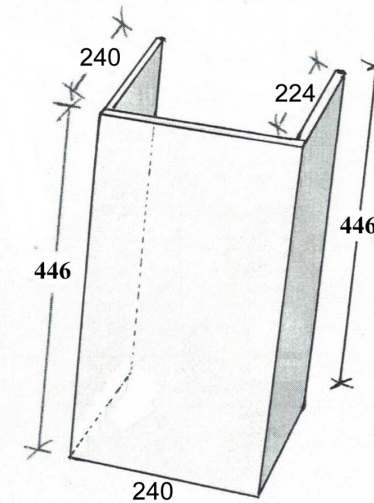


Removable



Fixed shelf

Set pre drill holes on the carcass at 359mm from the bottom of the cabinet to the centre of the pre drill holes
 (It is 367mm from the bottom of the cabinet to the top of this fixed shelf)



Removable