

Date of order: **28/11/2023**
 Order placed by: **Uplife Kitchen Centre Pty Ltd**
 Company address: **U36, 23-35 Bunney Road, Oakleigh South**
 Email (for contact): sales@uplifekitchens.com.au
 Email (for tax invoices): accounts@uplifekitchens.com.au

Order number: **UKC-869**
 Room number: **Unit 1 cabinets**

Important notice:

2455 (Normal with handles)

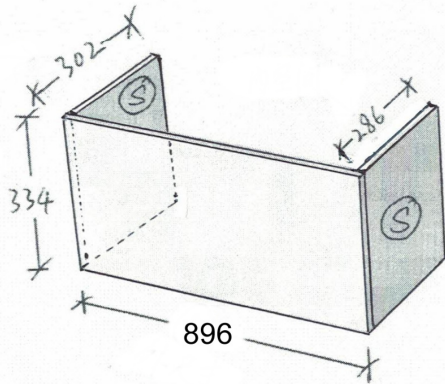
Please pre-drill hinge holes on both side boards of the cabinet (regardless single door or double doors)

Code	Type	W	H	D	Hinge position	Shelf	Remark 2	Remark 3	QTY
D800	Drawer cabinet	800	720	560	NO HINGE	With drawer panels (DTC 1xM,2xD)	0	0	1
F700	Base cabinet	700	720	560	Door H=718, hinges 100/100	1 adjustable shelf	Front rail height: 60mm only	0	1
F850	Sink cabinet	850	720	560	Door H=718, hinges 100/100	1 adjustable shelf	Front rail height: 60mm only	0	1
F750	Base cabinet	750	720	560	Door H=718, hinges 100/100	1 adjustable shelf	Front rail height: 60mm only	0	2
F300	Base cabinet	300	720	560	Door H=718, hinges 100/100	1 adjustable shelf	Front rail height: 60mm only	0	1
O900	Oven cabinet	900	720	560	Colour panel: 2pcs x 60mm/120mm on top & bottom (NO HINGE)	Provide 4 x support bars: H104 x W526	0	0	1
FT750	Fridge cabinet	750	610	400	Door H=628, hinges 120/120, door bottom overhanging 18	1 adjustable shelf	0	0	1
P450	Pantry cabinet	450	2310	580	Door H=2308, 5 hinges 120/3/120	1 fixed shelf, 4 adjustable shelves	Follow picture (11). Both side boards need 3 side edging (1L2S)	Back panel moves forward for 16mm	1
H250	Wall cabinet	250	830	320	Door H=848, hinges 120/120, door bottom overhanging 18	2 adjustable shelves	0	0	1
H750	Wall cabinet	750	830	320	Door H=848, hinges 120/120, door bottom overhanging 18	2 adjustable shelves	0	0	1
H700	Wall cabinet	700	830	320	Door H=848, hinges 120/120, door bottom overhanging 18	2 adjustable shelves	0	0	1
H1000	Wall undermount RH cabinet	1000	830	320	Door H=848, hinges 120/120, door bottom overhanging 18	Refer to image below to provide rangehood cover and fixed shelf.	Cut-out size on the bottom panel: W866 x D250 (Leave 30mm to the front)	0	1
F900	Sink cabinet	900	720	560	Door H=718, hinges 100/100	1 adjustable shelf	Front rail height: 60mm only	0	1

F450	Base cabinet	450	720	560	Door H=718, hinges 100/100	1 adjustable shelf	Front rail height: 60mm only	0	1
H900	Wall cabinet	900	830	320	Door H=848, hinges 120/120, door bottom overhanging 18	2 adjustable shelves	0	0	1
H450	Wall cabinet	450	830	320	Door H=848, hinges 120/120, door bottom overhanging 18	2 adjustable shelves	0	0	1
V850W	Vanity wall hung cabinet	850	530	405	Door H=500, 2 hinges 120/120	1 adjustable shelf	Cut 56x18 groove on side board	0	2
V850W	Vanity wall hung cabinet	850	530	428	Door H=500, 2 hinges 120/120	1 adjustable shelf	Cut 56x18 groove on side board	0	1
	Melamine panel	480	870				Edging: 1L 1S		1

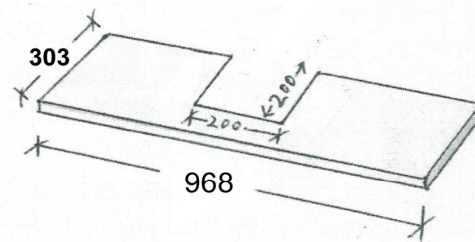
Use the premade kickers

Code	Type	W	H	D	Hinge position	Shelf	Remark 2	Remark 3	QTY
	Long kicker	2400	150						10
	Short kicker	448	120						18
	橫裝背条	2400	150				Edging: 2L		1

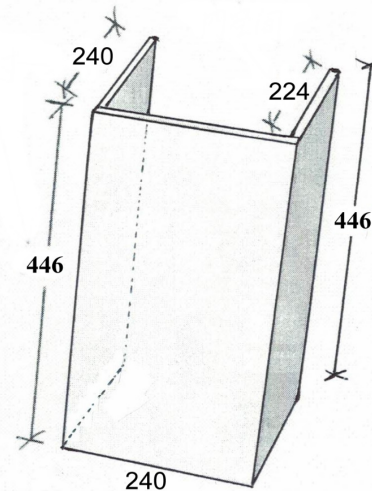


Removable

Set pre drill holes on the carcass at 359mm from the bottom of the cabinet to the centre of the pre drill holes
(It is 367mm from the bottom of the cabinet to the top of this fixed shelf)



Fixed shelf



Removable