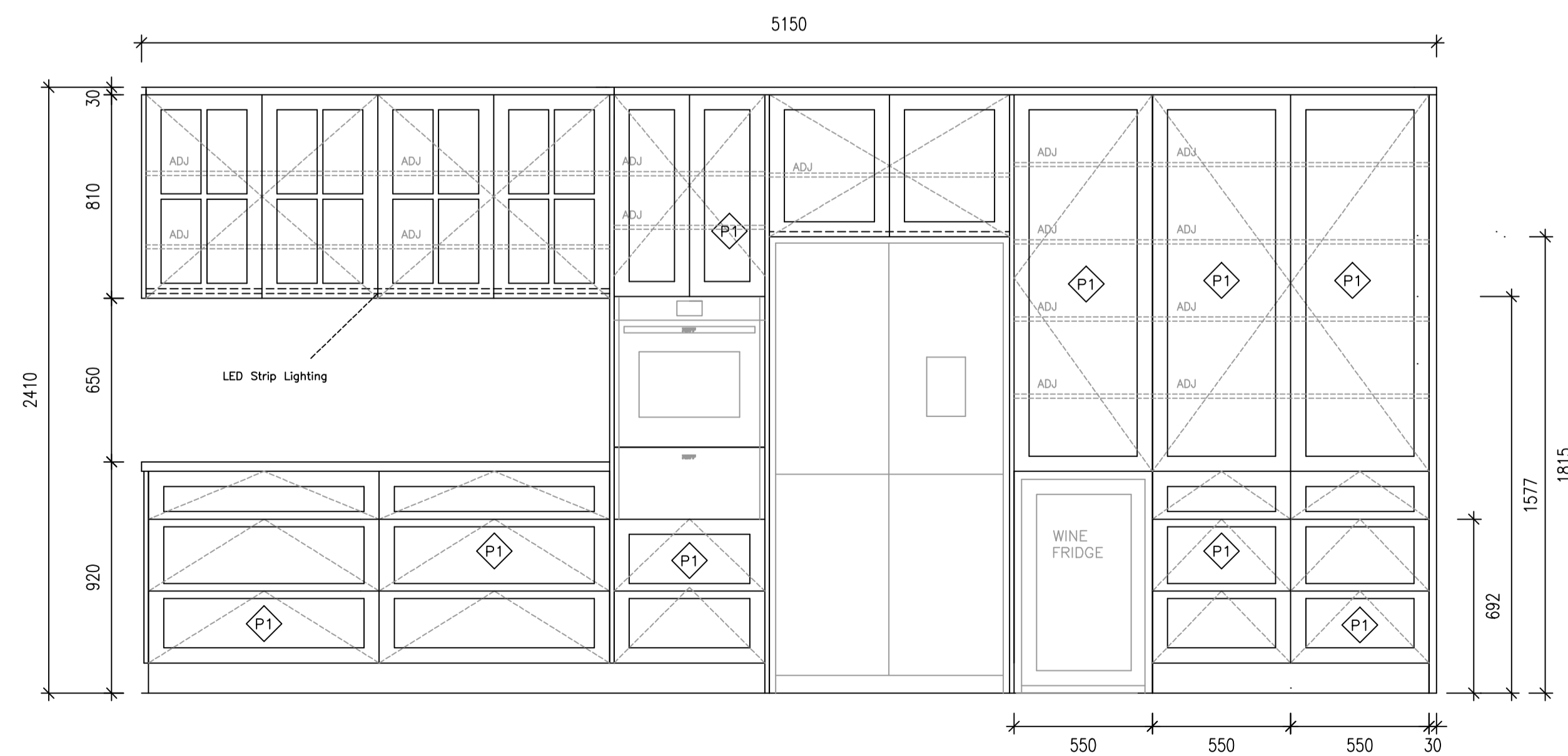
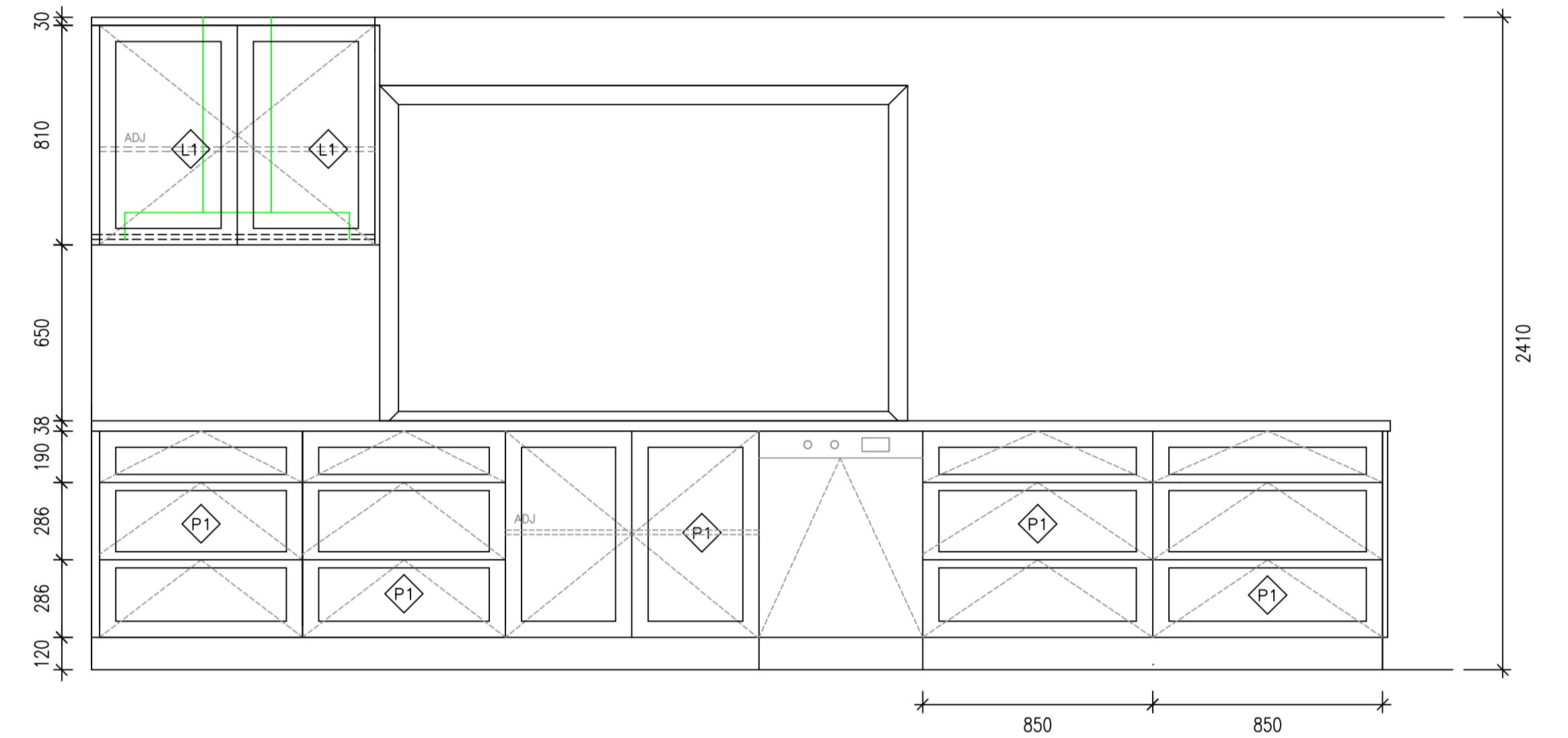


PLAN VIEW





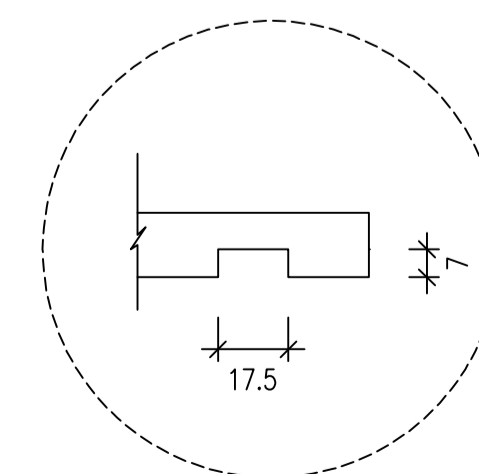
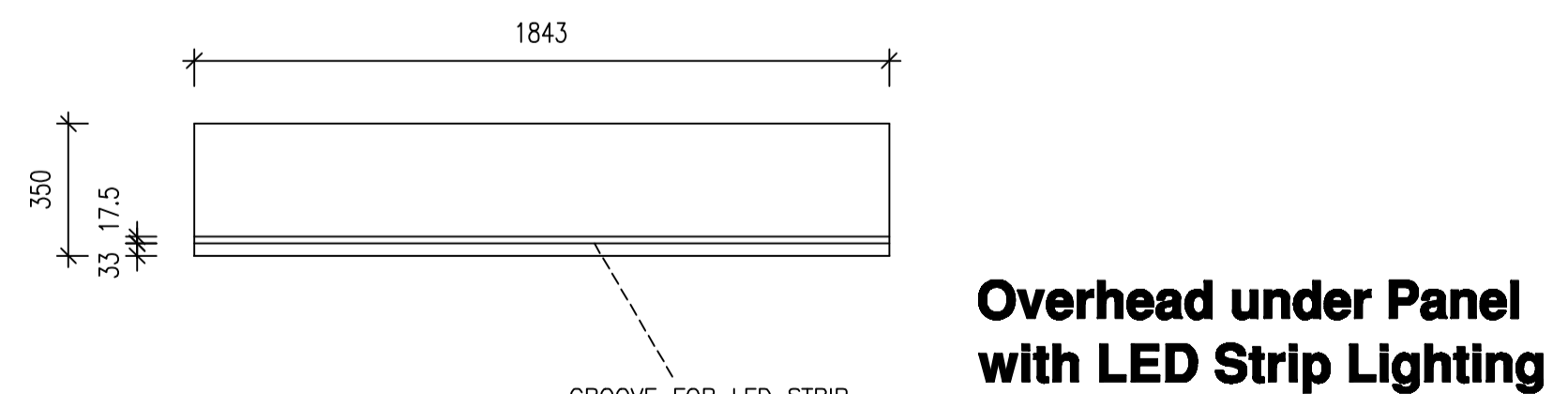
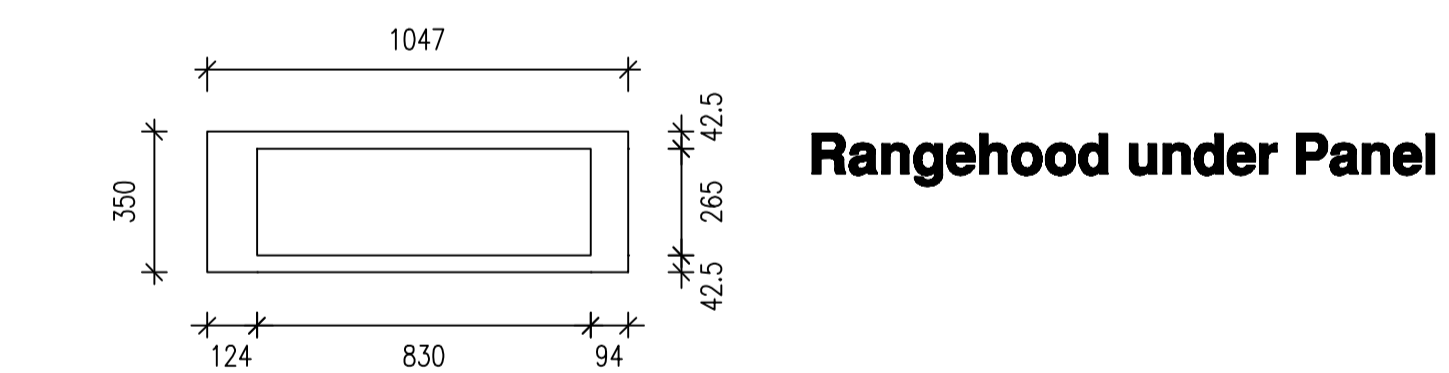
ELEVATION B



ELEVATION A

FINISHES

-  38mm TIGHTFORM LAMINATED BENCHTOPS COLOUR TBC
-  POLYTEC CASINO SHAKER DOORS AND DRAWERS AND FLAT PANELS FINISHED IN 2 PAC SATIN DULUX LEXICON QUARTER



JO'S MAKEOVERS



PROJECT:
10 COLIN CRT
DINGLEY VILLAGE

Drawing Title : KITCHEN
Date: 07/12/2023
Drawing No. A1
Revision : D
Drawn : AC

PLANS INSPECTED AND APPROVED FOR CONSTRUCTION

NAME _____

SIGNED _____

DATED / /