
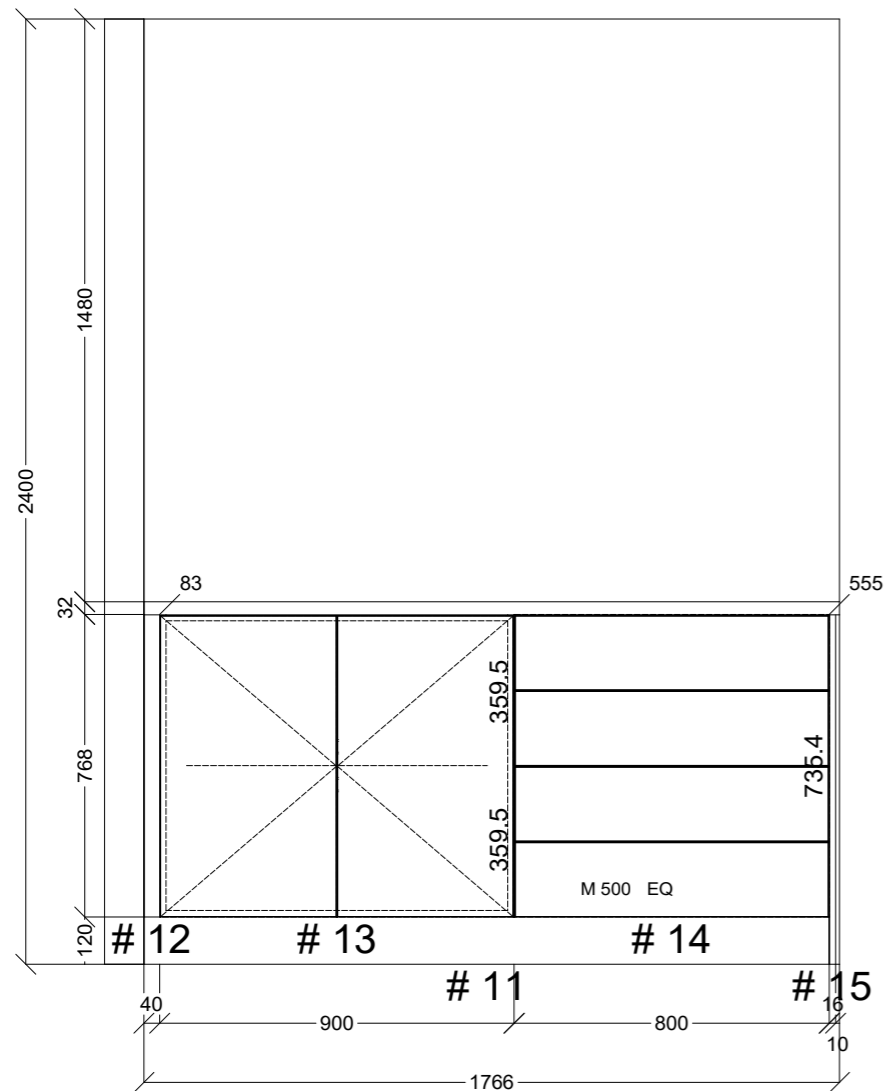
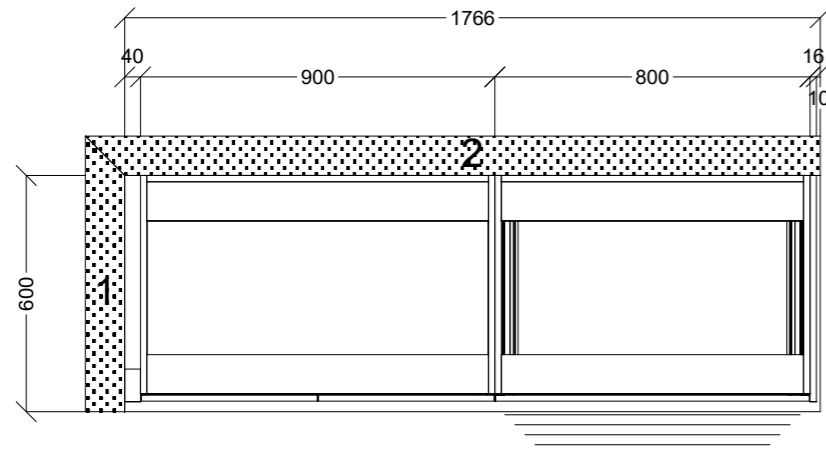

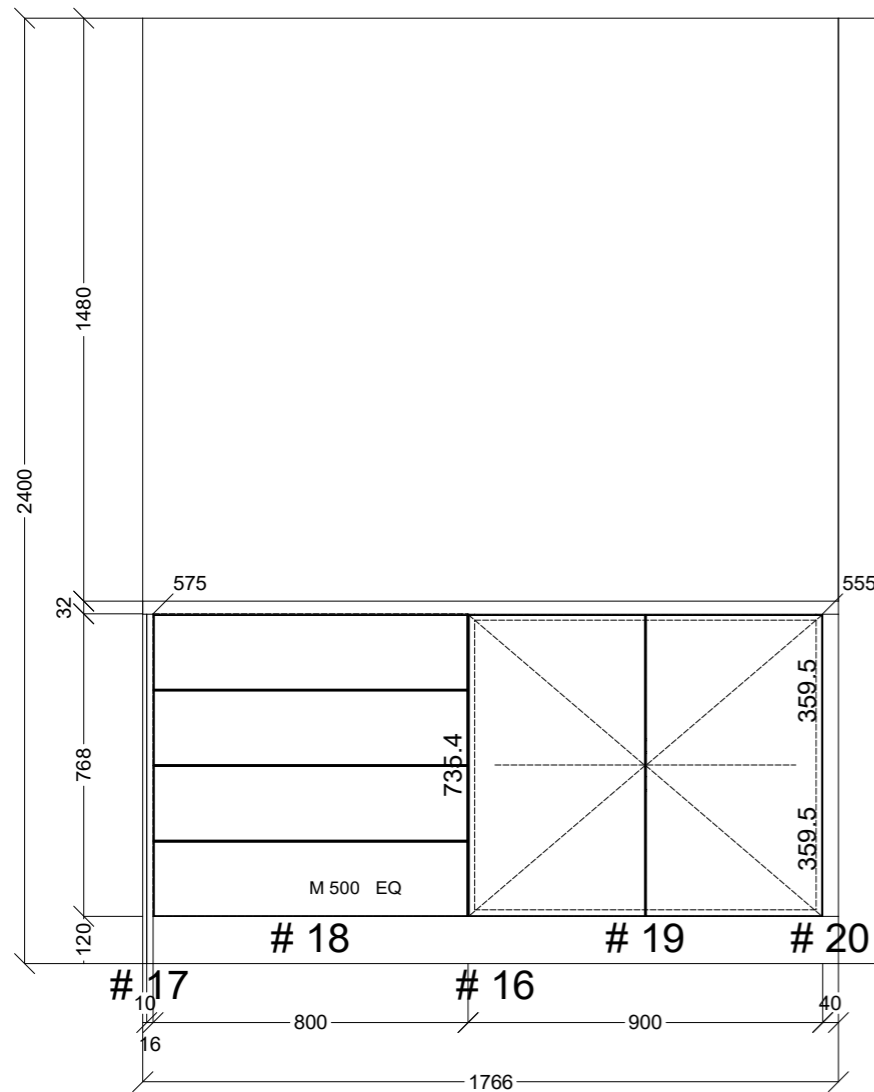
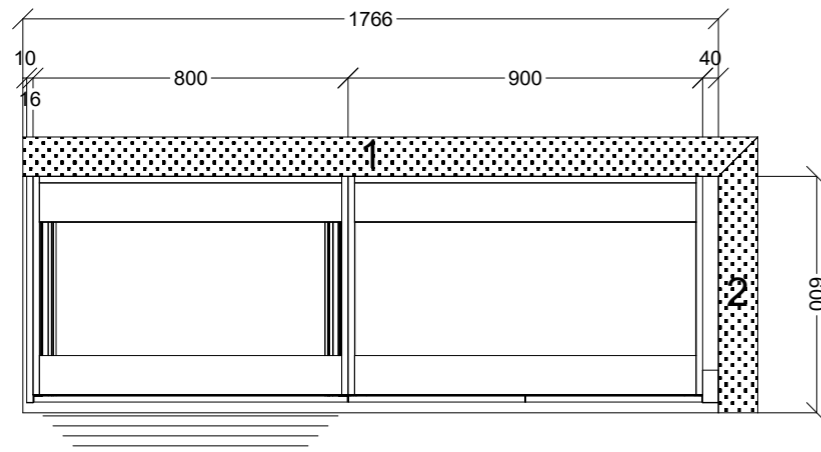



| | | | | | |
|--|-------------------------------------|------------------------------------|--|---------------------------|--------------------|
|  CONNECT KITCHENS | Client: DONCASTER HANDYMAN SERVICES | | Door and panels style/colour: POLAR WHITE MATT | | Sheet 1 of 3 |
| | Room: ROOM 1 | Benchtop Colour: POLAR WHITE MATT | | Drawer slides: DTC SMOOTH | Carcass: WHITE HMR |
| | Date: 14/12/23 | Address: NORTHCOTE PLAZA SHOP GZ06 | Handles Item No: 160D NICKEL | Approved by: | |



| | | | | | |
|--|-------------------------------------|------------------------------------|--|---------------------------|--------------------|
|  | Client: DONCASTER HANDYMAN SERVICES | | Door and panels style/colour: POLAR WHITE MATT | | Sheet 2 of 3 |
| | Room: ROOM 2 | Benchtop Colour: POLAR WHITE MATT | | Drawer slides: DTC SMOOTH | Carcass: WHITE HMR |
| | Date: 14/12/23 | Address: NORTHCOTE PLAZA SHOP GZ06 | Handles Item No: 160D NICKEL | Approved by: | |



| | | | | | |
|--|-------------------------------------|------------------------------------|--|---------------------------|--------------------|
|  | Client: DONCASTER HANDYMAN SERVICES | | Door and panels style/colour: POLAR WHITE MATT | | Sheet 3 of 3 |
| | Room: ROOM 3 | Benchtop Colour: POLAR WHITE MATT | | Drawer slides: DTC SMOOTH | Carcass: WHITE HMR |
| | Date: 14/12/23 | Address: NORTHCOTE PLAZA SHOP GZ06 | Handles Item No: 160D NICKEL | Approved by: | |