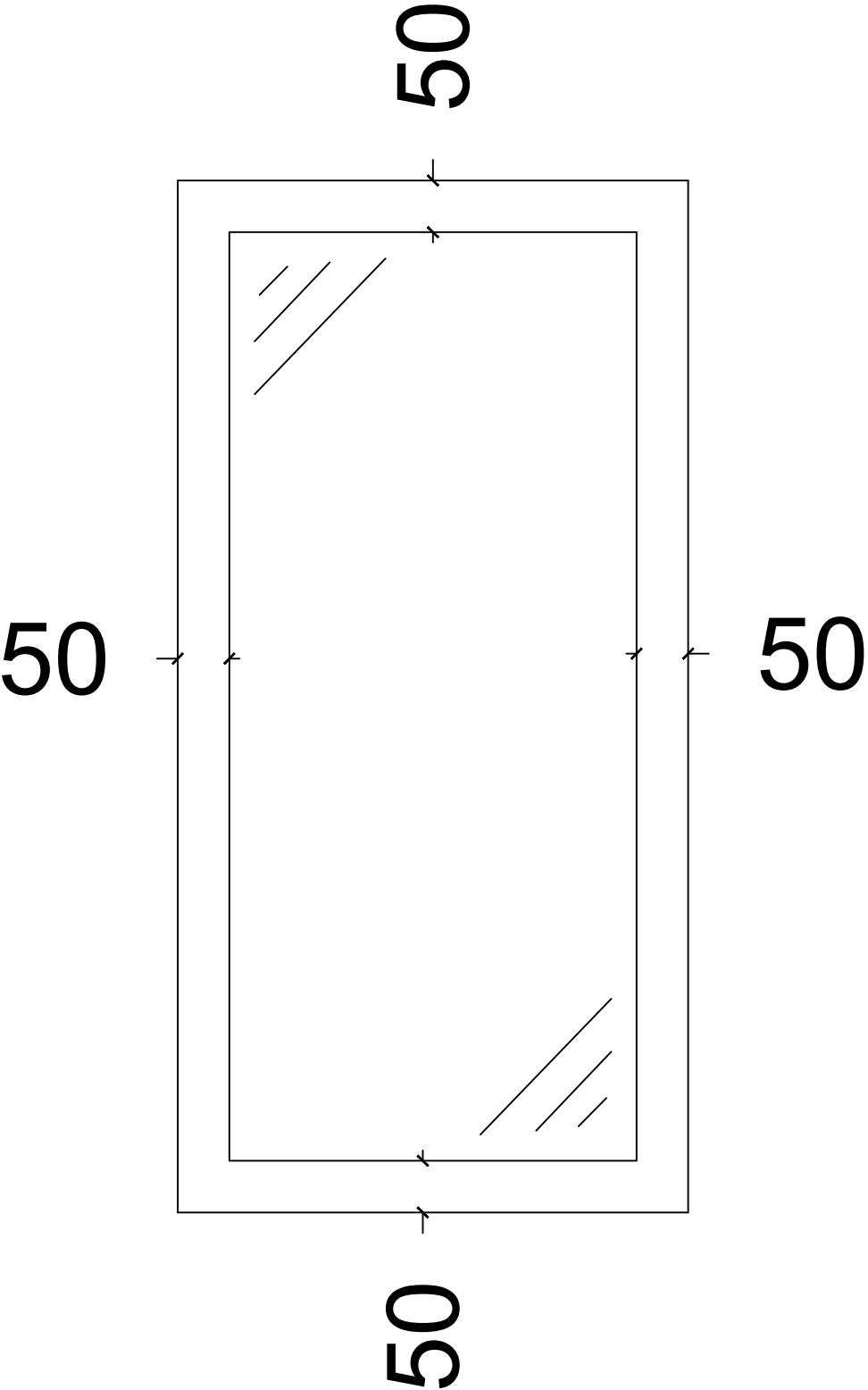


Cab #1,2



Cab #5

