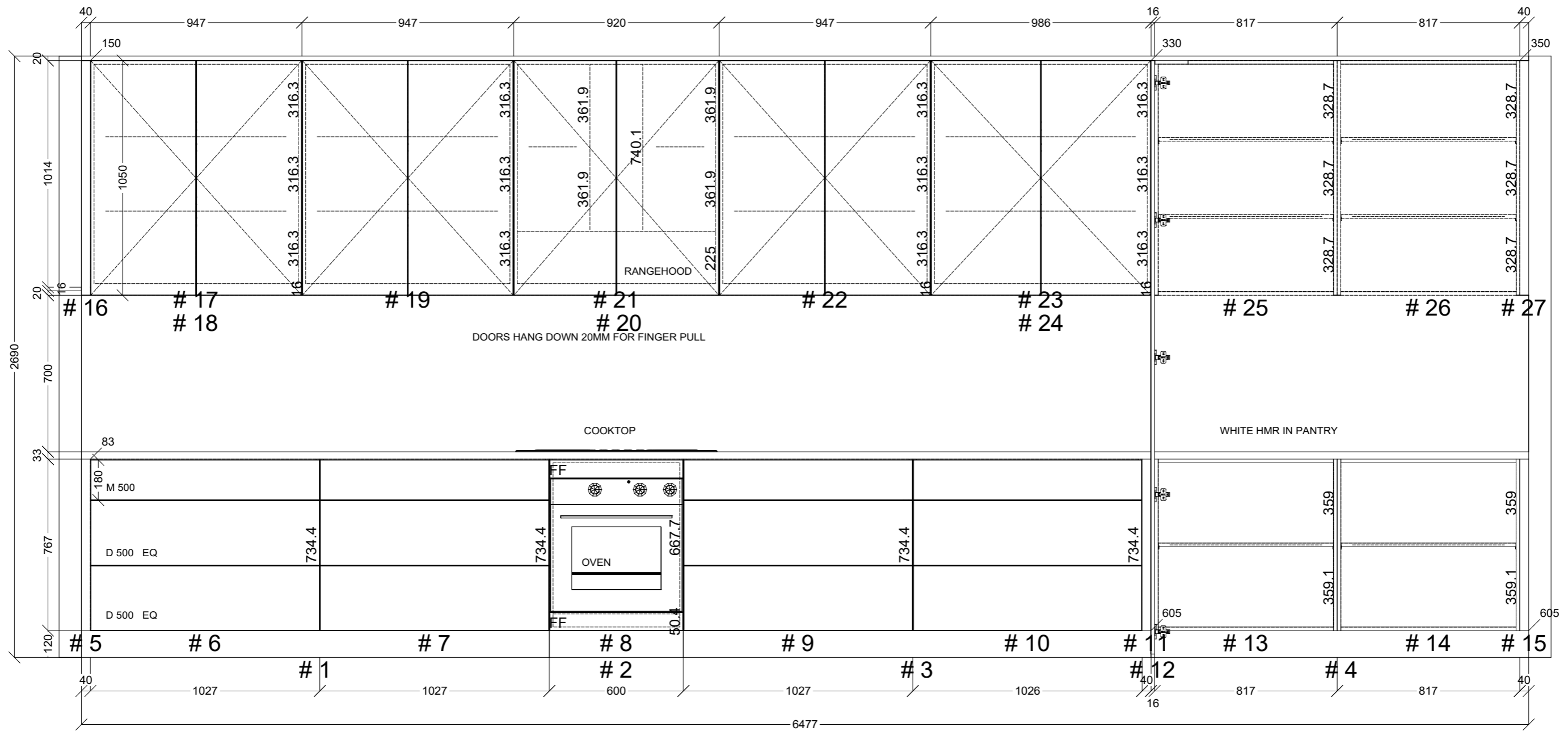

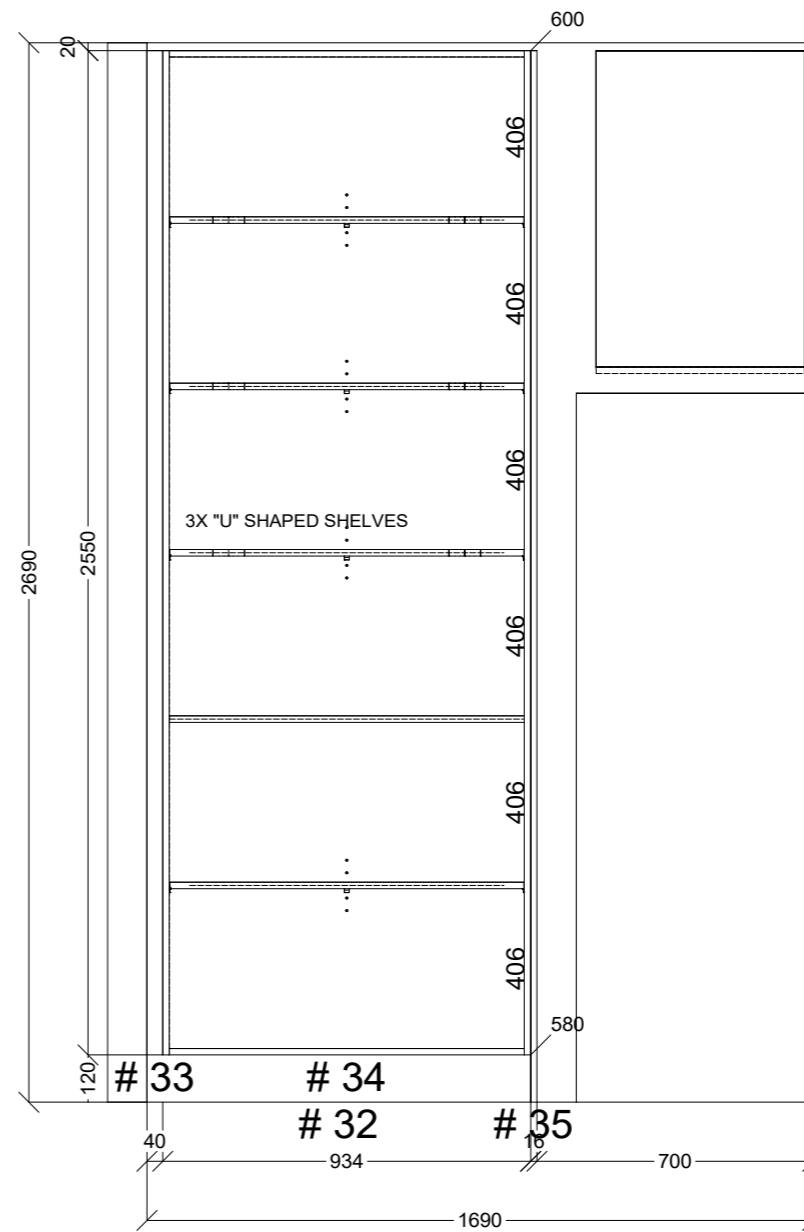
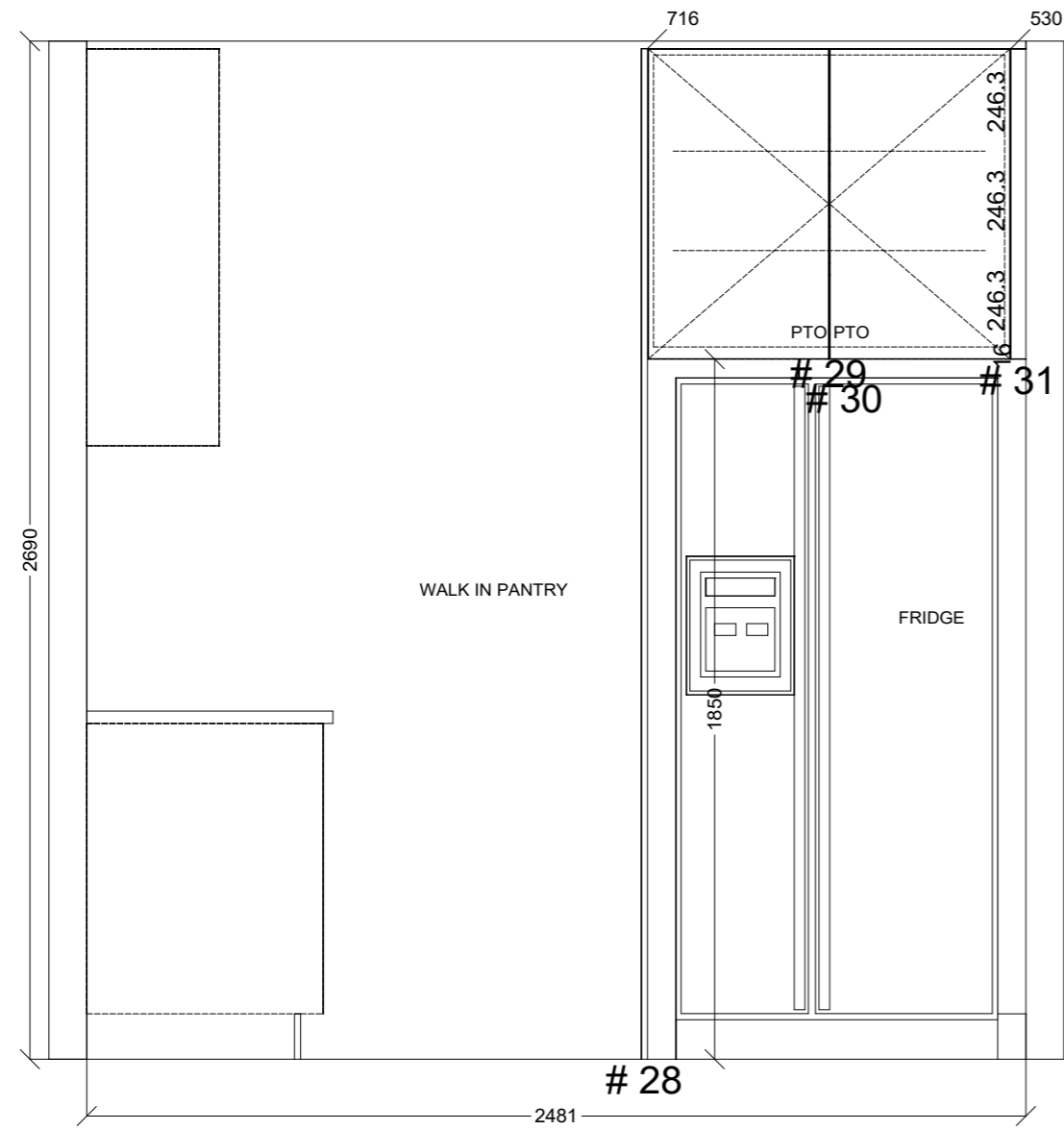



	Client: SHAUN/WILLIAM GRACE CONSTRUCTIONS		Door and panels style/colour: WHITE ANTI FINGERPRINT TBA		Sheet 1 of 7
	Room: KITCHEN	Benchtop Colour: 33MM POLYTEC NAVONA STONE MATERA	Drawer slides: BLUM ANTARO		Carcass: WHITE HMR
	Date: 26/02/24	Address: 25 CARWEEN AVE MITCHAM	Handles Item No: TBA <i>BARSETTA D HANDLE 160mm</i>		Approved by:

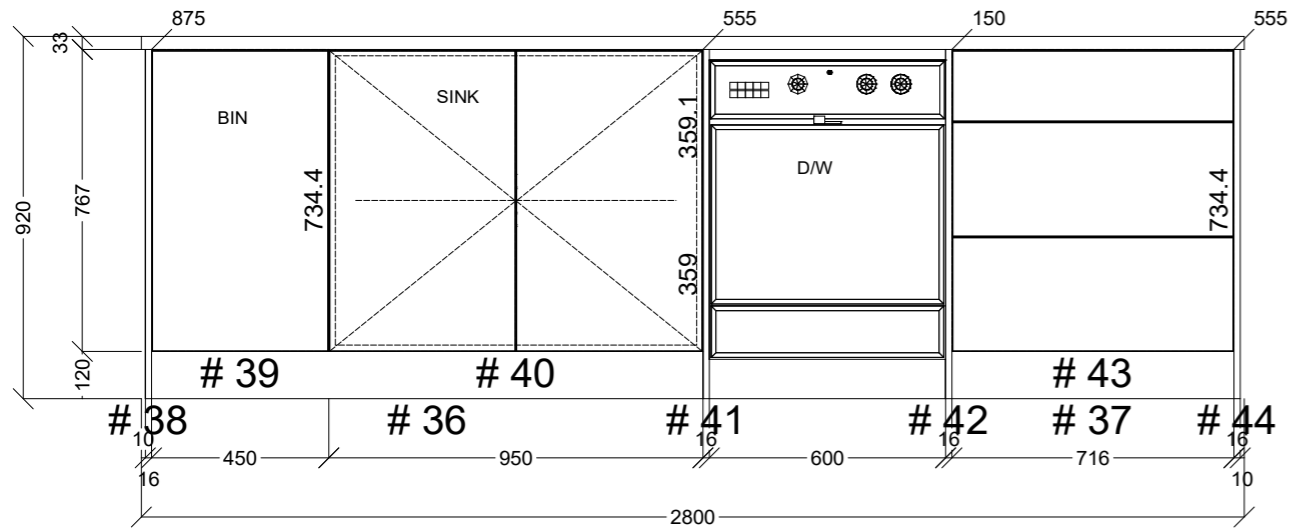


	Client: SHAUN/WILLIAM GRACE CONSTRUCTIONS		Door and panels style/colour: WHITE ANTI FINGERPRINT TBA		Sheet 2 of 7
	Room: KITCHEN	Benchtop Colour: 33MM POLYTEC NAVONA STONE MATERA	Drawer slides: BLUM ANTARO		Carcass: WHITE HMR
	Date: 26/02/24	Address: 25 CARWEEN AVE MITCHAM	Handles Item No: TBA		Approved by:

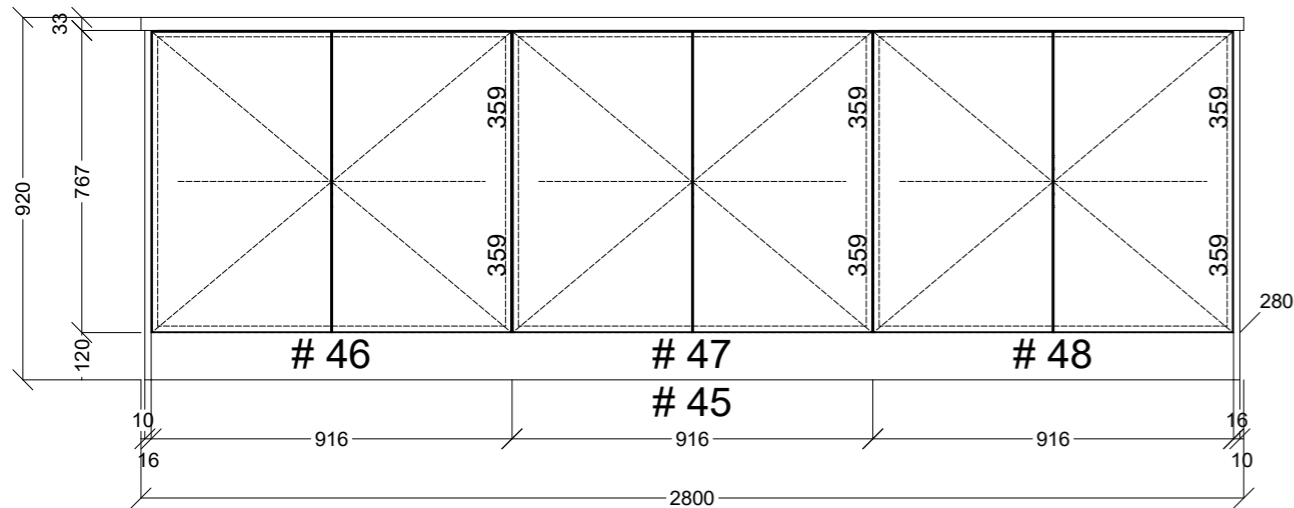



	Client: SHAUN/WILLIAM GRACE CONSTRUCTIONS		Door and panels style/colour: WHITE ANTI FINGERPRINT TBA		Sheet 3 of 7
	Room: KITCHEN	Benchtop Colour: 33MM POLYTEC NAVONA STONE MATERA	Drawer slides: BLUM ANTARO		Carcass: WHITE HMR
	Date: 26/02/24	Address: 25 CARWEEN AVE MITCHAM	Handles Item No: TBA		Approved by:

ISLAND FRONT




ISLAND REAR




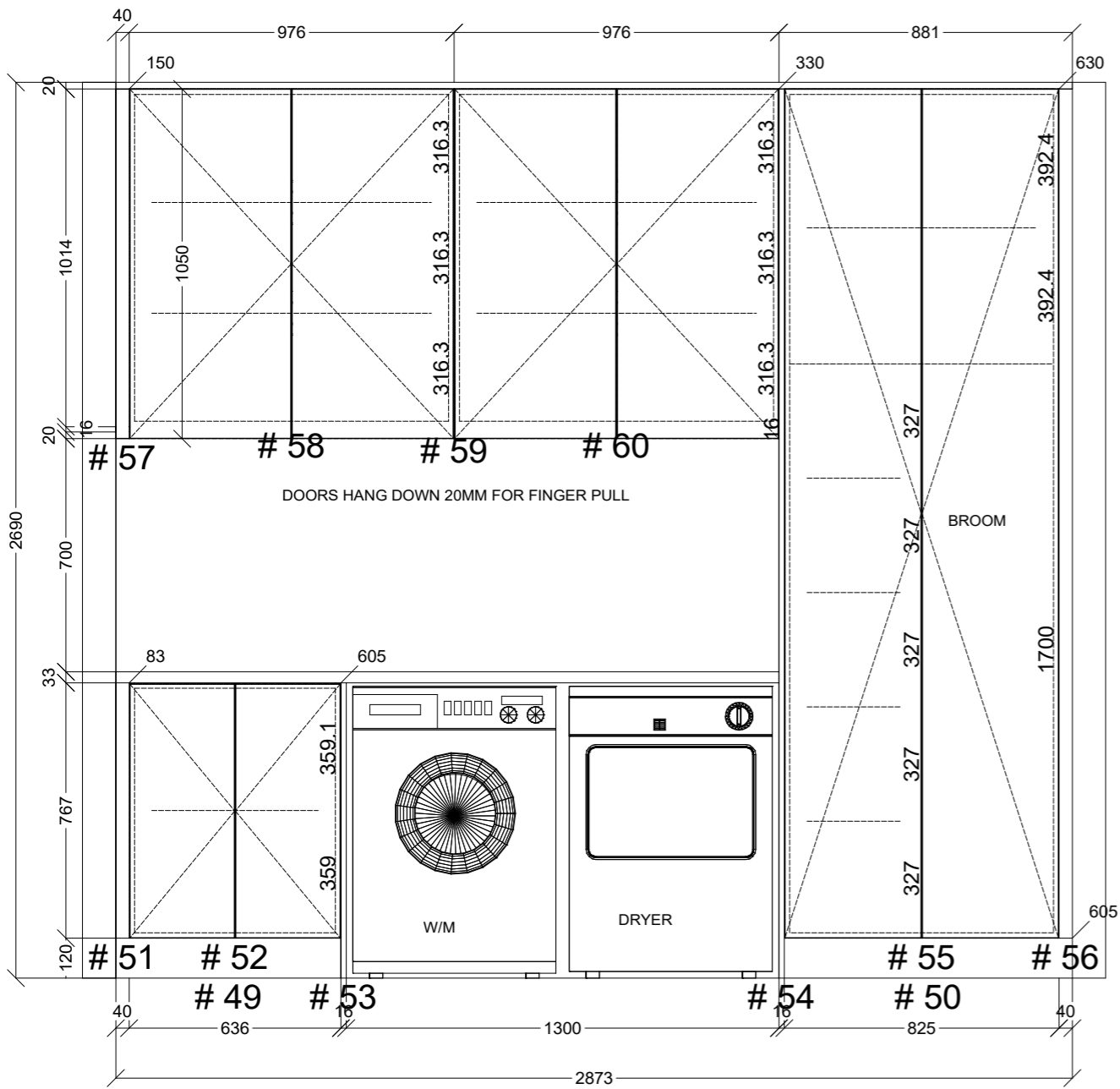
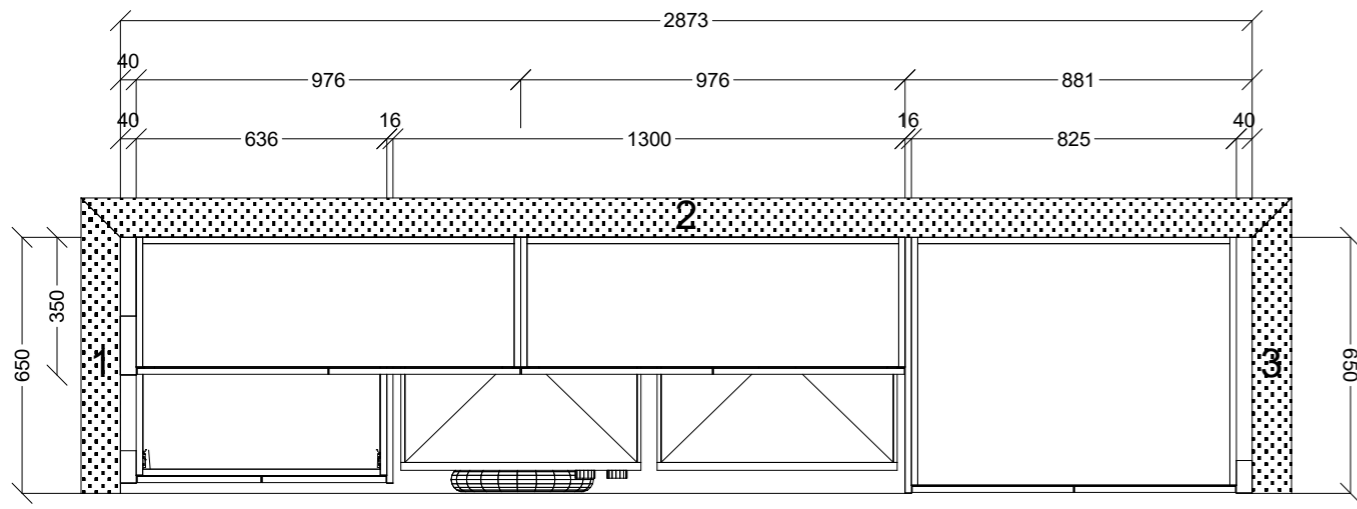
 CONNECT KITCHENS	Client: SHAUN/WILLIAM GRACE CONSTRUCTIONS		Door and panels style/colour: WHITE ANTI FINGERPRINT TBA		Sheet 4 of 7
	Room: KITCHEN	Benchtop Colour: 33MM POLYTEC NAVONA STONE MATERA	Drawer slides: BLUM ANTARO		Carcass: WHITE HMR
	Date: 26/02/24	Address: 25 CARWEEN AVE MITCHAM	Handles Item No: TBA		Approved by:




 CONNECT KITCHENS	Client: SHAUN/WILLIAM GRACE CONSTRUCTIONS		Door and panels style/colour: WHITE ANTI FINGERPRINT TBA		Sheet 5 of 7
	Room: KITCHEN	Benchtop Colour: 33MM POLYTEC NAVONA STONE MATERA	Drawer slides: BLUM ANTARO		Carcass: WHITE HMR
	Date: 26/02/24	Address: 25 CARWEEN AVE MITCHAM	Handles Item No: TBA		Approved by:



	Client: SHAUN/WILLIAM GRACE CONSTRUCTIONS		Door and panels style/colour: WHITE ANTI FINGERPRINT TBA		Sheet 6 of 7
	Room: KITCHEN	Benchtop Colour: 33MM POLYTEC NAVONA STONE	Drawer slides: BLUM ANTARO		Carcass: WHITE HMR
	Date: 26/02/24	Address: 25 CARWEEN AVE MITCHAM	Handles Item No: TBA		Approved by:



 CONNECT KITCHENS	Client: SHAUN/WILLIAM GRACE CONSTRUCTIONS		Door and panels style/colour: WHITE ANTI FINGERPRINT TBA		Sheet 7 of 7
	Room: LAUNDRY	Benchtop Colour: 33MM POLYTEC NAVONA STONE MATERA	Drawer slides: N/A		Carcass: WHITE HMR
	Date: 26/02/24	Address: 25 CARWEEN AVE MITCHAM	Handles Item No: TBA <i>BARIETTA O HANCO 160mm</i>		Approved by: