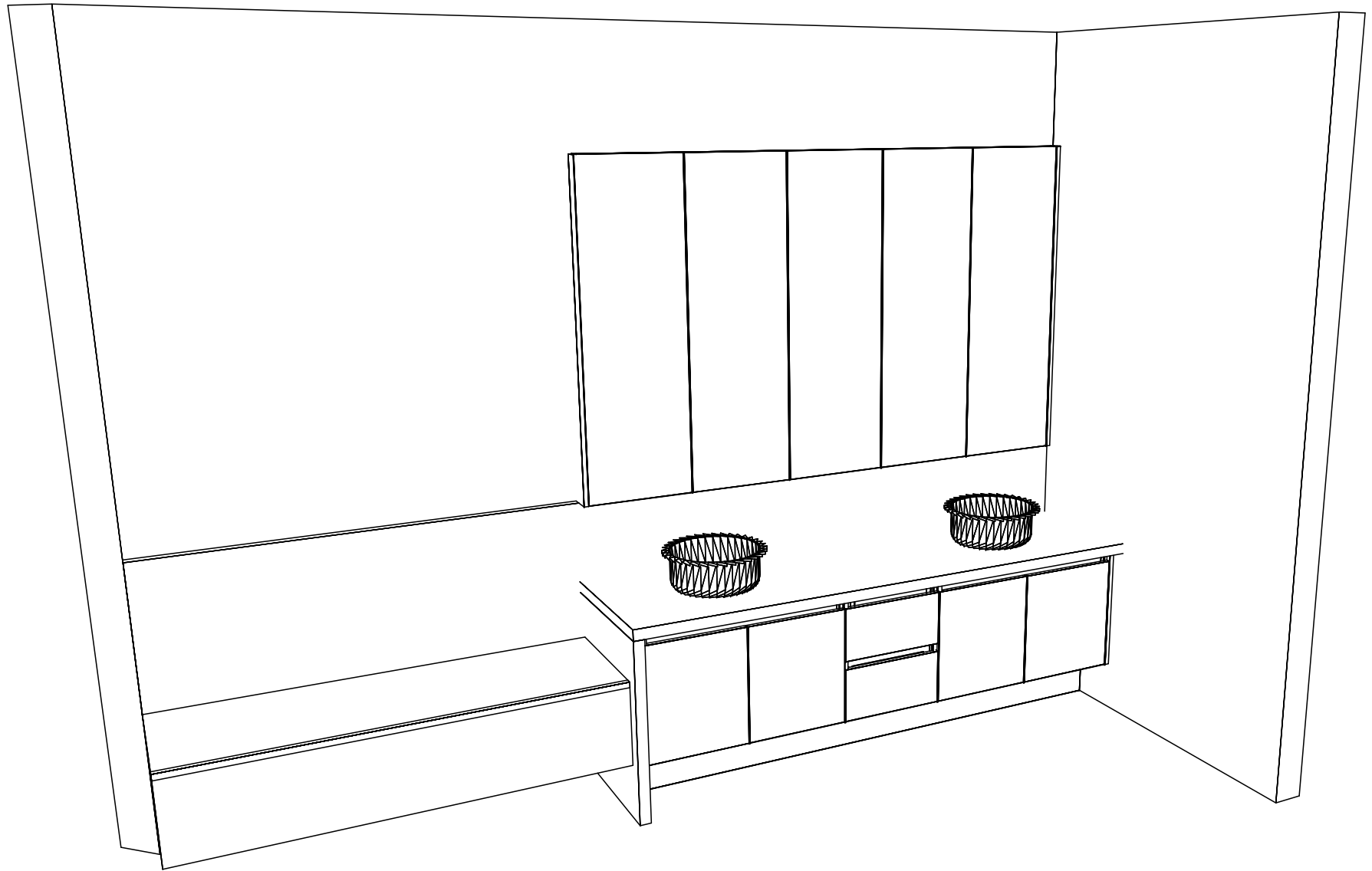
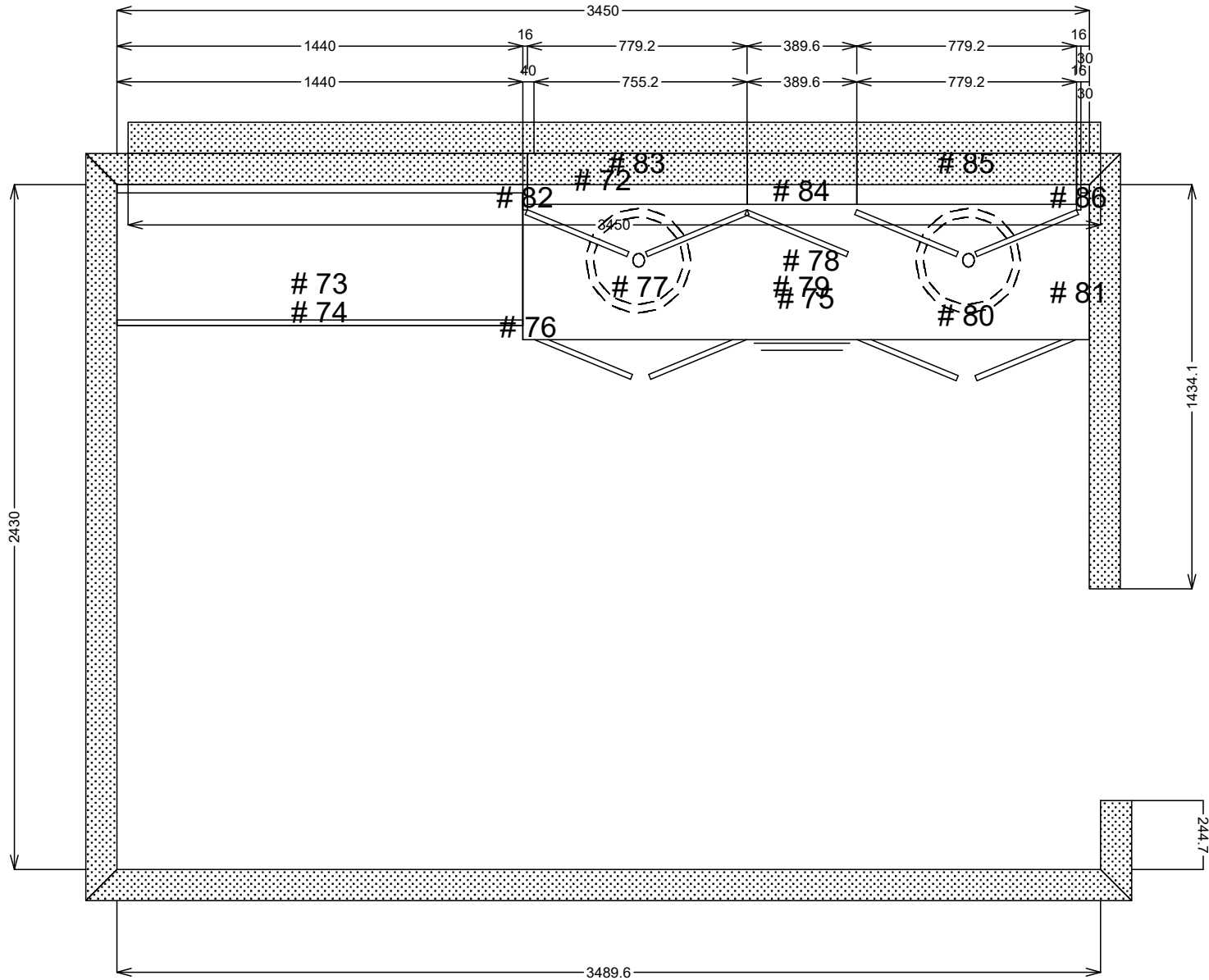


Ensuite 1



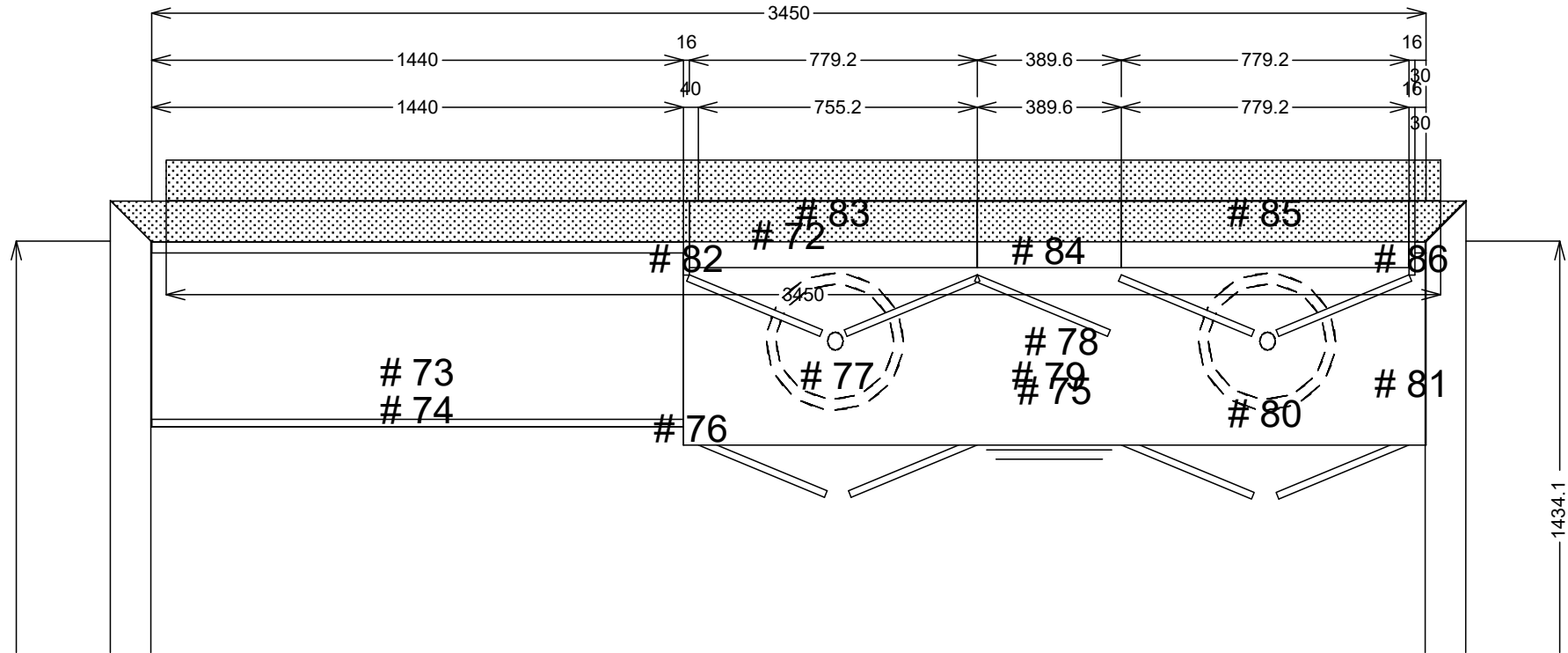
SJ Custom Kitchens	Phone: 0432 101 986	Job #: Job	Site Contact: Daniel	Date: 04/03/24
	Email: sjcustomkitchens@hotmail.com	Job Name: Default	Site Phone:	Drawn By:
	Web: www.sjcustomkitchens.com	Room #:	Site Address:	Drawing #: 1
		Room Name:	City: State: Victoria.	Scale: NTS

Ensuite 1



SJ Custom Kitchens	Phone: 0432 101 986	Job #: Job	Site Contact: Daniel	Date: 04/03/24
	Email: sjcustomkitchens@hotmail.com	Job Name: Default	Site Phone:	Drawn By:
	Web: www.sjcustomkitchens.com	Room #:	Site Address:	Drawing #: 2
		Room Name:	City: Victoria.	State: Victoria.

Ensuite 1



SJ Custom Kitchens	Phone: 0432 101 986	Job #: Job	Site Contact: Daniel	Date: 04/03/24
	Email: sjcustomkitchens@hotmail.com	Job Name: Default	Site Phone:	Drawn By:
	Web: www.sjcustomkitchens.com	Room #:	Site Address:	Drawing #: 3
		Room Name:	City: Victoria.	State: Victoria.