



**AI** KITCHEN PERSPECTIVE 1  
Scale: NTS



KITCHEN PERSPECTIVE 2 **AI**  
Scale: NTS

DESIGNED BY  
**SHAI ZEEV**  
ABN: 47 640 715 279  
6b Larman St, Bentleigh East 3165  
Mob: 0407004576  
E-mail: sales@thecabinetmerchant.com.au

PROJECT TITLE  
**HOME JOINERIES**

CLIENT ADDRESS

CLIENT NAME

**The Cabinet Merchant**



**AI** BATHROOM VANITY  
Scale: NTS



**AI** ENSUITE VANITY  
Scale: NTS

DESIGNED BY  
**SHAI ZEEV**  
ABN: 47 640 715 279  
6b Larman St, Bentleigh East 3165  
Mob: 0407004576  
E-mail: sales@thecabinetmerchant.com.au

PROJECT TITLE  
**HOME  
JOINERIES**

CLIENT ADDRESS

CLIENT NAME

**The Cabinet  
Merchant**



**AI** LAUNDRY PERSPECTIVE  
Scale: NTS

CLIENT NAME

CLIENT ADDRESS

PROJECT TITLE  
HOME  
JOINERIES

DESIGNED BY  
SHAI ZEEV

ABN: 47 640 715 279  
6b Larman St, Bentleigh East 3165  
Mob: 0407004576  
E-mail: sales@thecabinetmerchant.com.au

**The Cabinet  
Merchant**



**AI** WARDROBE PERSPECTIVE 1  
Scale: NTS



WARDROBE PERSPECTIVE 2 **AI**  
Scale: NTS

DESIGNED BY  
**SHAI ZEEV**  
ABN: 47 640 715 279  
6b Larman St, Bentleigh East 3165  
Mob: 0407004576  
E-mail: sales@thecabinetmerchant.com.au

PROJECT TITLE  
**HOME JOINERIES**

CLIENT ADDRESS

CLIENT NAME

**The Cabinet Merchant**



**AI** DOOR REPLACEMENT  
Scale: NTS



**AI** DOOR REPLACEMENT  
Scale: NTS

DESIGNED BY  
**SHAI ZEEV**  
ABN: 47 640 715 279  
6b Larman St, Bentleigh East 3165  
Mob: 0407004576  
E-mail: sales@thecabinetmerchant.com.au

PROJECT TITLE  
**HOME  
JOINERIES**

CLIENT ADDRESS

CLIENT NAME

**The Cabinet  
Merchant**

DESIGNED BY  
SHAI ZEEV

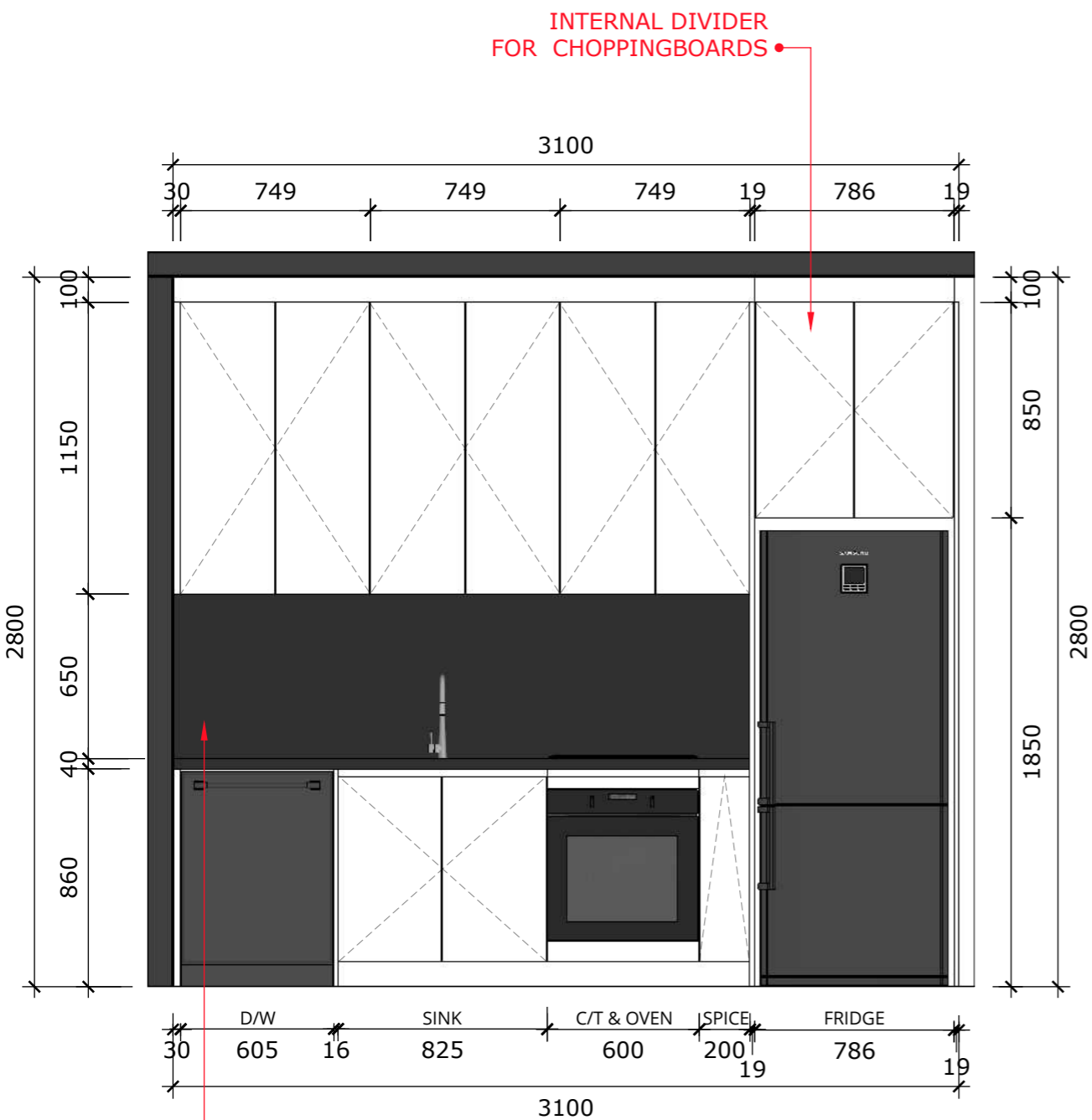
ABN: 47 640 715 279  
6b Larman St, Bentleigh East 3165  
Mob: 0407004576  
E-mail: sales@thecabinetmerchant.com.au

PROJECT TITLE  
HOME  
JOINERIES

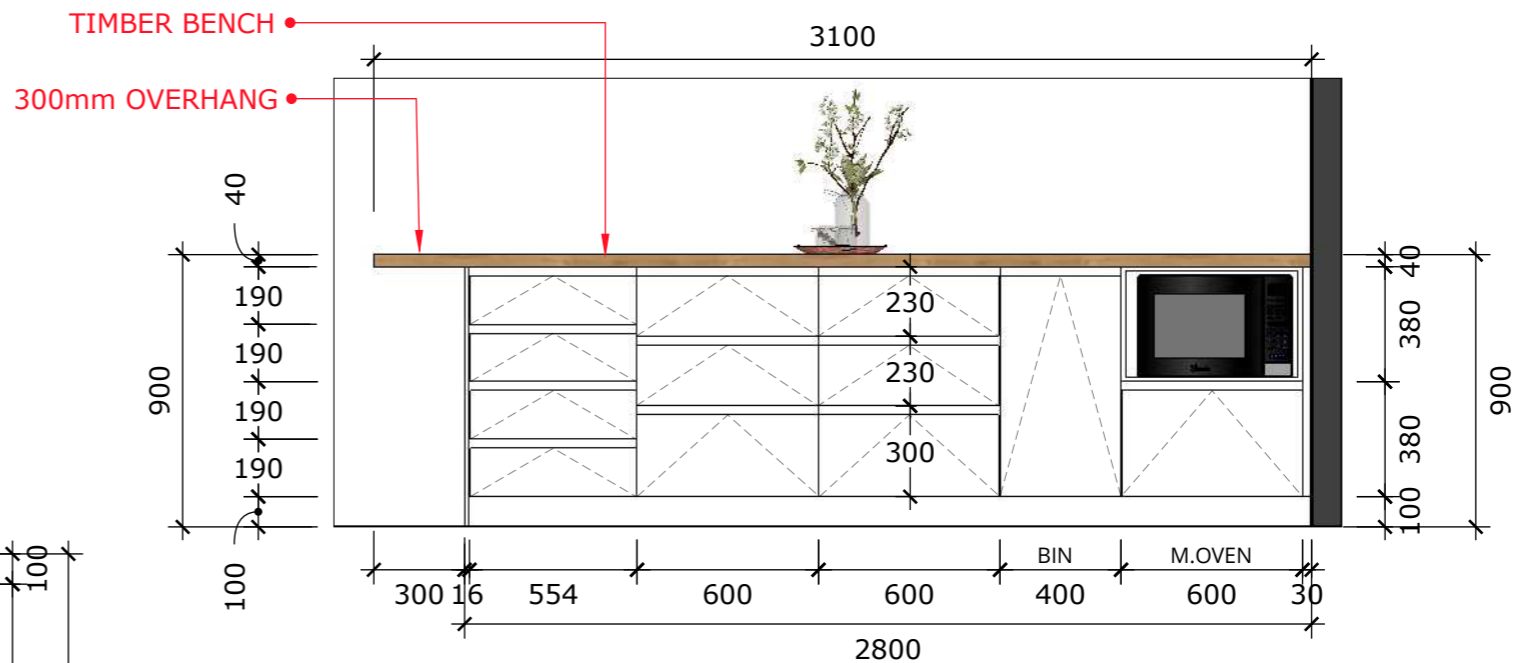
CLIENT ADDRESS

CLIENT NAME

**The Cabinet Merchant**

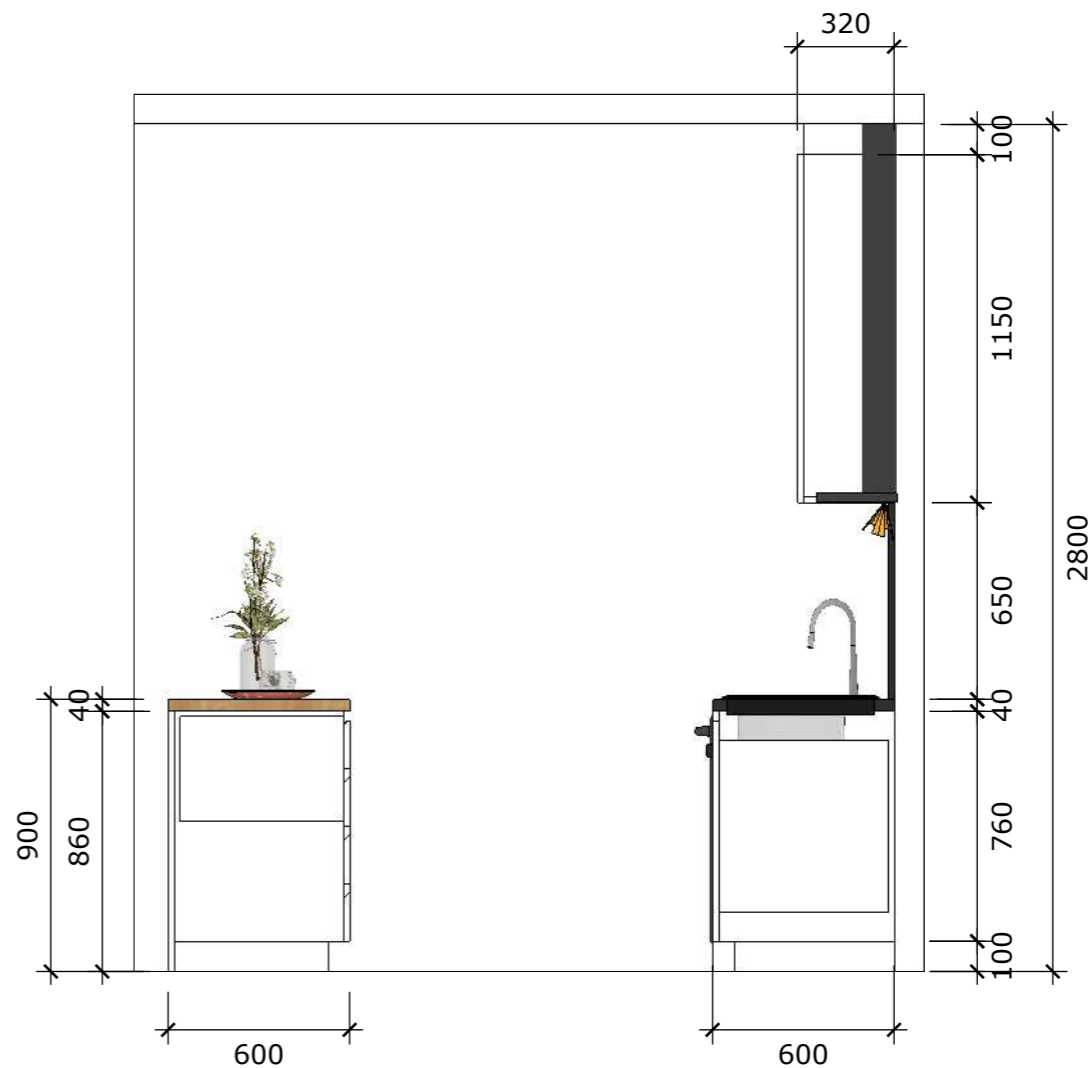


**A** :: KITCHEN ELEV 1  
001 scale: 1=25mm

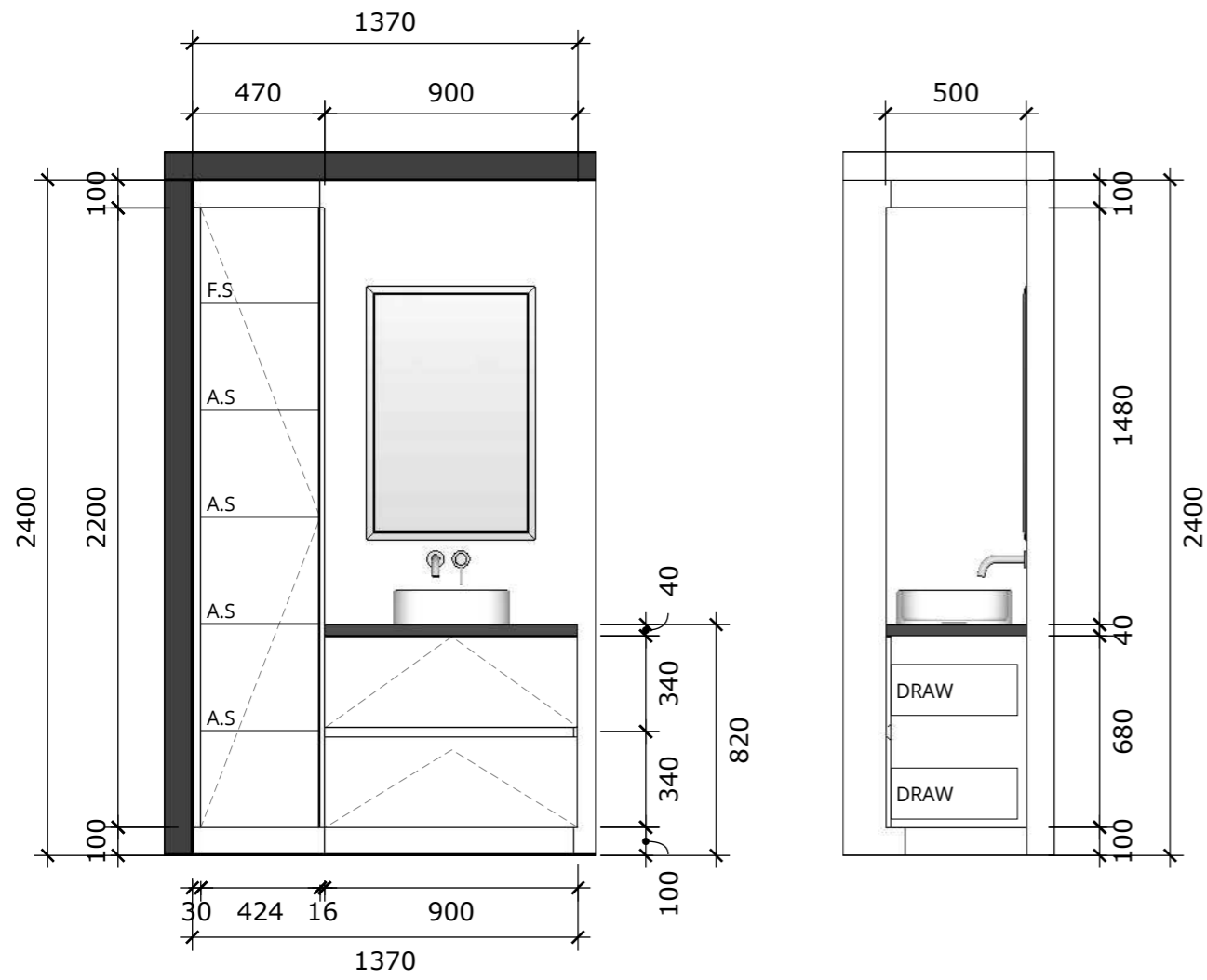


**A** :: KITCHEN ELEV 2  
001 scale: 1=25mm

BLACKMATT B/T & S/B

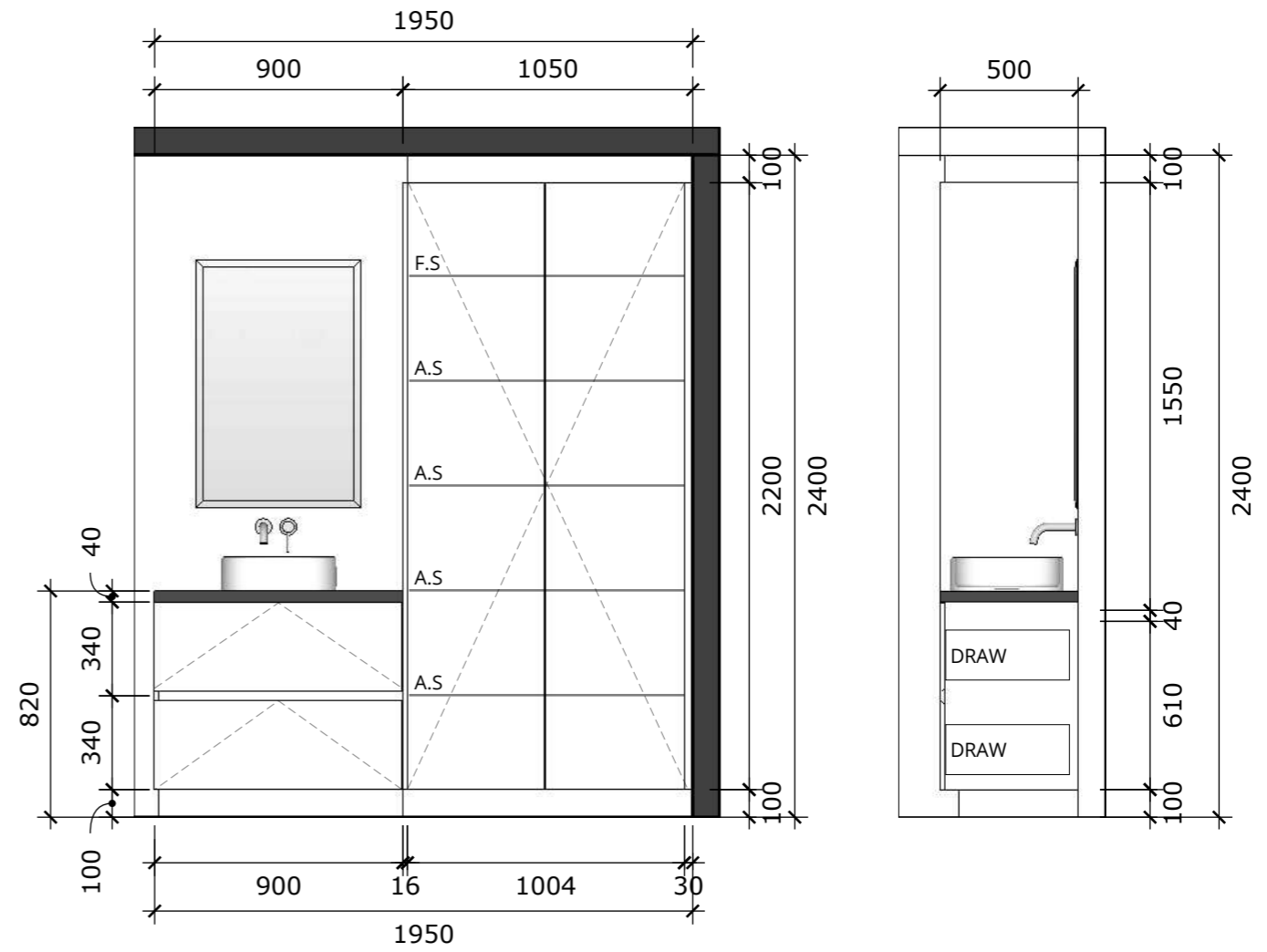


**A** :: KITCHEN ELEV 1  
001 scale: 1=25mm



**A** :: BATHROOM VANITY ELEV.  
001 scale: 1=25mm

**A** :: BATHROOM VANITY SECTION  
002 scale: 1=25mm



**A** :: ENSUITE VANITY ELEV.  
003 scale: 1=25mm

**A** :: ENSUITE VANITY SECTION  
004 scale: 1=25mm

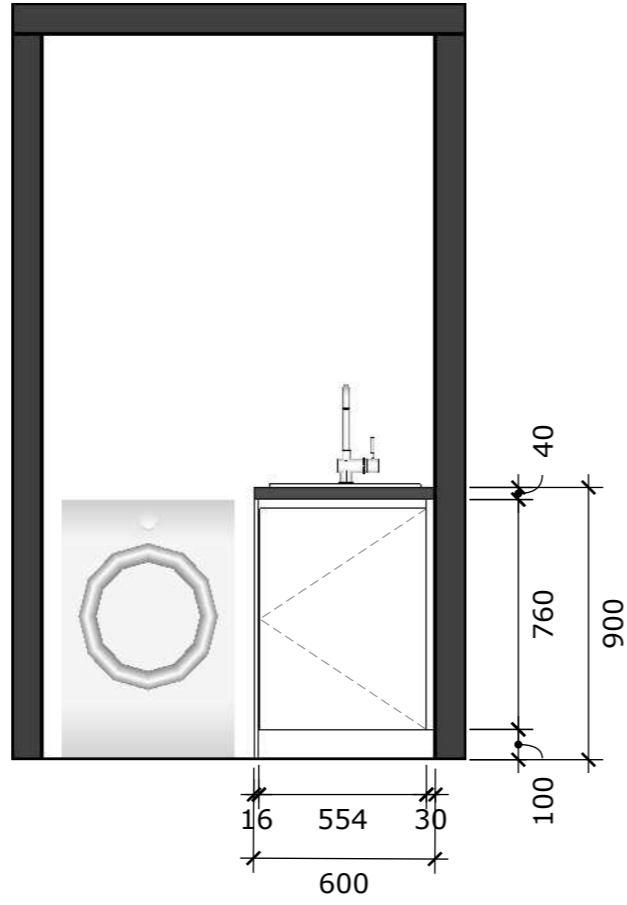
DESIGNED BY  
**SHAI ZEEV**  
ABN: 47 640 715 279  
6b Larman St, Bentleigh East 3165  
Mob: 0407004576  
E-mail: sales@thecabinetmerchant.com.au

PROJECT TITLE  
**HOME JOINERIES**

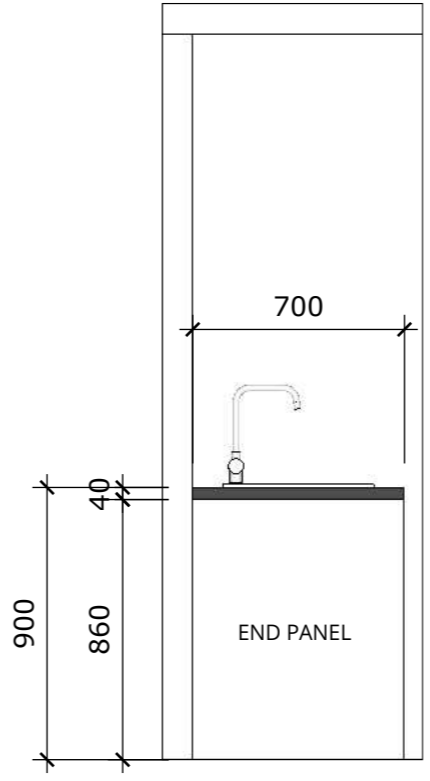
CLIENT ADDRESS

CLIENT NAME

**The Cabinet Merchant**



**A** :: BATHROOM VANITY ELEV.  
 001 scale: 1=25mm



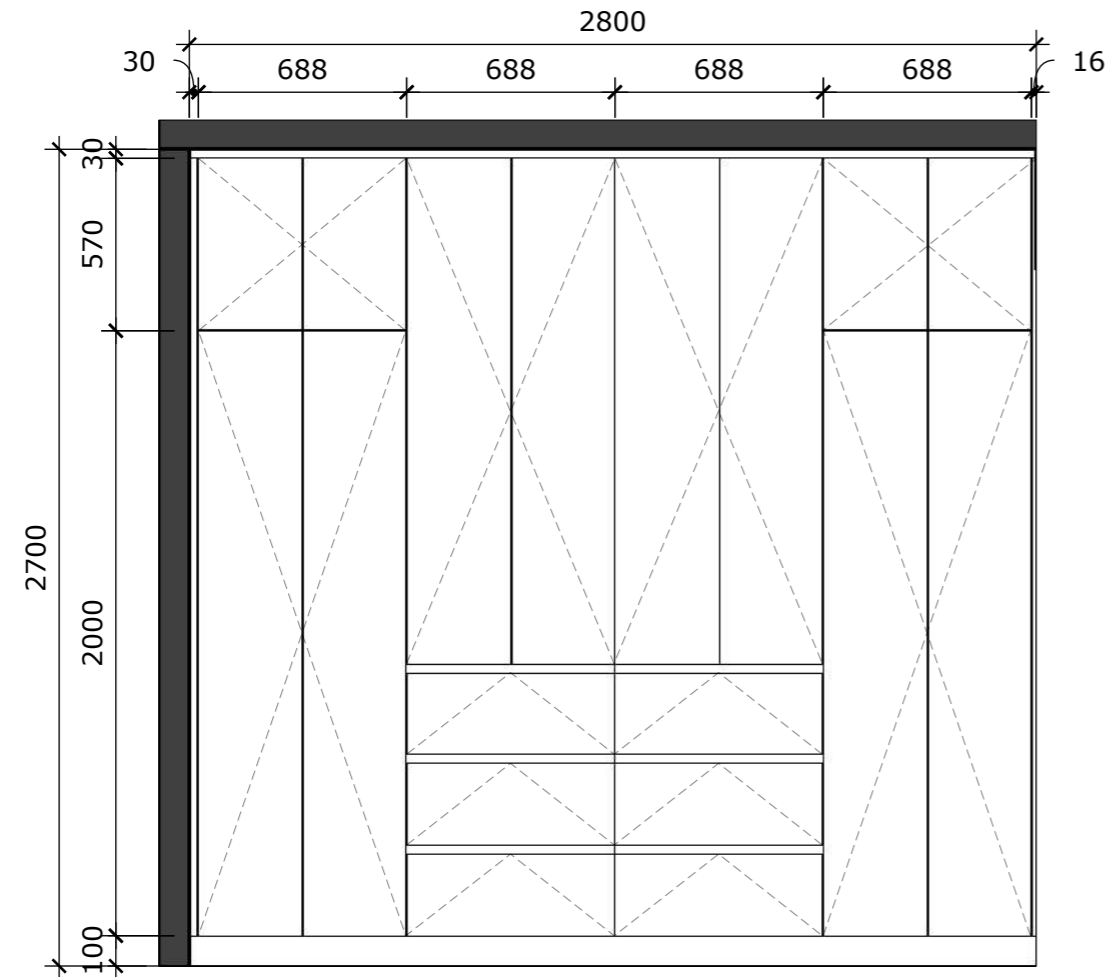
**A** :: BATHROOM VANITY SECTION  
 002 scale: 1=25mm

DESIGNED BY  
**SHAI ZEEV**  
 ABN: 47 640 715 279  
 6b Larman St, Bentleigh East 3165  
 Mob: 0407004576  
 E-mail: sales@thecabinetmerchant.com.au

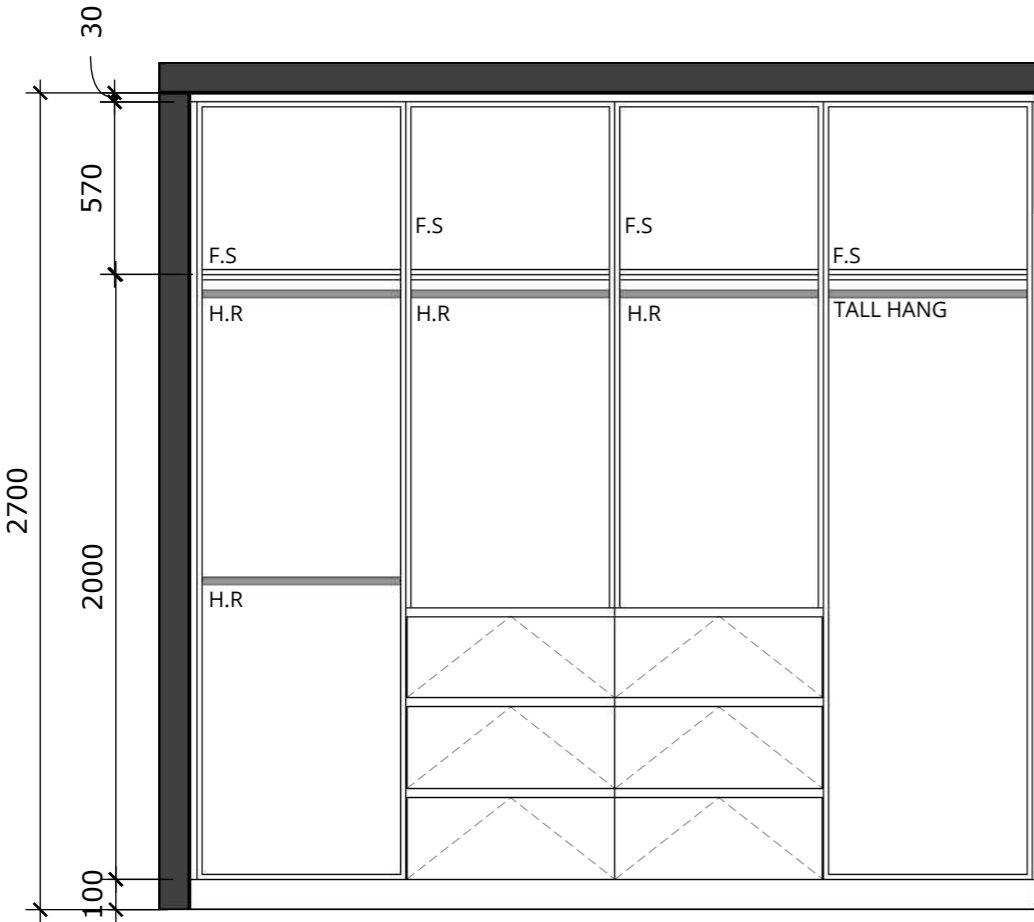
PROJECT TITLE  
**HOME JOINERIES**

CLIENT ADDRESS

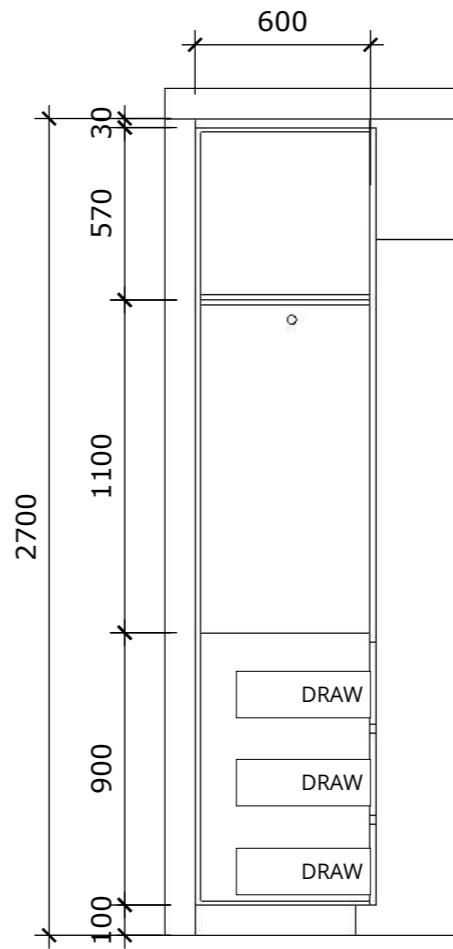
CLIENT NAME



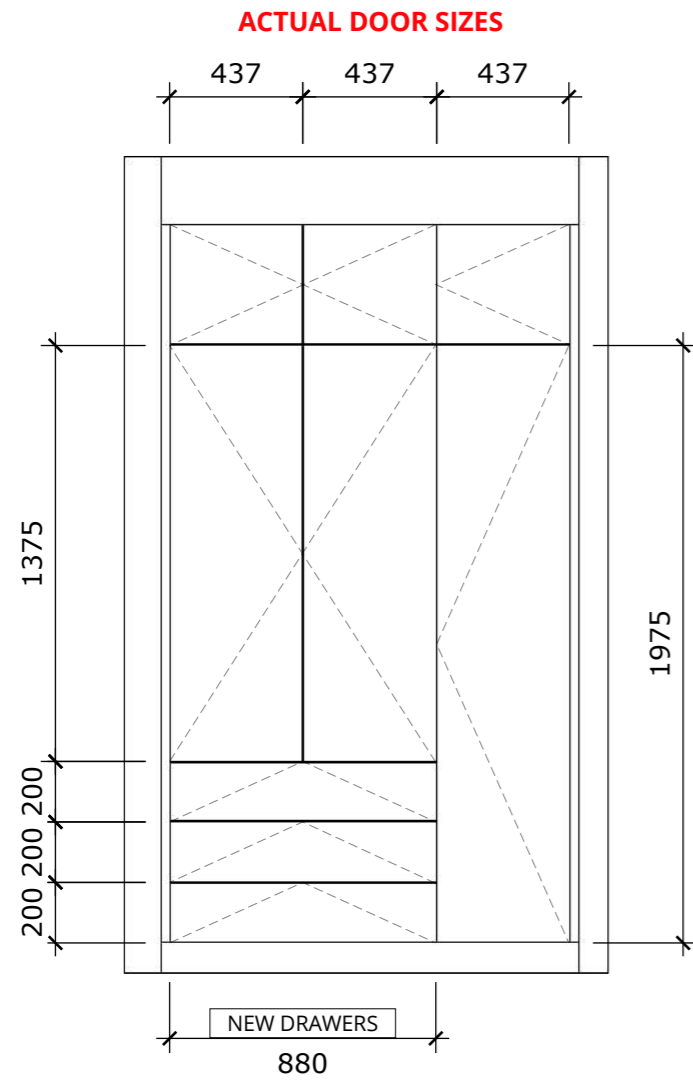
**A** :: **WARDROBE EXTERNAL**  
 001 scale: 1=25mm



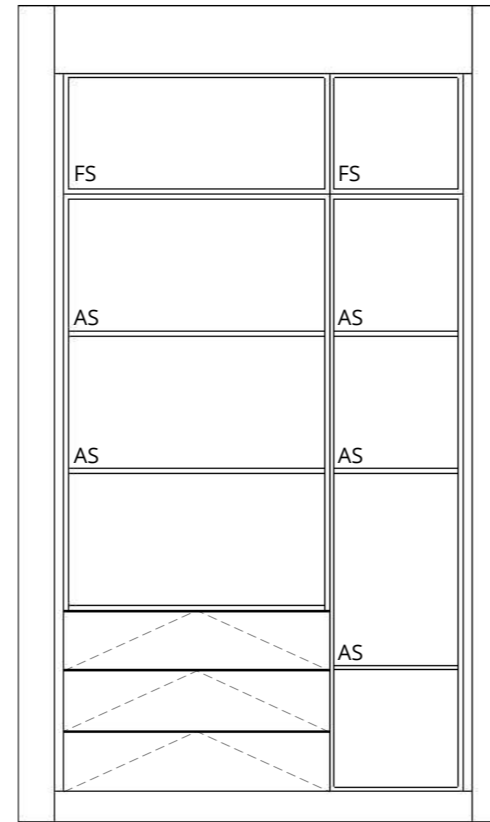
**A** :: **WARDROBE INTERNAL**  
 002 scale: 1=25mm



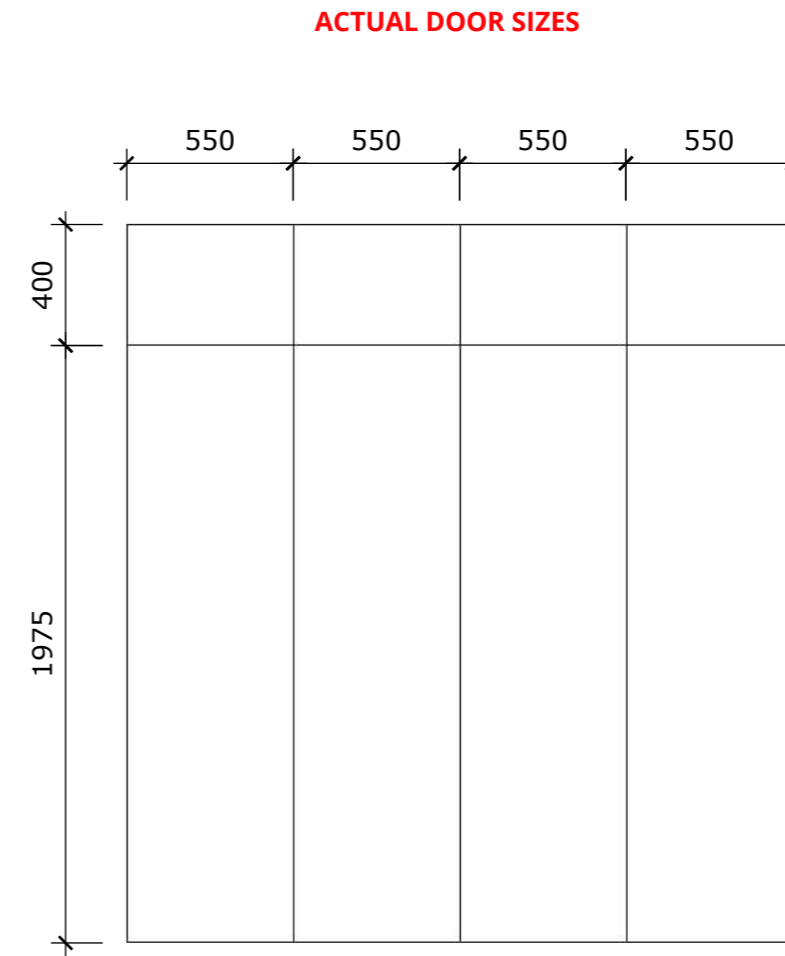
**A** :: **WARDROBE SECTION**  
 003 scale: 1=25mm



**A** :: PANTRY EXTERNAL  
001 scale: 1=25mm



**A** :: PANTRY INTERNAL  
002 scale: 1=25mm



**A** :: DOOR REPLACEMENT  
002 scale: 1=25mm

DESIGNED BY  
**SHAI ZEEV**  
ABN: 47 640 715 279  
6b Larman St, Bentleigh East 3165  
Mob: 0407004576  
E-mail: sales@thecabinetmerchant.com.au

PROJECT TITLE  
**HOME JOINERIES**

CLIENT ADDRESS

CLIENT NAME