

# KITCHEN ISLAND OPTION 2

1

a



**AI** KITCHEN / OFFICE DESK  
Scale: NTS



KITCHEN / OFFICE DESK **AI**  
Scale: NTS

DESIGNED BY  
SHAI ZEEV  
ABN: 47 640 715 279  
6b Larman St, Bentleigh East 3165  
Mob: 0407004576  
E-mail: sales@thecabinetmerchant.com.au

PROJECT TITLE  
HOME  
JOINERIES

CLIENT ADDRESS

CLIENT NAME  
NORMAN

**The Cabinet  
Merchant**

# KITCHEN ISLAND OPTION 2



handles t-handles brass

**AI** KITCHEN / OFFICE DESK  
Scale: NTS

window detail  
retrun stone to window bot  
and side to splash back high  
no arcetrave window reveal  
ask norm for details of woindows  
2 windows



KITCHEN / OFFICE DESK **AI**  
Scale: NTS

DESIGNED BY  
SHAI ZEEV  
ABN: 47 640 715 279  
6b Larman St, Bentleigh East 3165  
Mob: 0407004576  
E-mail: sales@thecabinetmerchant.com.au

PROJECT TITLE  
HOME  
JOINERIES

CLIENT ADDRESS

CLIENT NAME  
NORMAN

**The Cabinet  
Merchant**

# KITCHEN ISLAND OPTION 2



**AI** KITCHEN / OFFICE DESK  
Scale: NTS



KITCHEN **AI**  
Scale: NTS

DESIGNED BY  
**SHAI ZEEV**  
ABN: 47 640 715 279  
6b Larman St, Bentleigh East 3165  
Mob: 0407004576  
E-mail: sales@thecabinetmerchant.com.au

PROJECT TITLE  
**HOME JOINERIES**

CLIENT ADDRESS

CLIENT NAME  
**NORMAN**

**The Cabinet Merchant**



**AI** PANTRY  
Scale: NTS



**AI** PANTRY  
Scale: NTS

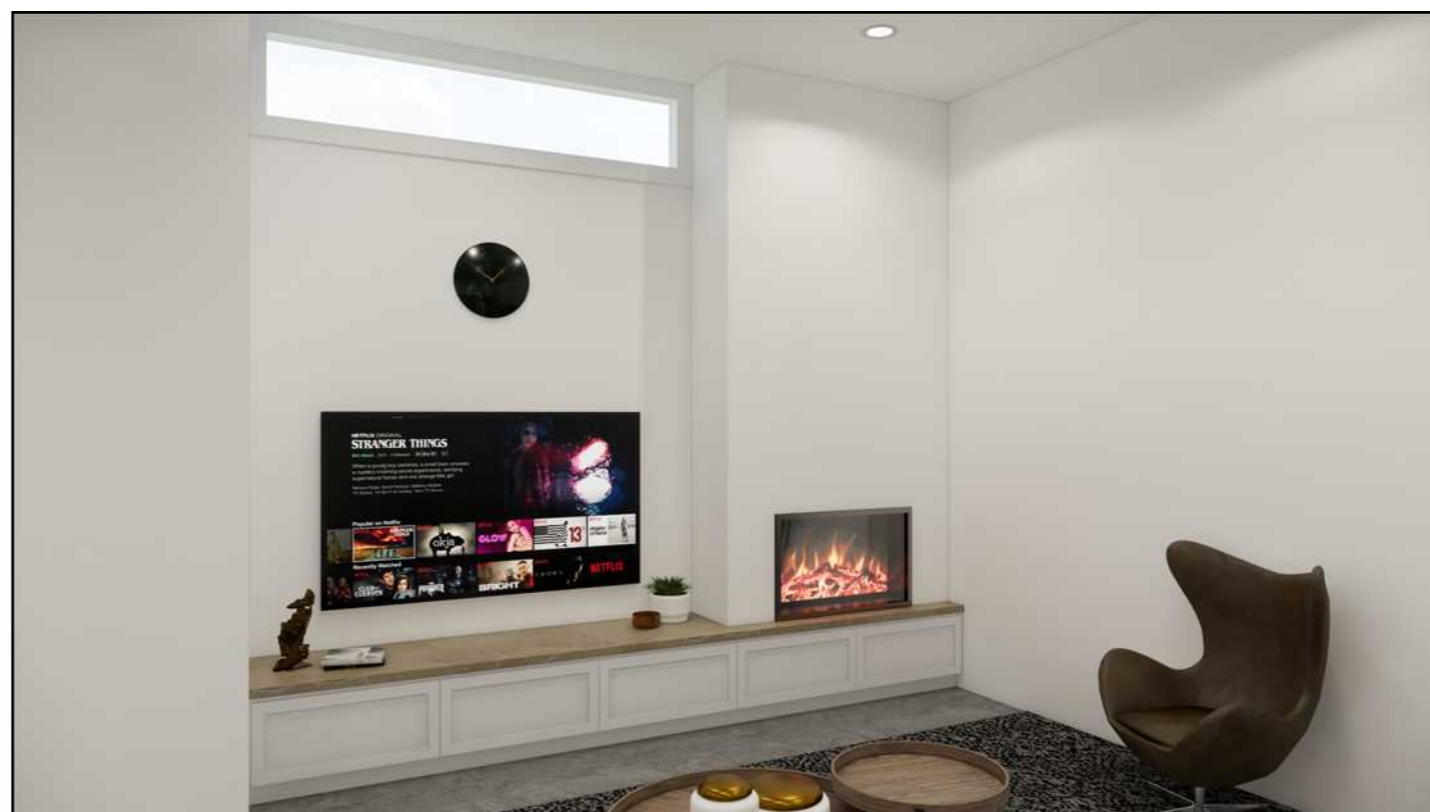
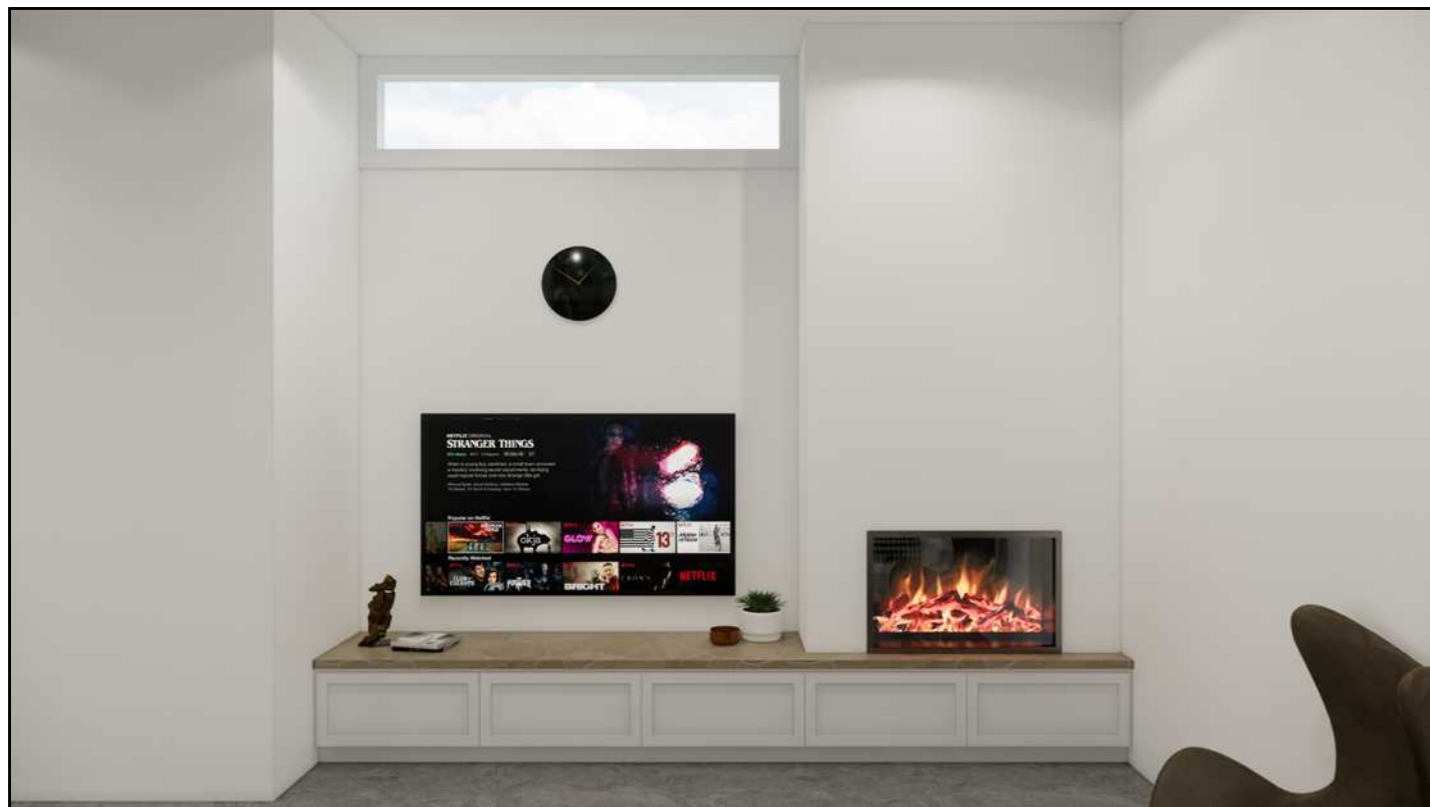
DESIGNED BY  
SHAI ZEEV  
ABN: 47 640 715 279  
6b Larman St, Bentleigh East 3165  
Mob: 0407004576  
E-mail: sales@thecabinetmerchant.com.au

PROJECT TITLE  
HOME  
JOINERIES

CLIENT ADDRESS

CLIENT NAME  
NORMAN

**The Cabinet  
Merchant**



AI TV UNIT  
Scale: NTS

TV UNIT AI  
Scale: NTS

DESIGNED BY  
SHAI ZEEV  
ABN: 47 640 715 279  
6b Larman St, Bentleigh East 3165  
Mob: 0407004576  
E-mail: sales@thecabinetmerchant.com.au

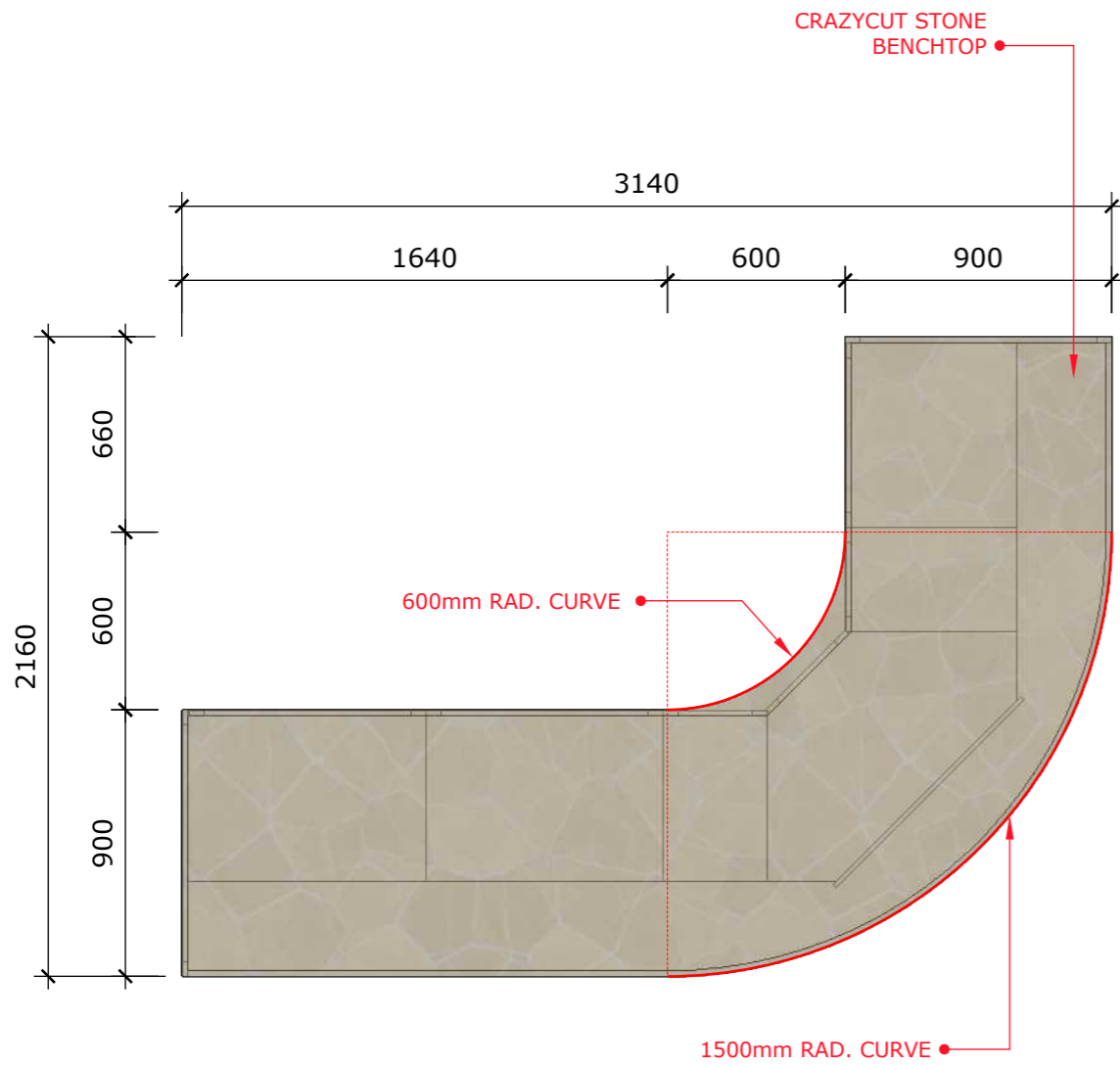
PROJECT TITLE  
HOME  
JOINERIES

CLIENT ADDRESS

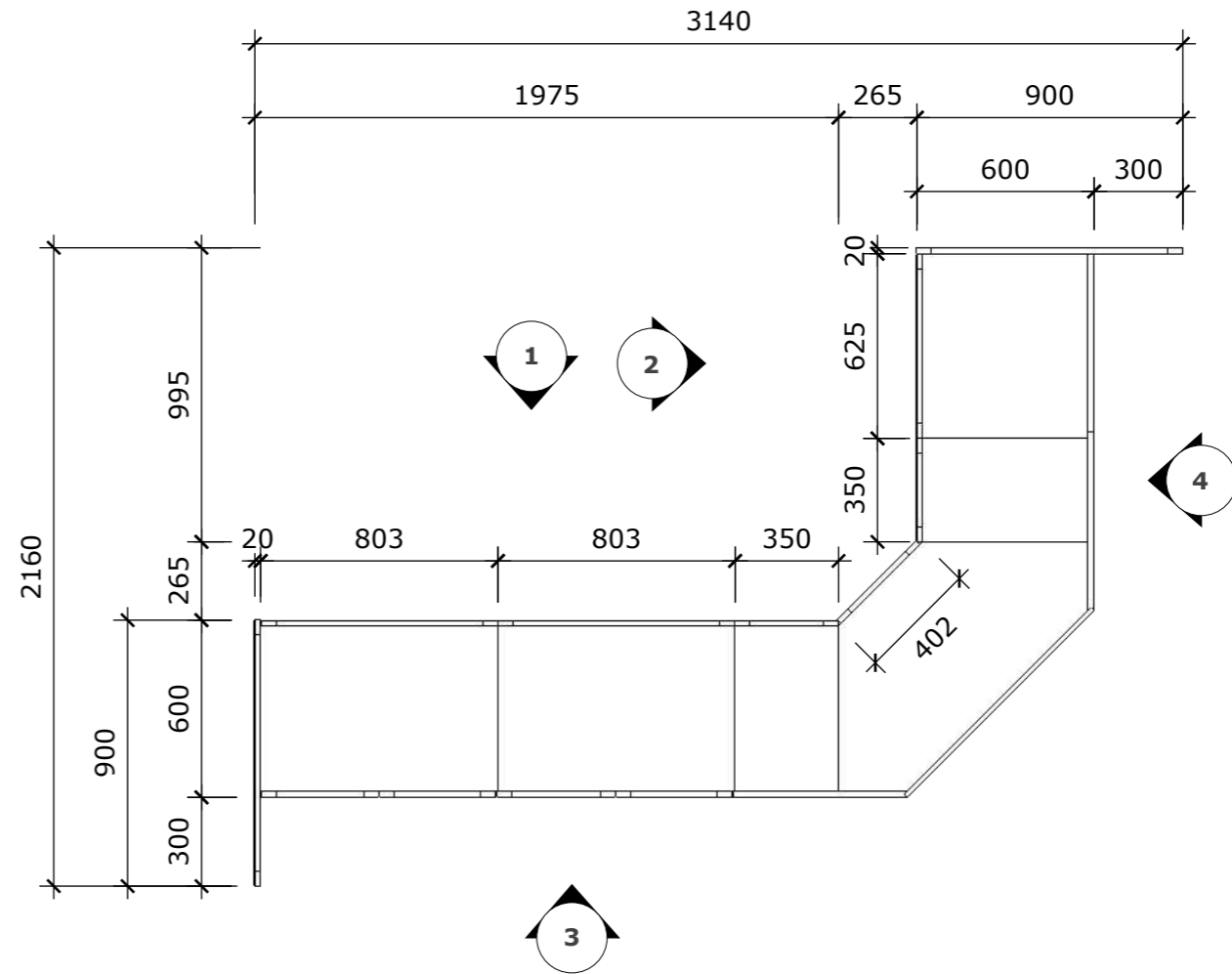
CLIENT NAME  
NORMAN

The Cabinet  
Merchant

# KITCHEN ISLAND OPTION 2



**A** :: ISLAND TOP VIEW  
001 scale: 1=25mm



**A** :: ISLAND TOP SECTION  
002 scale: 1=25mm

DESIGNED BY  
SHAI ZEEV  
ABN: 47 640 715 279  
6b Larman St, Bentleigh East 3165  
Mob: 0407004576  
E-mail: sales@thecabinetmerchant.com.au

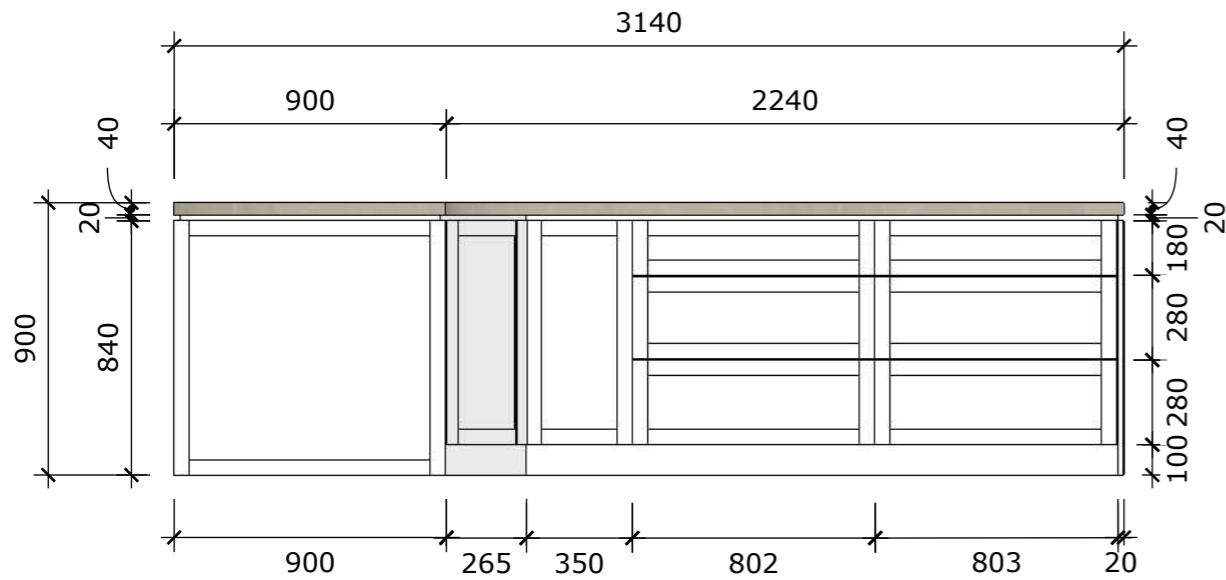
PROJECT TITLE  
HOME  
JOINERIES

CLIENT ADDRESS

CLIENT NAME  
NORMAN

**The Cabinet Merchant**

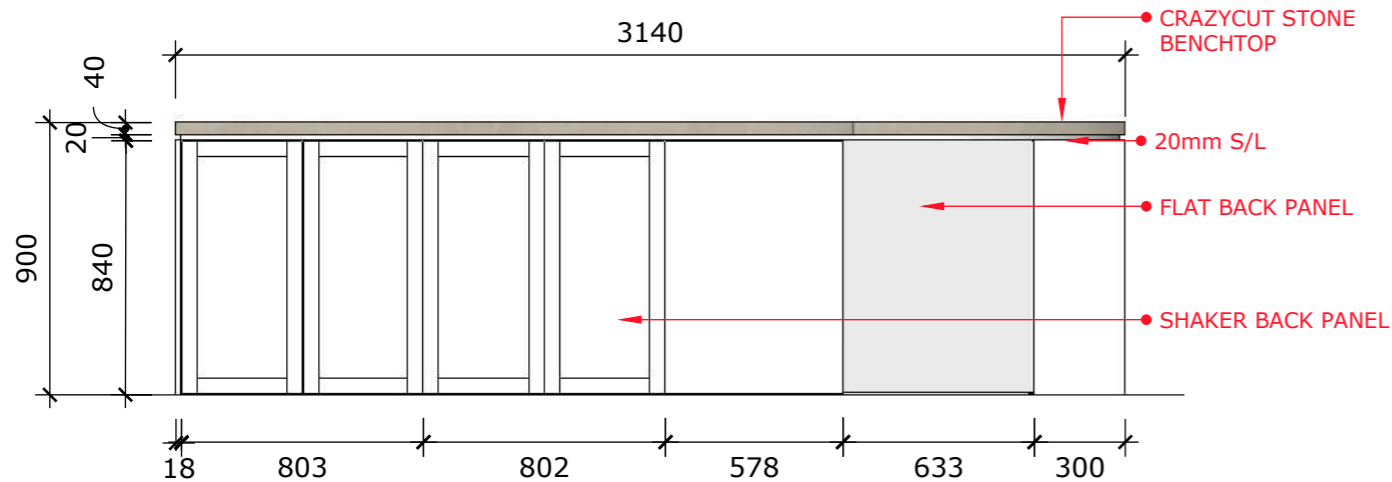
# KITCHEN ISLAND OPTION 2



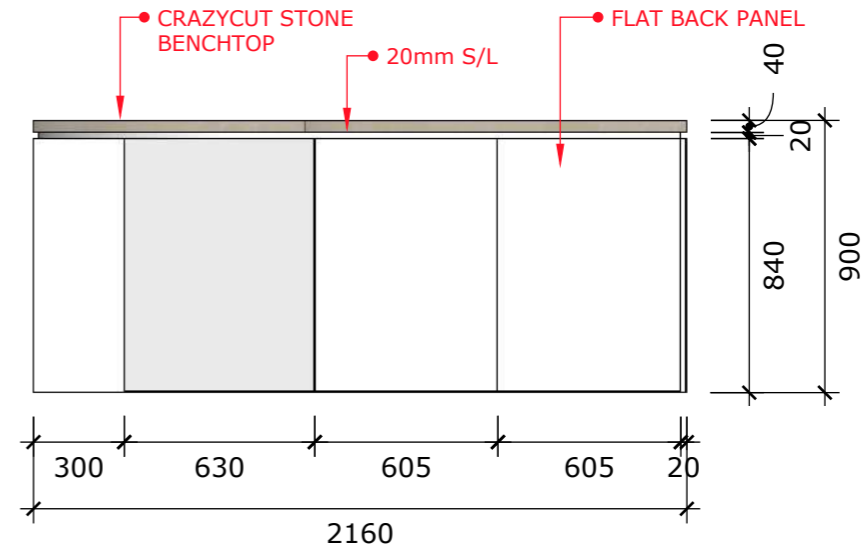
**A** :: ISLAND ELEVATION 1  
001 scale: 1=25mm



**A** :: ISLAND ELEVATION 2  
002 scale: 1=25mm



**A** :: ISLAND ELEVATION 3  
003 scale: 1=25mm



**A** :: ISLAND ELEVATION 4  
004 scale: 1=25mm

DESIGNED BY  
**SHAI ZEEV**  
ABN: 47 640 715 279  
6b Larman St, Bentleigh East 3165  
Mob: 0407004576  
E-mail: sales@thecabinetmerchant.com.au

PROJECT TITLE  
**HOME JOINERIES**

CLIENT ADDRESS

CLIENT NAME  
**NORMAN**

**The Cabinet Merchant**