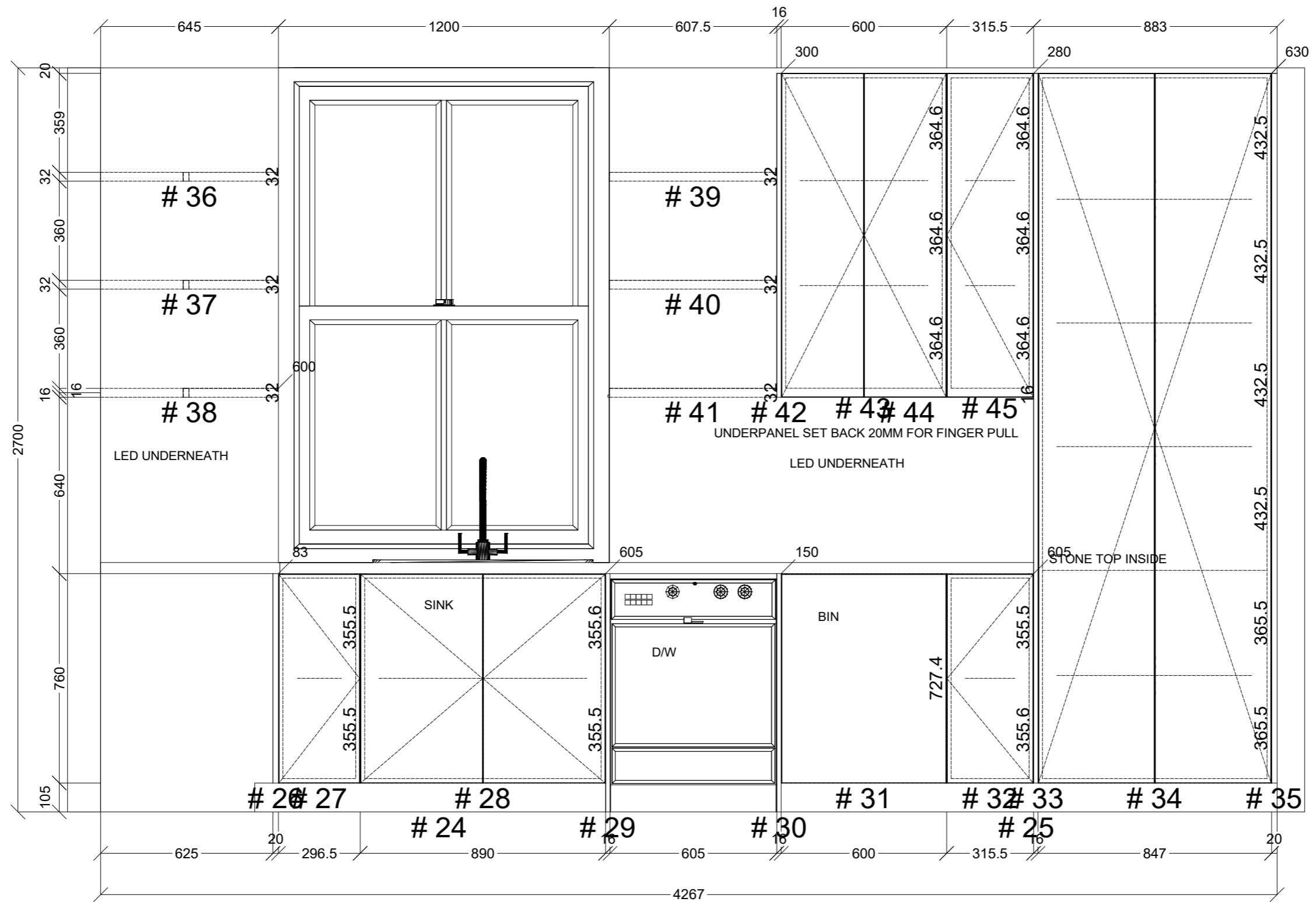
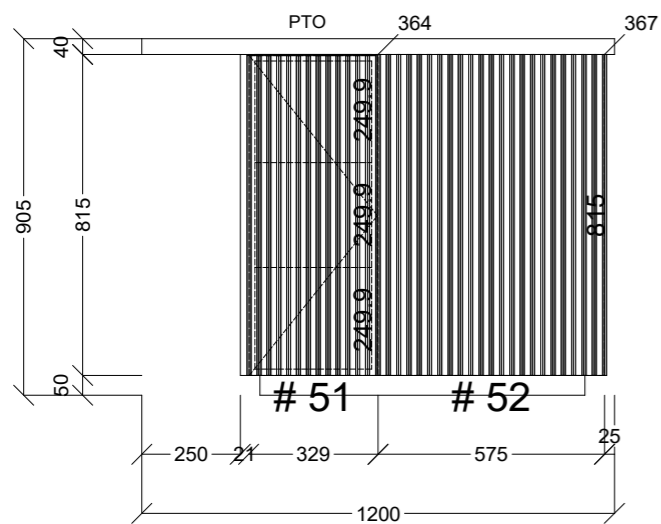
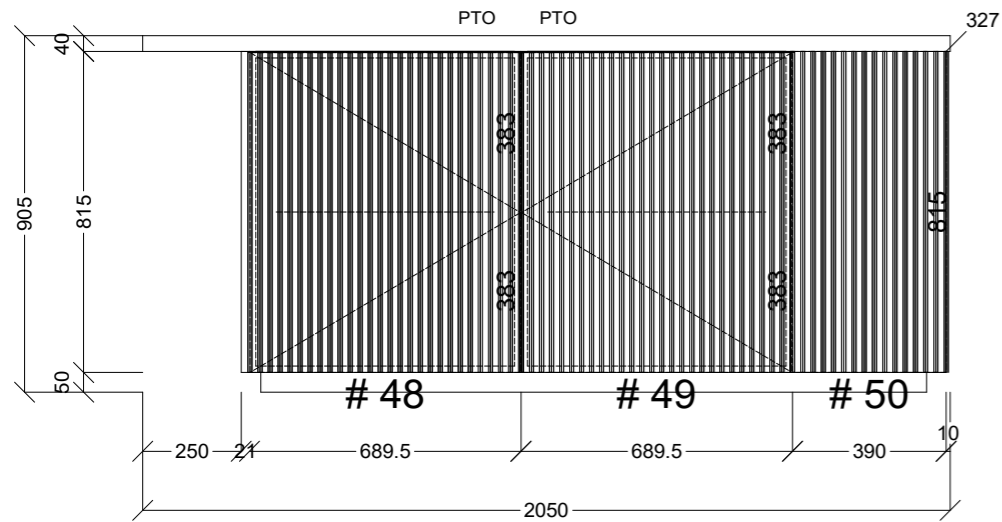
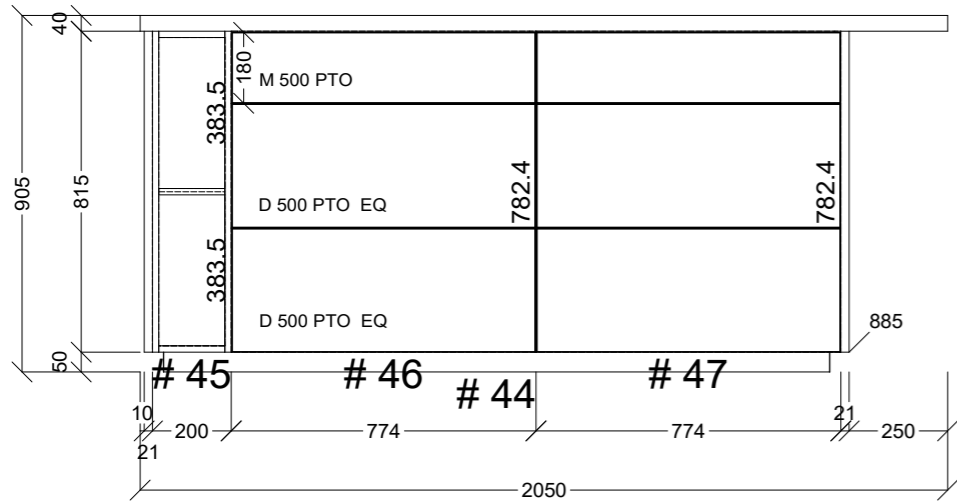



	Client: FARMSIDE CONSTRUCTION		Door and panels style/colour: BLOSSOM WHITE MATT		Sheet 2 of 13
	Room: KITCHEN	Benchtop Colour: 40MM STONE		Drawer slides: BLUM ANTARO	Carcass: WHITE HMR
	Date: 06/06/24	Address: 203 MELVILLE RD BRUNSWICK WEST	Handles Item No: TBA		Approved by:




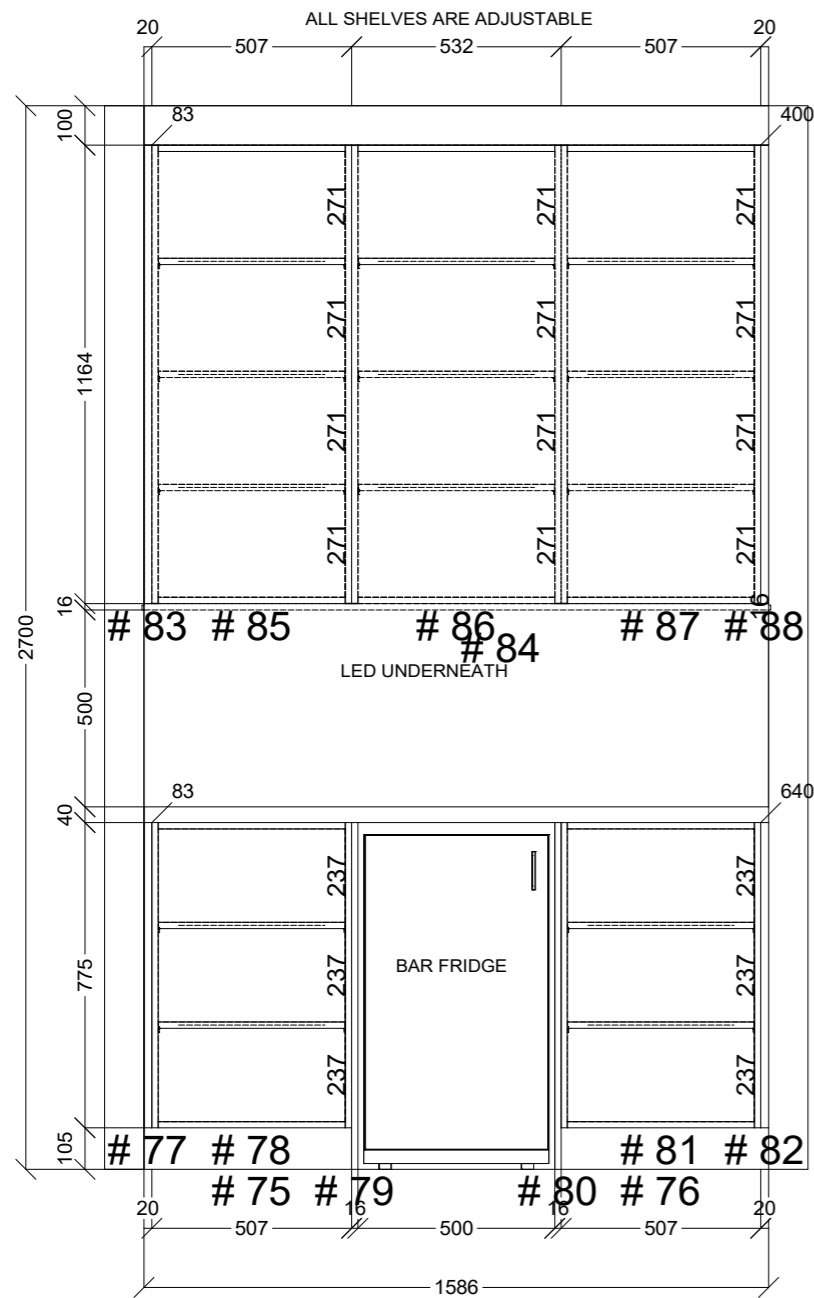
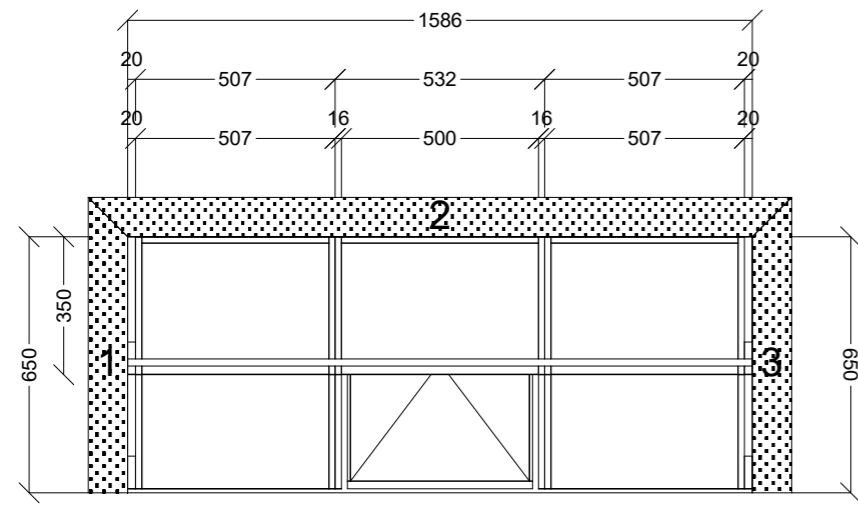
	Client: FARMSIDE CONSTRUCTION		Door and panels style/colour: BLOSSOM WHITE MATT		Sheet 3 of 13
	Room: KITCHEN	Benchtop Colour: 40MM STONE		Drawer slides: BLUM ANTARO	Carcass: WHITE HMR
	Date: 06/06/24	Address: 203 MELVILLE RD BRUNSWICK WEST	Handles Item No: TBA	Approved by:	




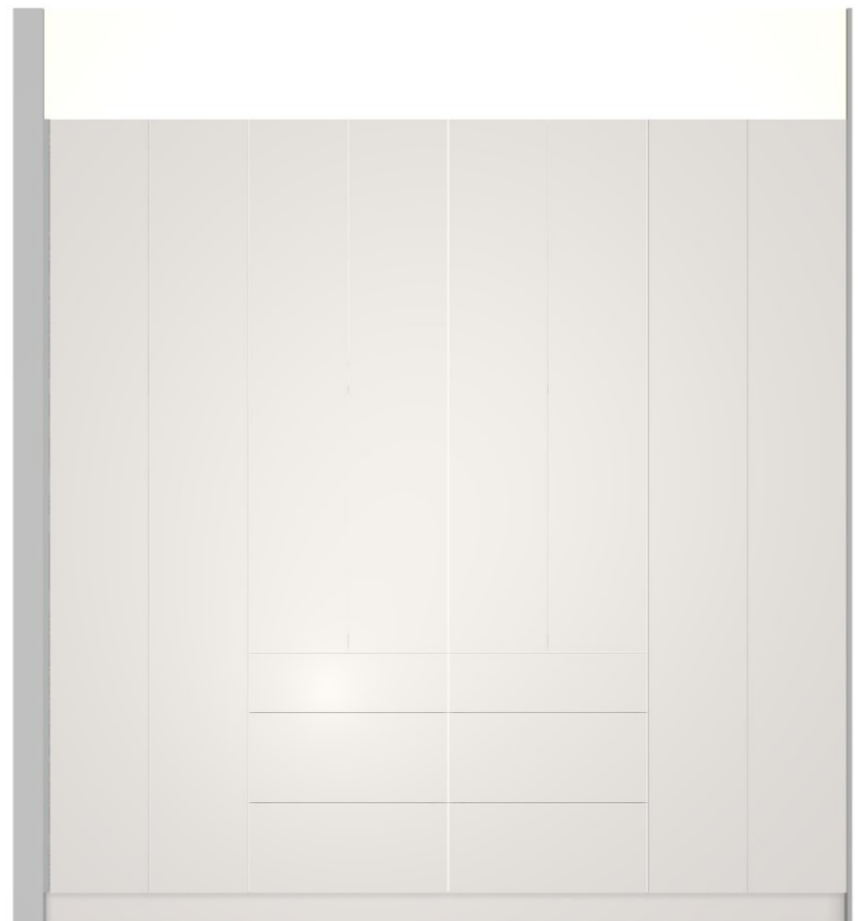
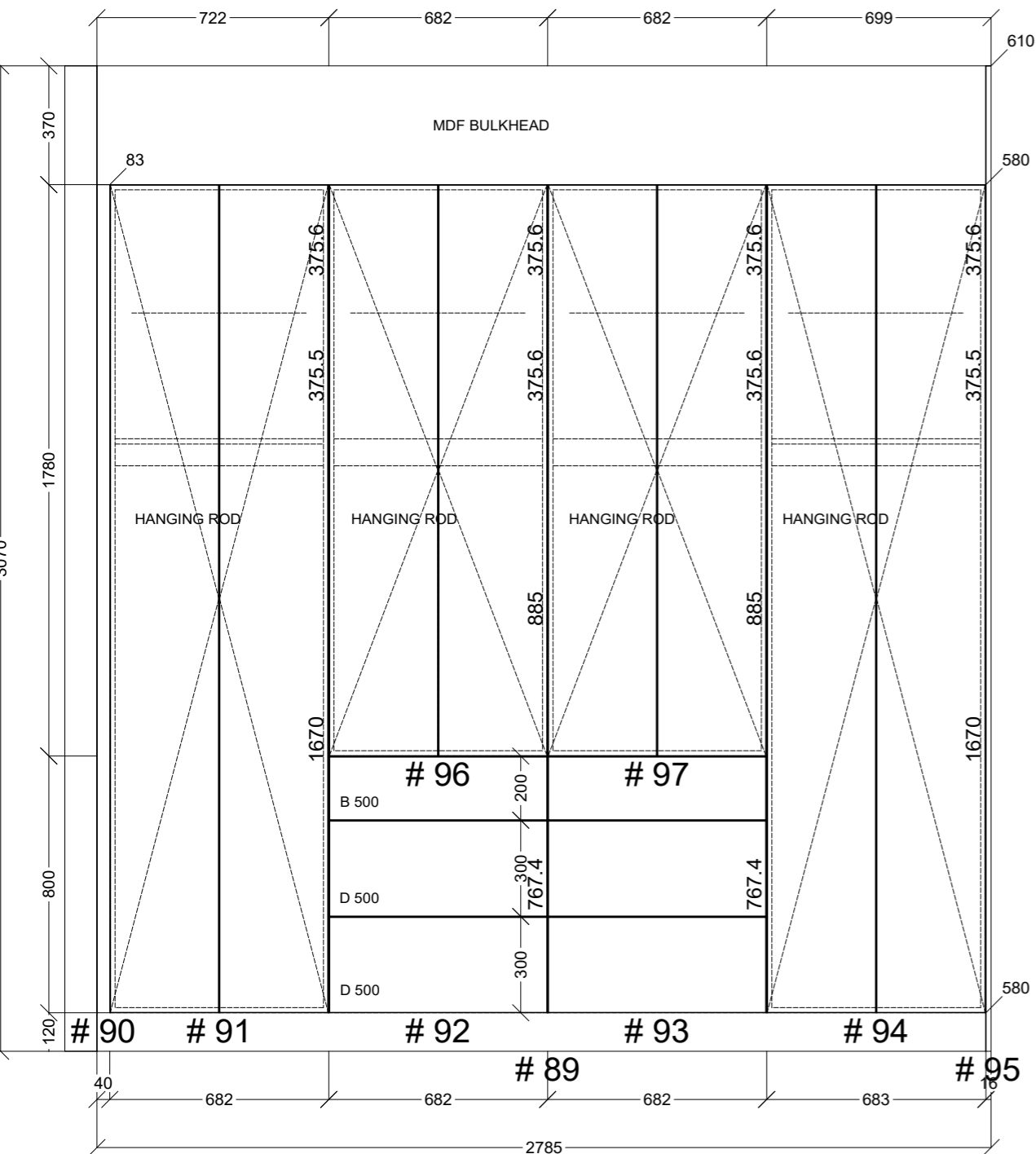
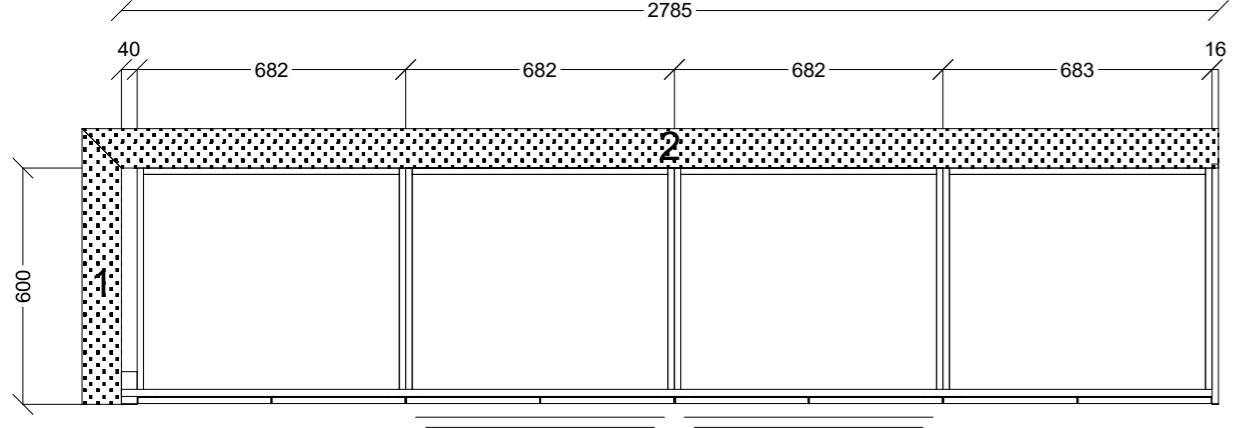
 CONNECT KITCHENS	Client: FARSSIDE CONSTRUCTION		Door and panels style/colour: BLOSSOM WHITE MATT/ COVE 25 VINYL WRAP BLOSSOM WHITE MATT		Sheet 4 of 13
	Room: KITCHEN	Benchtop Colour: 40MM STONE	Drawer slides: BLUM ANTARO		Carcass: WHITE HMR
	Date: 06/06/24	Address: 203 MELVILLE RD BRUNSWICK WEST	Handles Item No: TBA		Approved by:




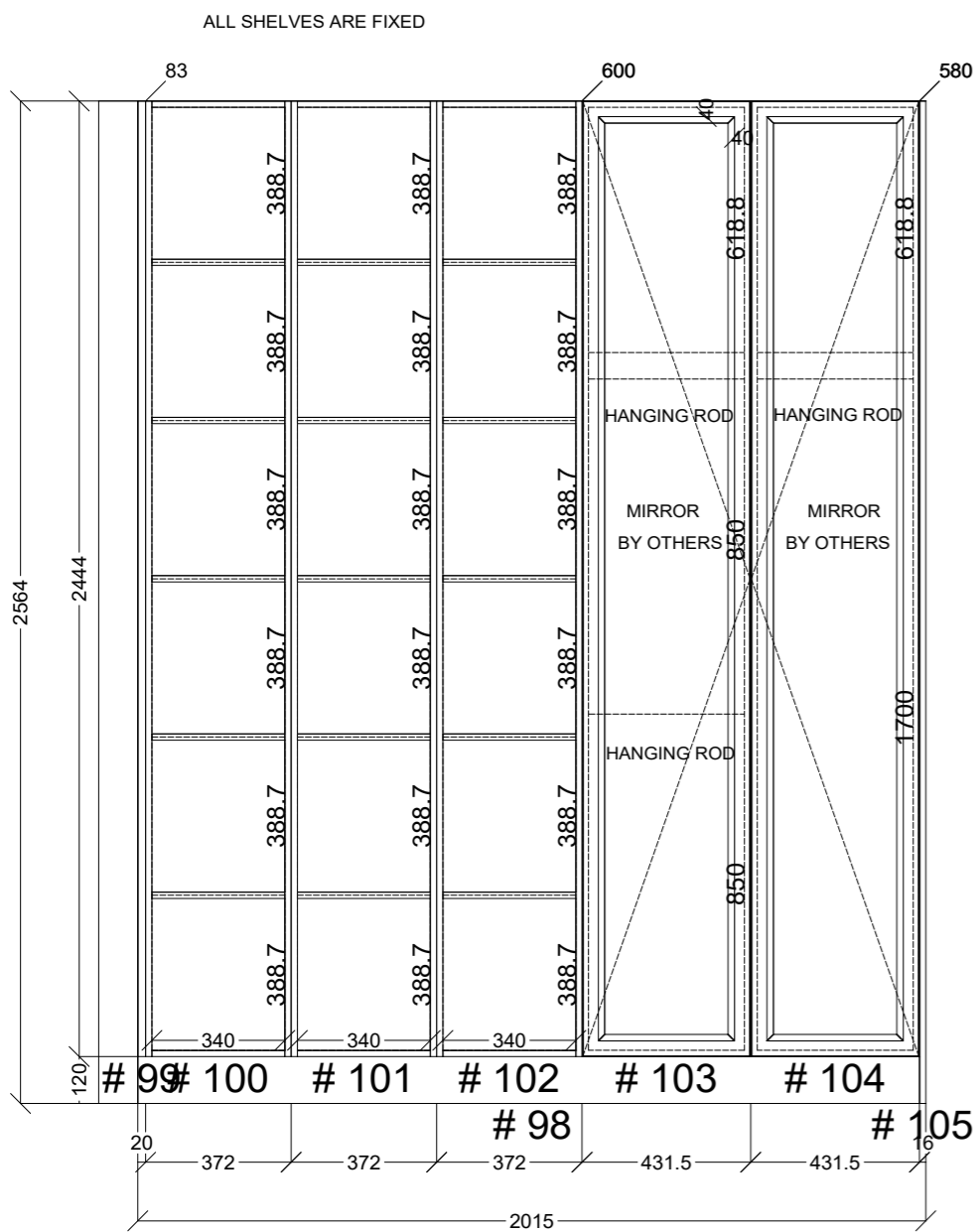
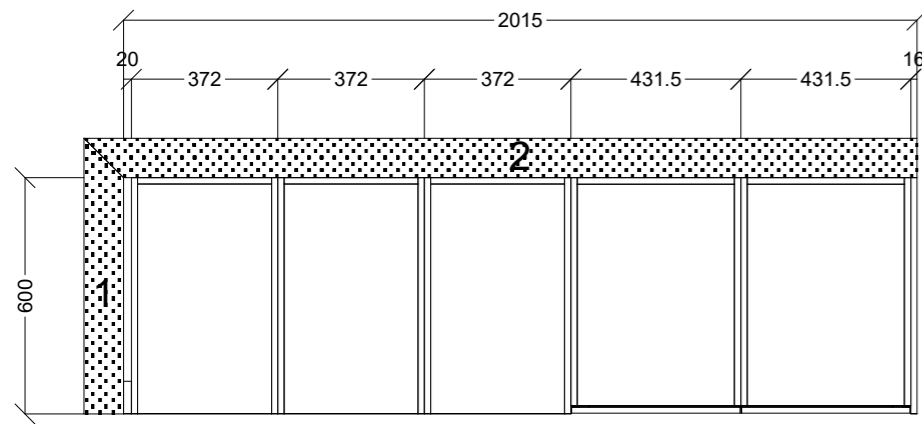
 CONNECT KITCHENS	Client: FARSID CONSTRUCTION		Door and panels style/colour: BLOSSOM WHITE MATT/ COVE 25 VINYL WRAP BLOSSOM WHITE MATT		Sheet 5 of 13
	Room: KITCHEN	Benchtop Colour: 40MM STONE	Drawer slides: BLUM ANTARO		Carcass: WHITE HMR
	Date: 06/06/24	Address: 203 MELVILLE RD BRUNSWICK WEST	Handles Item No: TBA		Approved by:




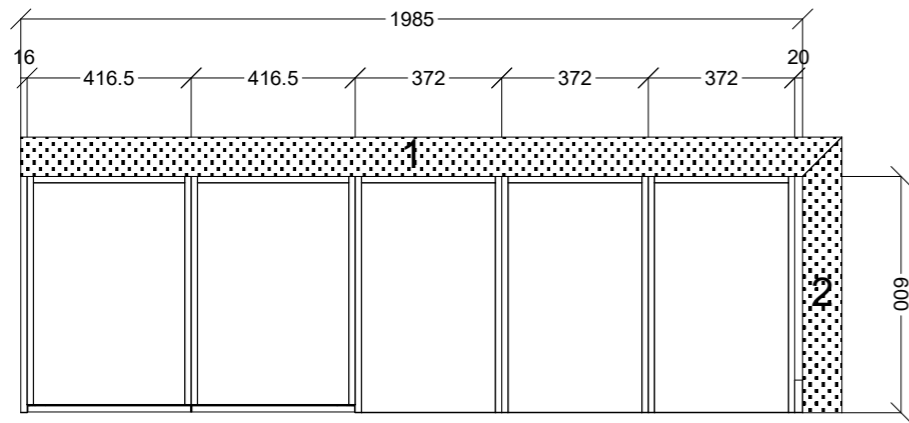
 CONNECT KITCHENS	Client: FARSIDE CONSTRUCTION		Door and panels style/colour: BLOSSOM WHITE MATT		Sheet 7 of 13
	Room: PANTRY	Benchtop Colour: 40MM STONE	Drawer slides: N/A		Carcass: BLOSSOM WHITE MATT
	Date: 06/06/24	Address: 203 MELVILLE RD BRUNSWICK WEST	Handles Item No: N/A		Approved by:



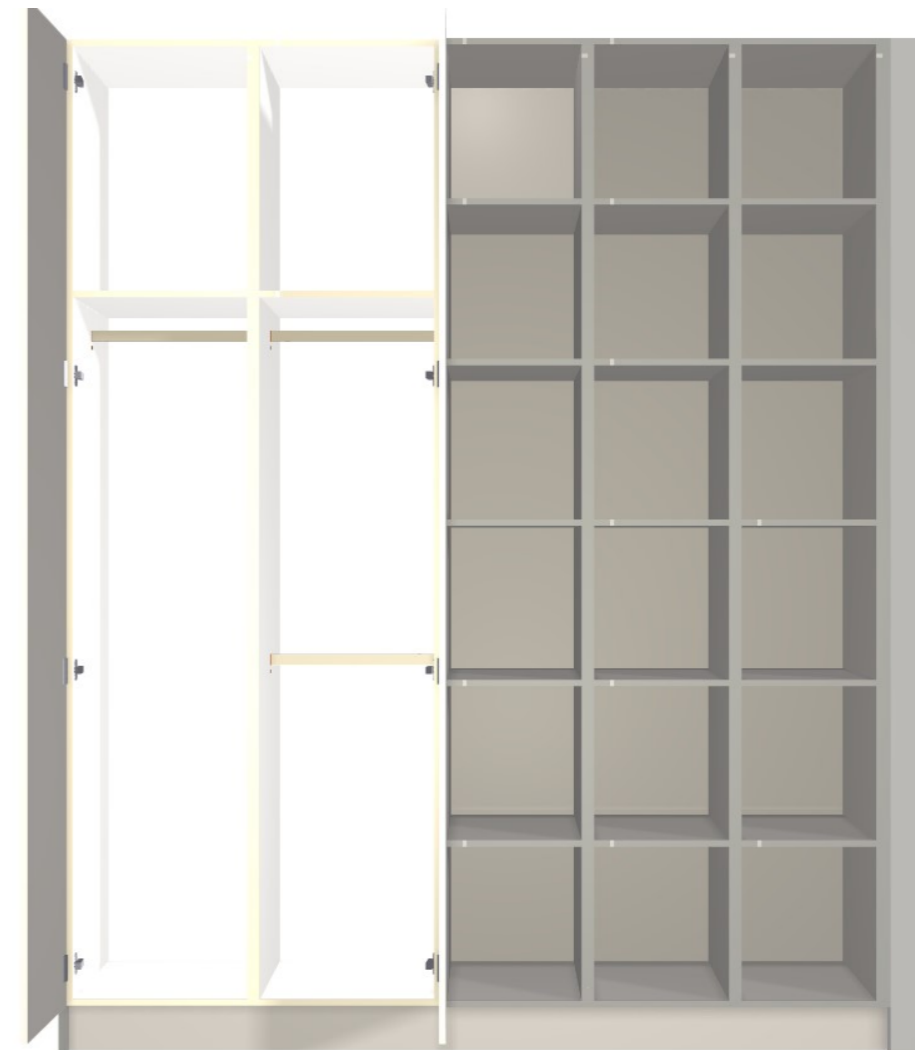
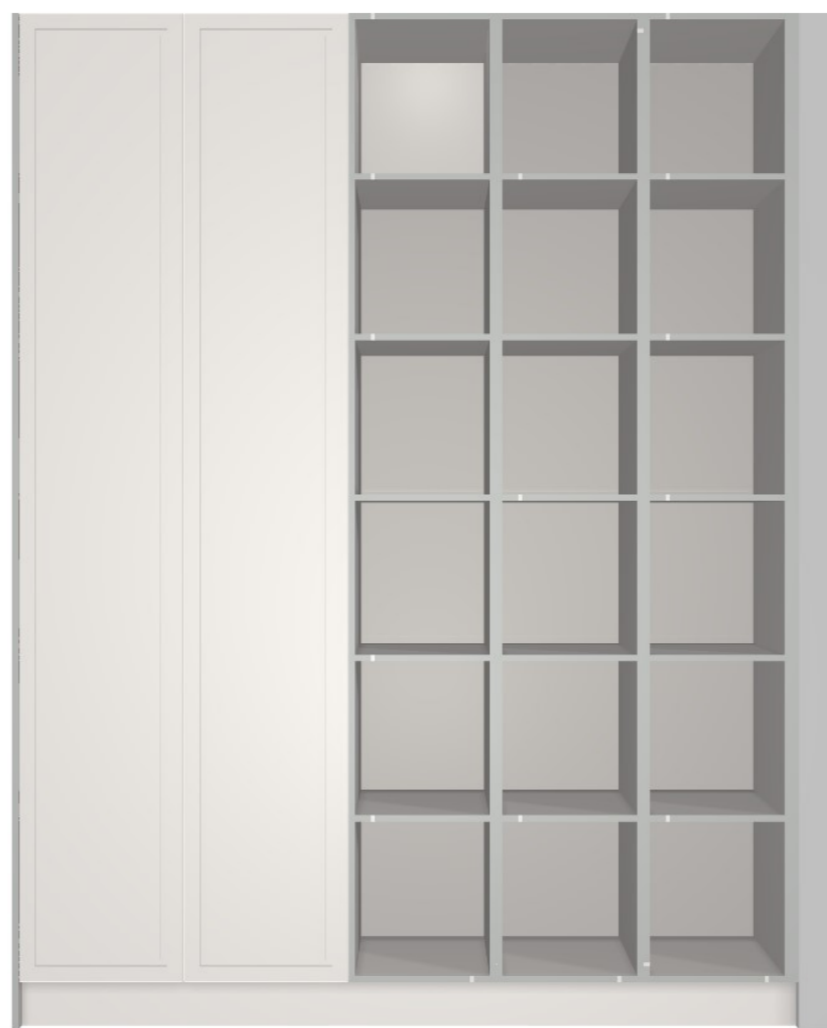
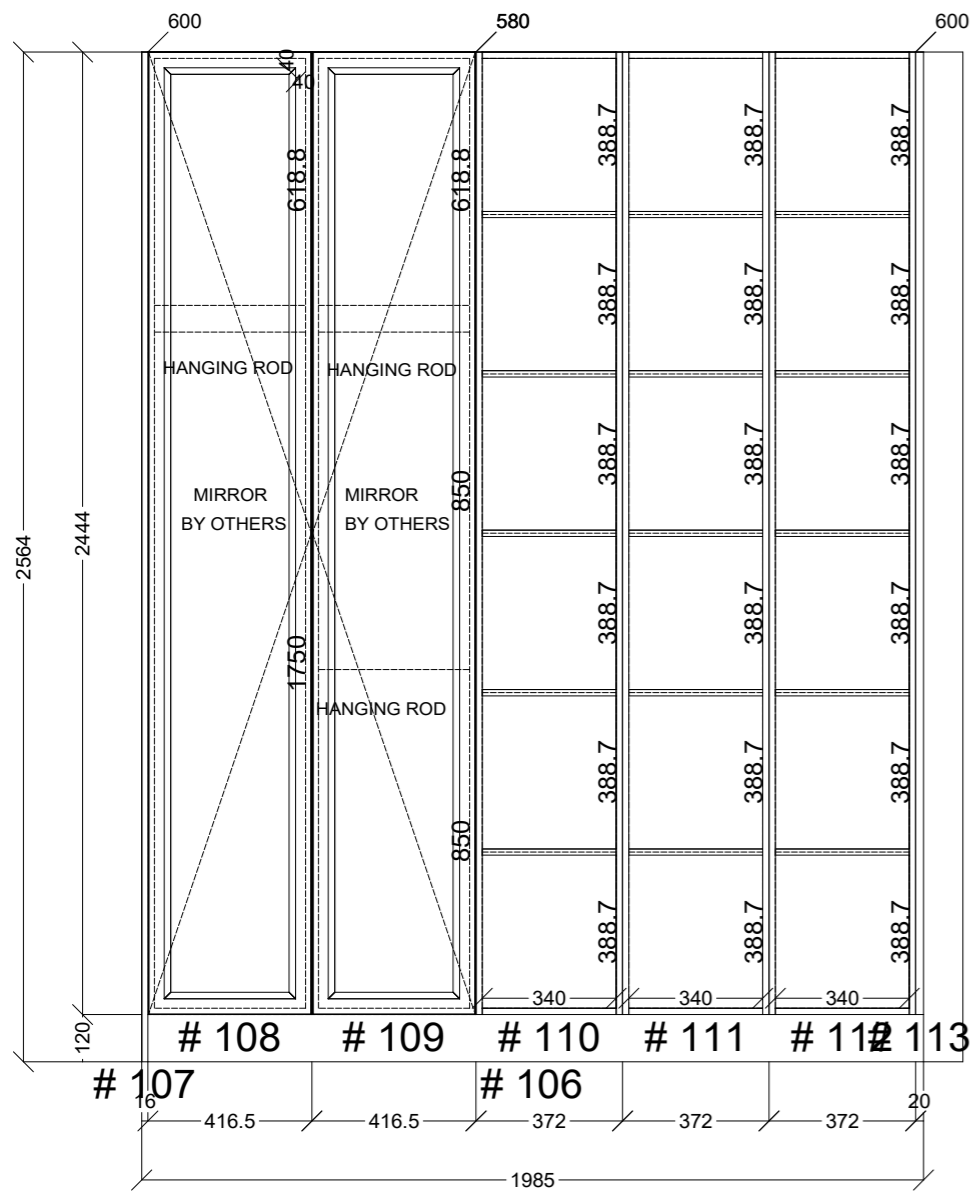
	Client: FARSID CONSTRUCTION		Door and panels style/colour: BLOSSOM WHITE MATT		Sheet 8 of 13
	Room: BED 2 ROBE		Benchtop Colour: N/A		Drawer slides: BLUM ANTARO
	Carcass: WHITE HMR		Date: 06/06/24		Address: 203 MELVILLE RD BRUNSWICK WEST
Handles Item No: TBA		Approved by:			




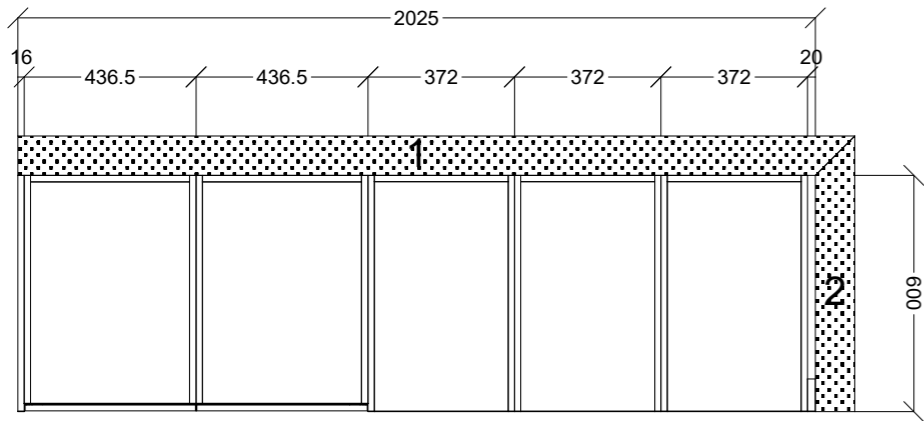
	Client: FARSSIDE CONSTRUCTION		Door and panels style/colour: BLOSSOM WHITE MATT		Sheet 9 of 13
	Room: BED 3 ROBE	Benchtop Colour: N/A	Drawer slides: N/A		Carcass: WHITE HMR
	Date: 06/06/24	Address: 203 MELVILLE RD BRUNSWICK WEST	Handles Item No: TBA		Approved by:



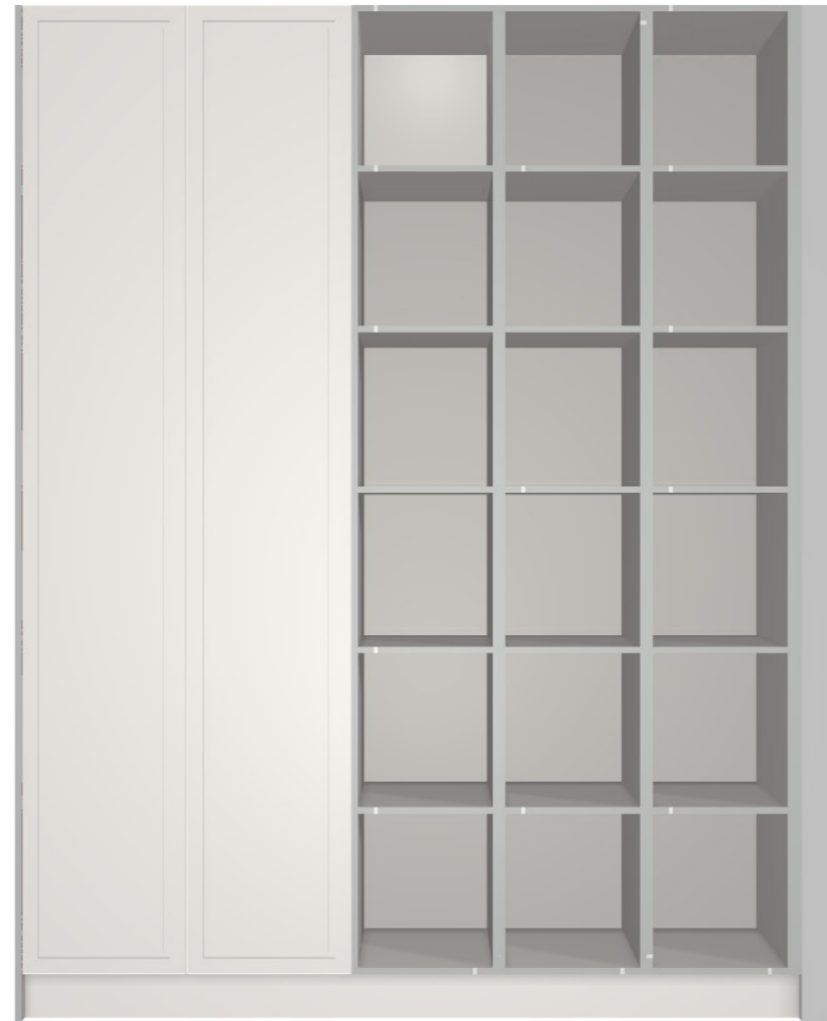
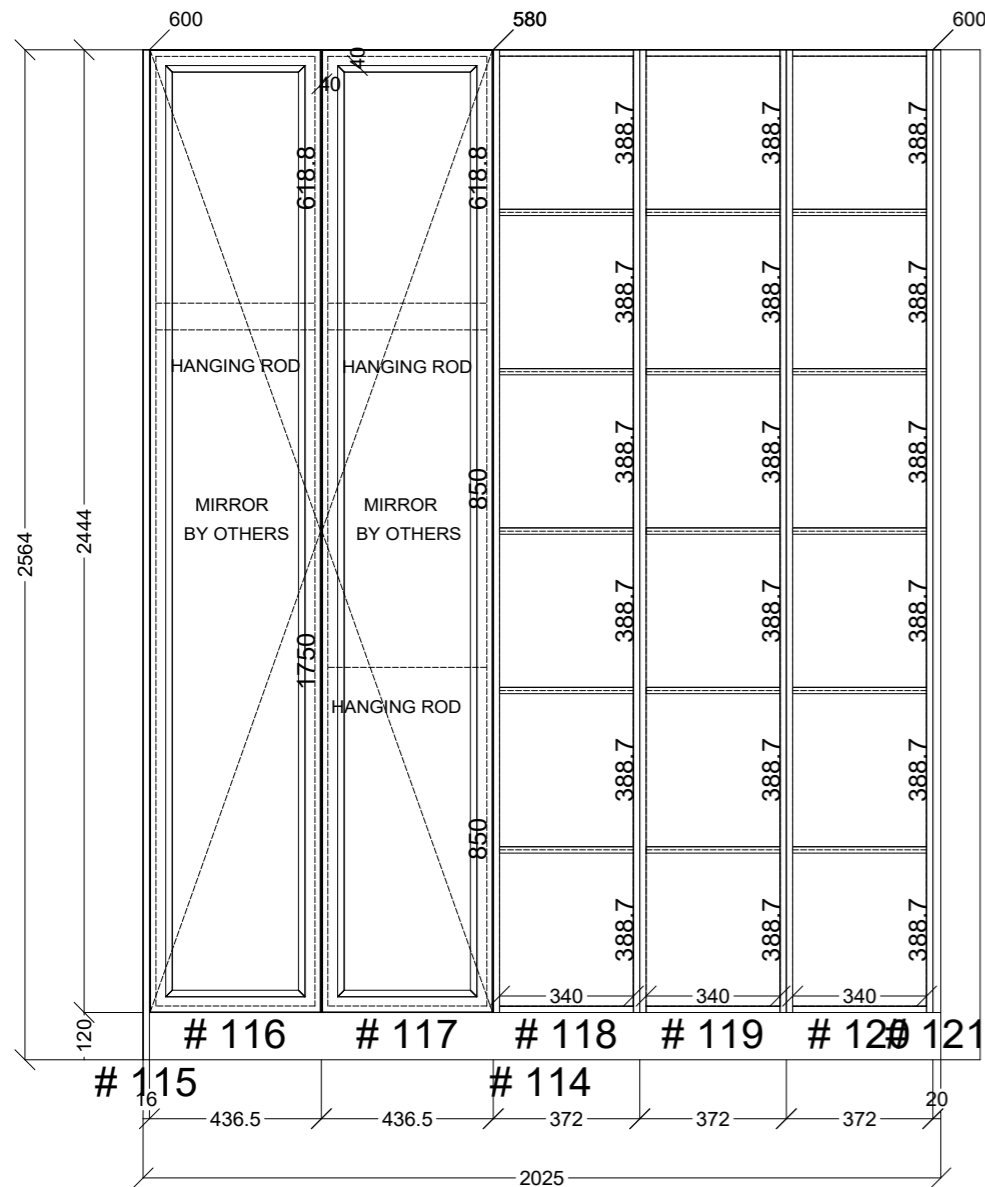
ALL SHELVES ARE FIXED




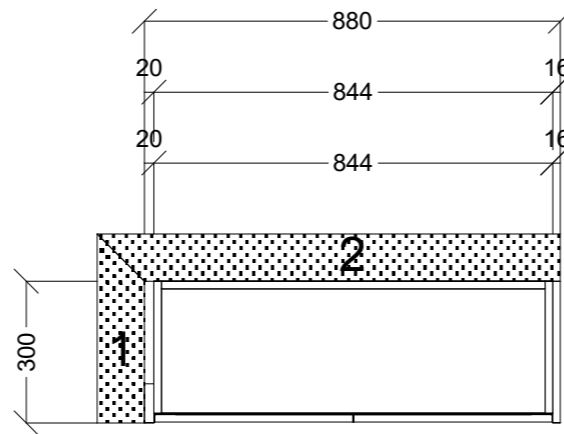
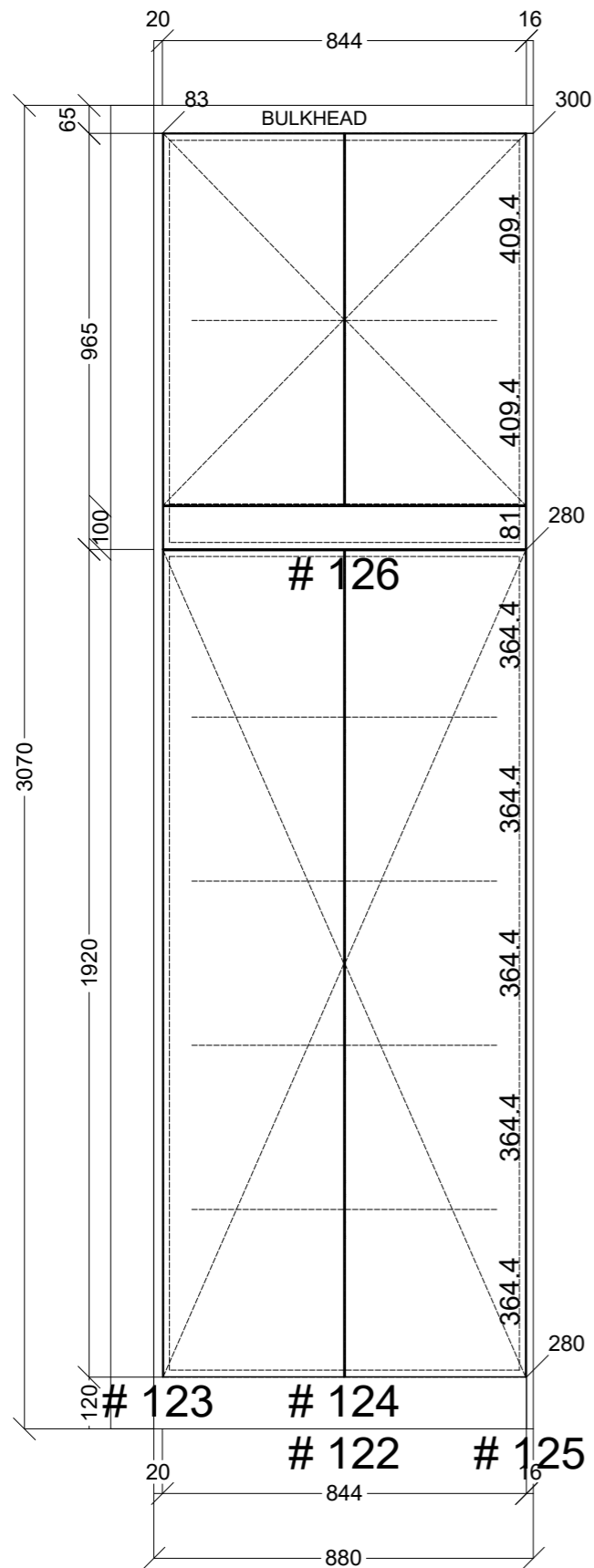
	Client: FARMSIDE CONSTRUCTION		Door and panels style/colour: BLOSSOM WHITE MATT		Sheet 10 of 13
	Room: BED 4 ROBE	Benchtop Colour: N/A	Drawer slides: N/A		Carcass: WHITE HMR
	Date: 06/06/24	Address: 203 MELVILLE RD BRUNSWICK WEST	Handles Item No: TBA		Approved by:




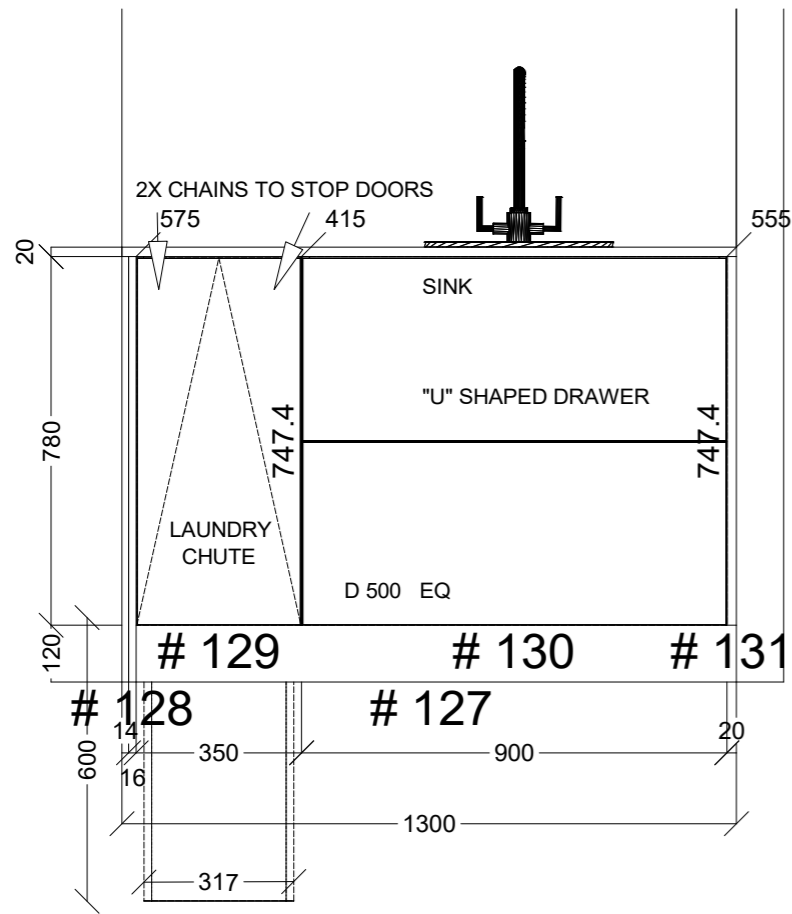
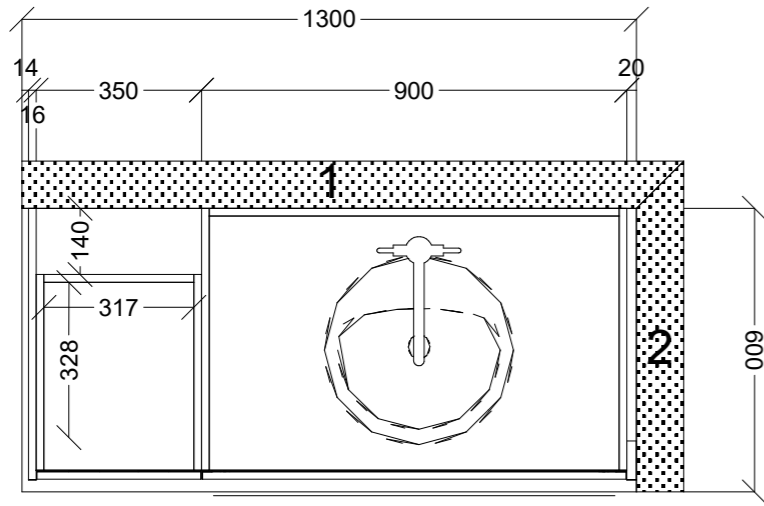
ALL SHELVES ARE FIXED




	Client: FARSIDE CONSTRUCTION		Door and panels style/colour: BLOSSOM WHITE MATT		Sheet 11 of 13
	Room: BED 5 ROBE	Benchtop Colour: N/A	Drawer slides: N/A		Carcass: WHITE HMR
	Date: 06/06/24	Address: 203 MELVILLE RD BRUNSWICK WEST	Handles Item No: TBA		Approved by:



	Client: FARMSIDE CONSTRUCTION		Door and panels style/colour: BLOSSOM WHITE MATT		Sheet 12 of 13
	Room: LINEN	Benchtop Colour: N/A		Drawer slides: N/A	Carcass: WHITE HMR
	Date: 06/06/24	Address: 203 MELVILLE RD BRUNSWICK WEST	Handles Item No: TBA		Approved by:



 CONNECT KITCHENS	Client: FARMSIDE CONSTRUCTION		Door and panels style/colour: BLOSSOM WHITE MATT		Sheet 13 of 13
	Room: BATH 2	Benchtop Colour: 20MM STONE		Drawer slides: BLUM ANTARO	Carcass: WHITE HMR
	Date: 06/06/24	Address: 203 MELVILLE RD BRUNSWICK WEST	Handles Item No: TBA		Approved by: