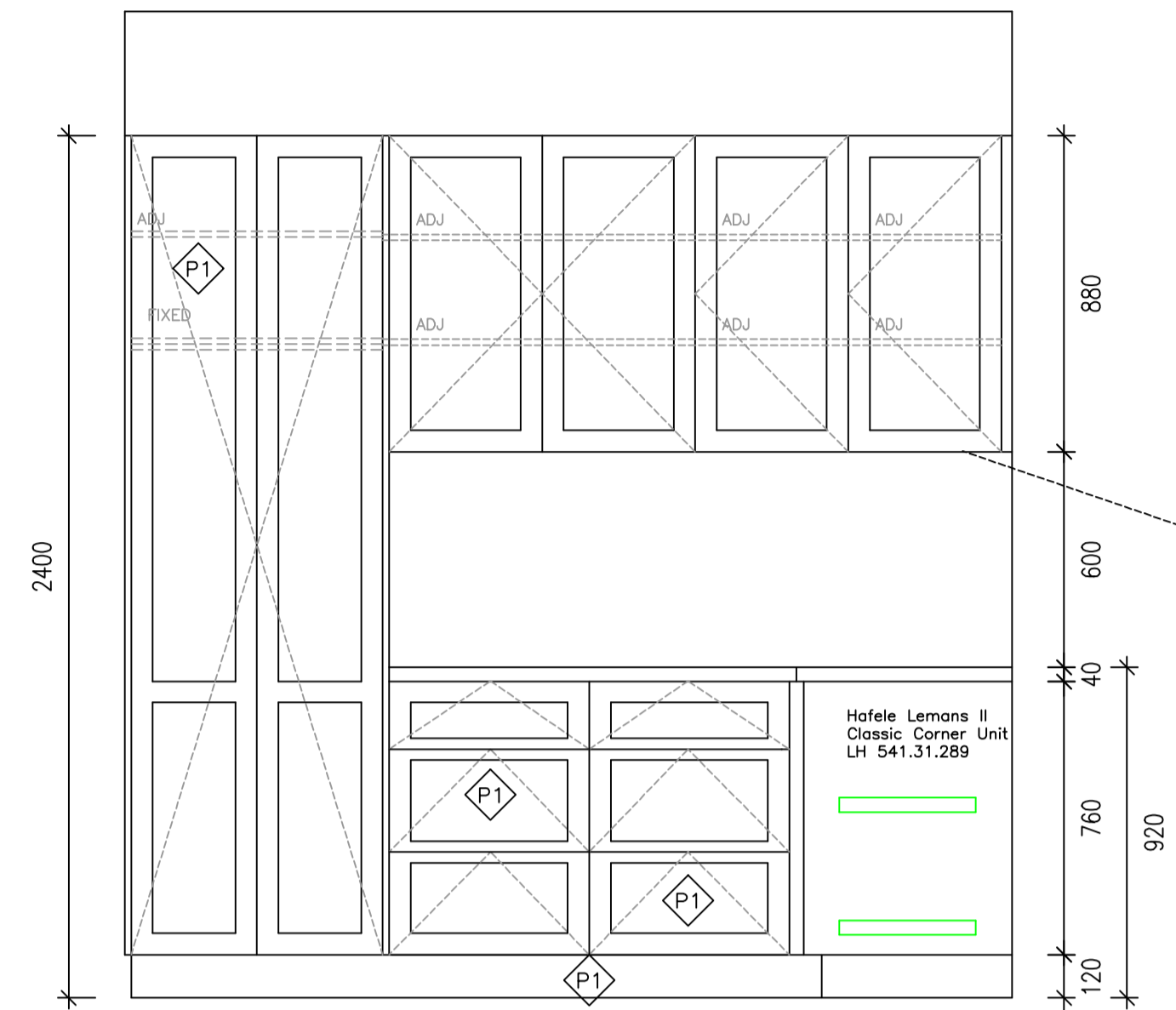
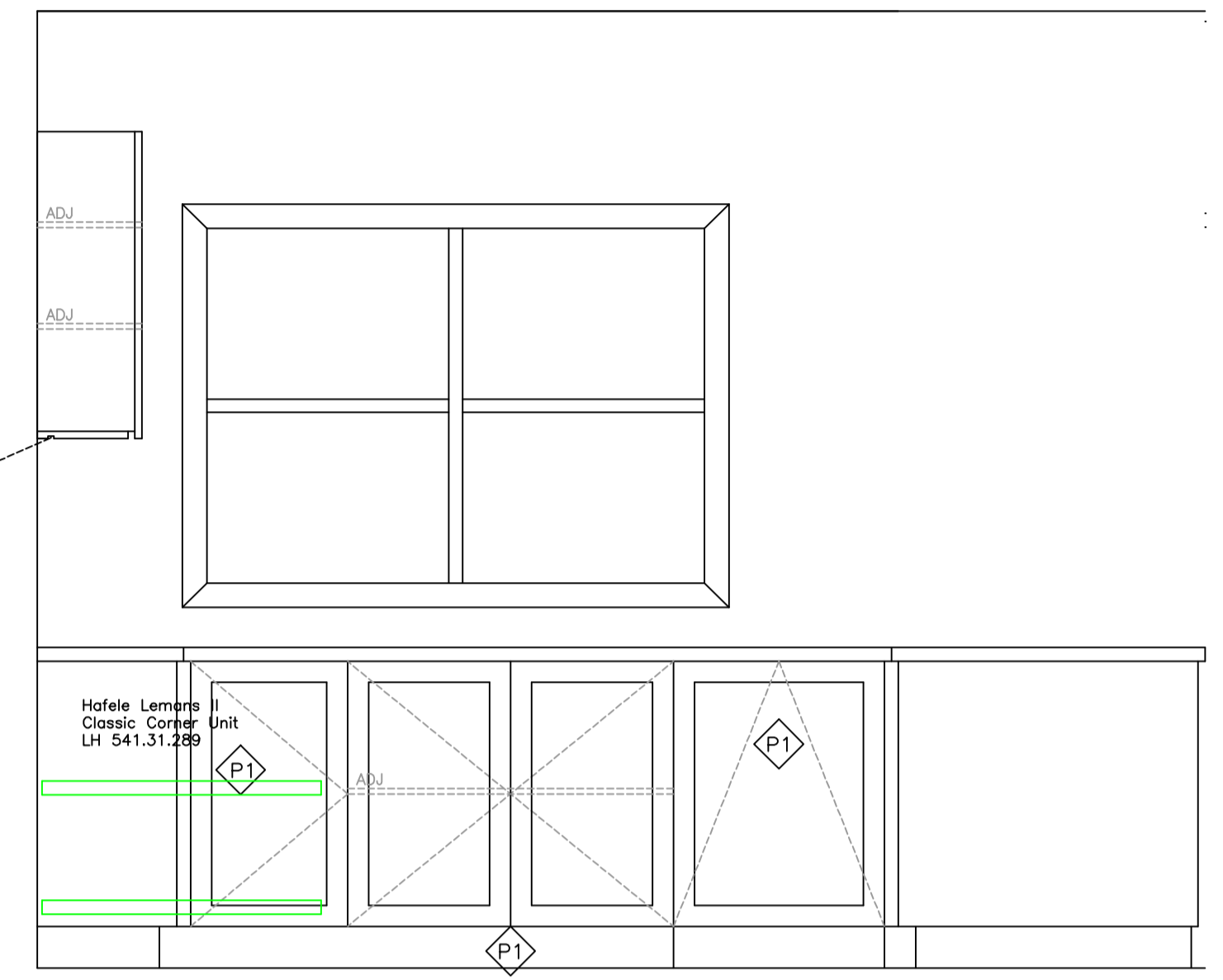


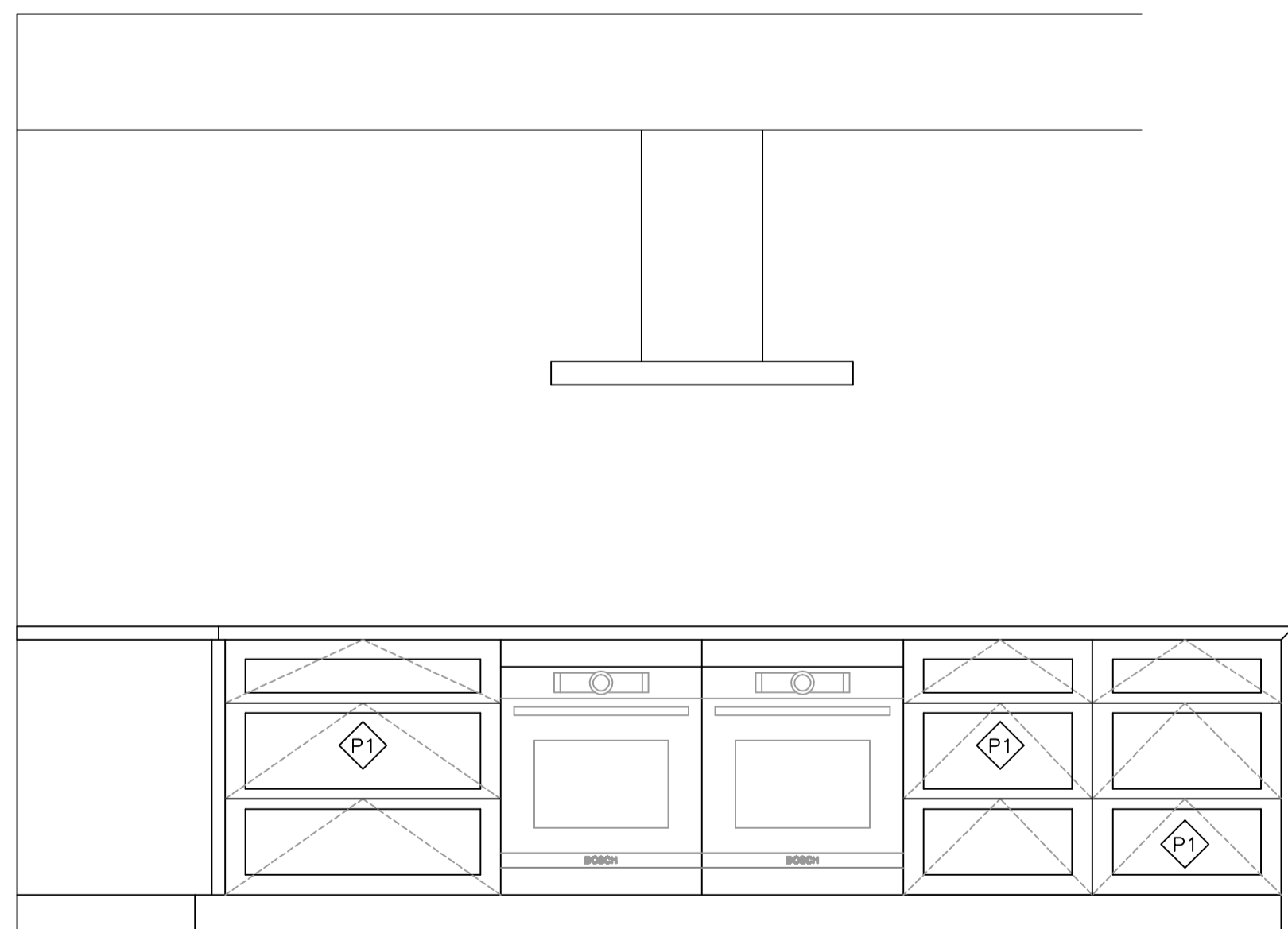
PLAN VIEW



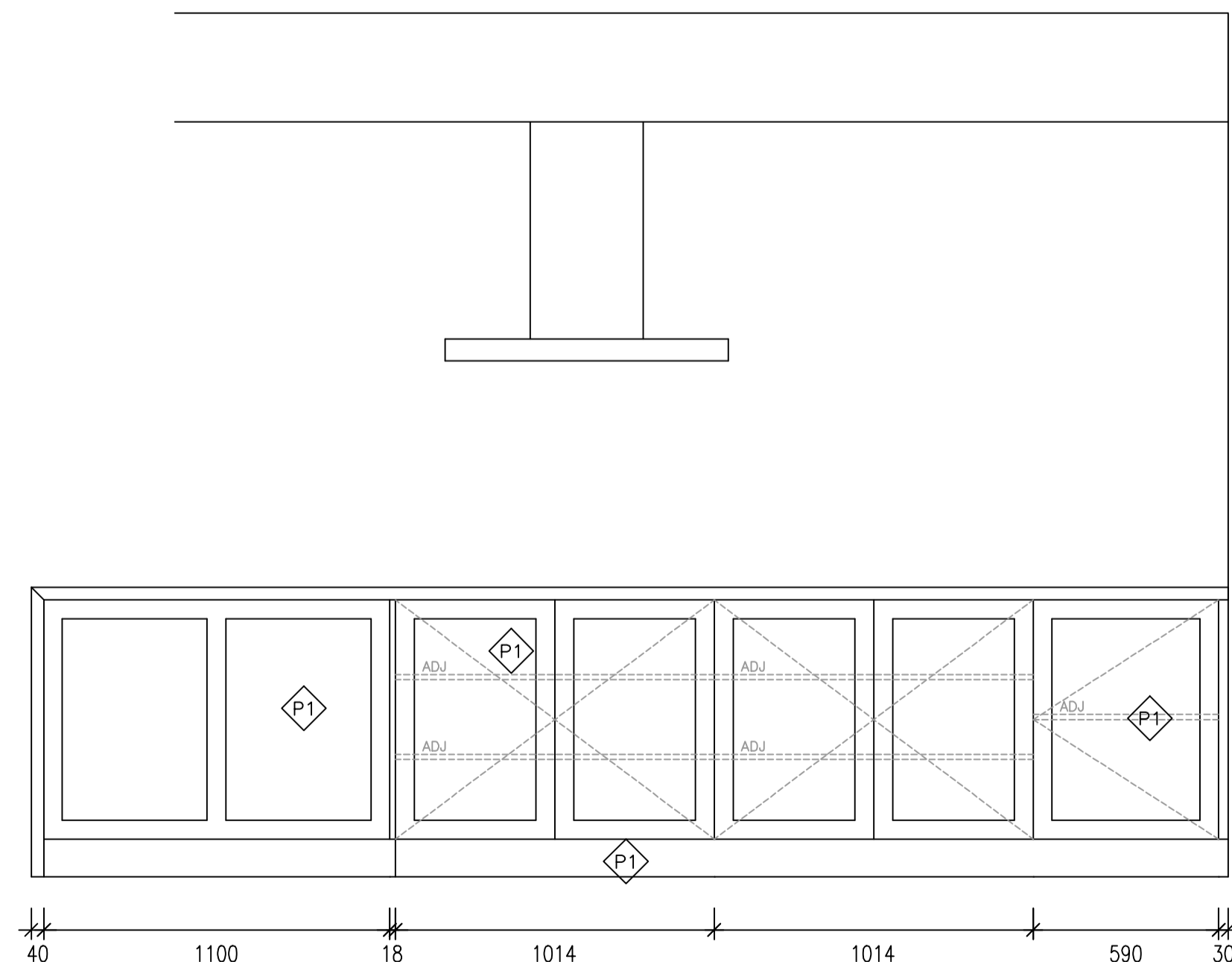
ELEVATION A



ELEVATION B



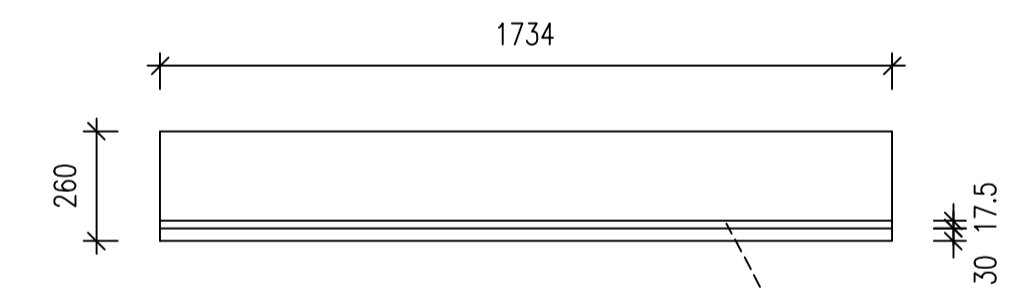
ELEVATION C



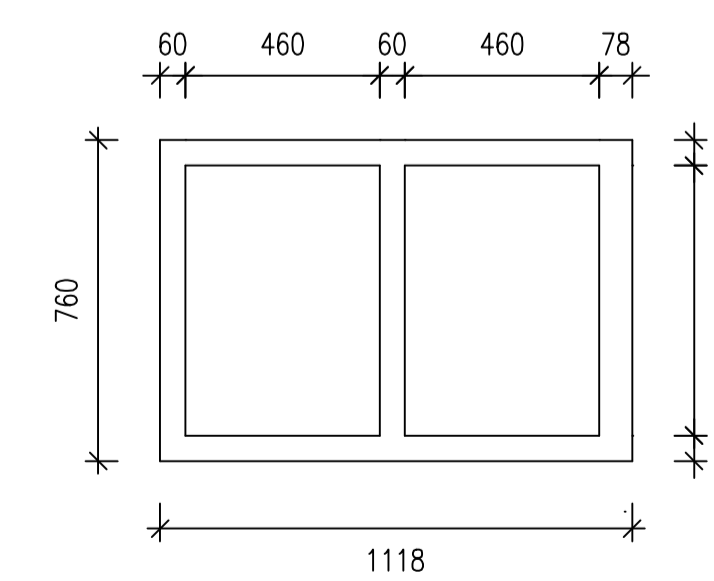
ELEVATION D

FINISHES

- 40mm STONE BENCHTOP BY JM
- SHAKER DOORS AND DRAWERS AND FLAT PANELS FINISHED IN 2 PAC SATIN COLOUR TBC



O/H PANEL



ISLAND PANEL

JO'S MAKEOVERS



PROJECT: 75 EDITHVALE RD
EDITHVALE

Drawing Title : KITCHEN
Date: 03/06/2024
Drawing No. A1
Revision : A
Drawn: AC

PLANS INSPECTED AND APPROVED FOR CONSTRUCTION
NAME _____
SIGNED _____
DATED / /