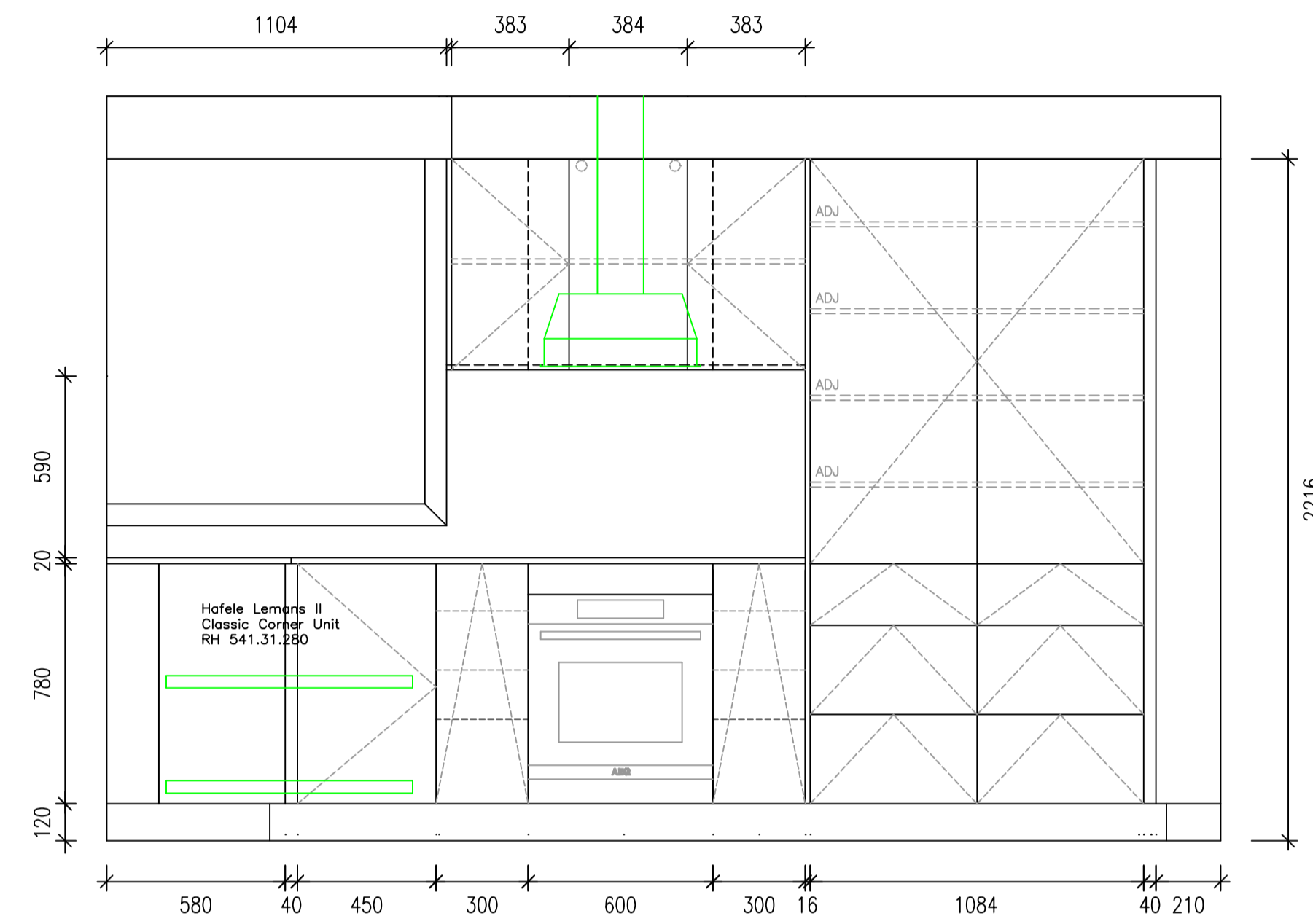
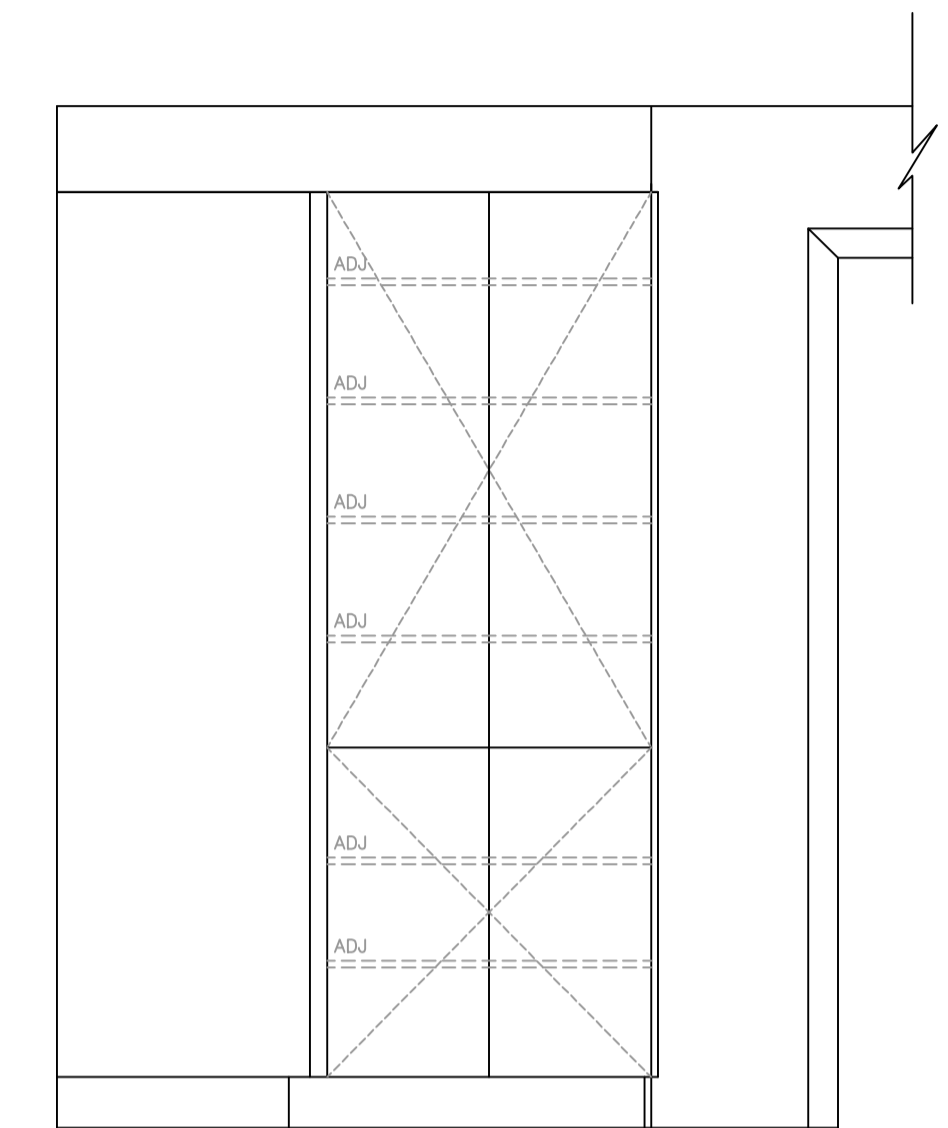


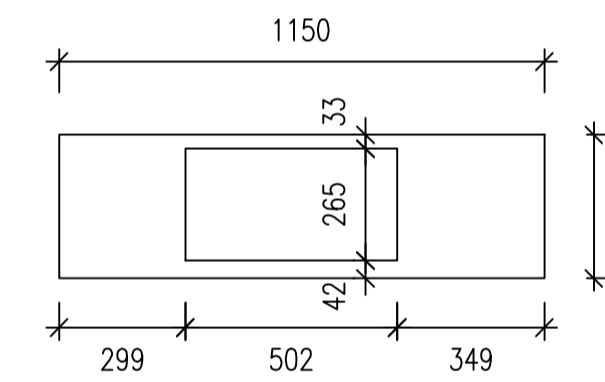
**PLAN VIEW**



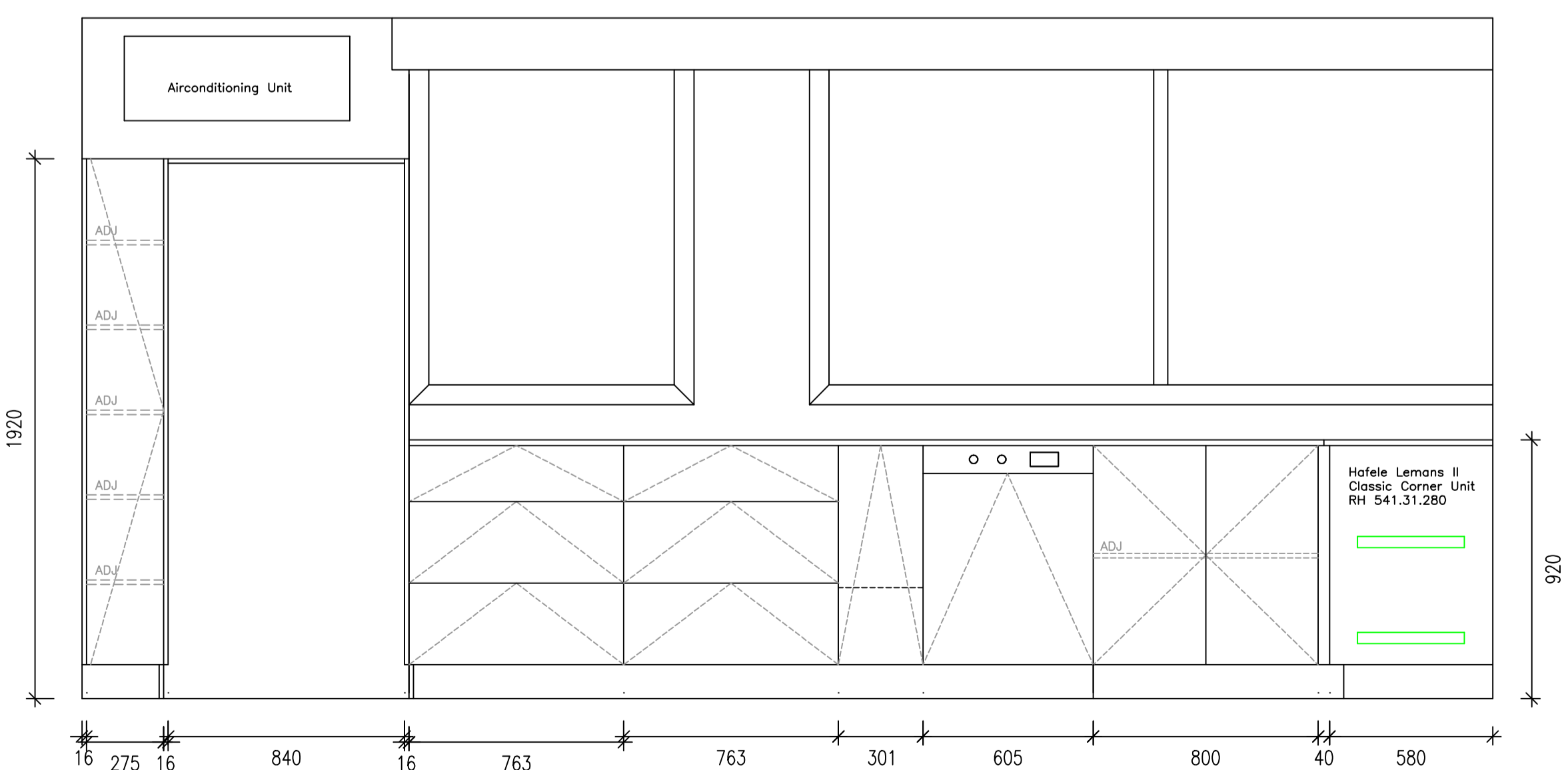
**ELEVATION A**



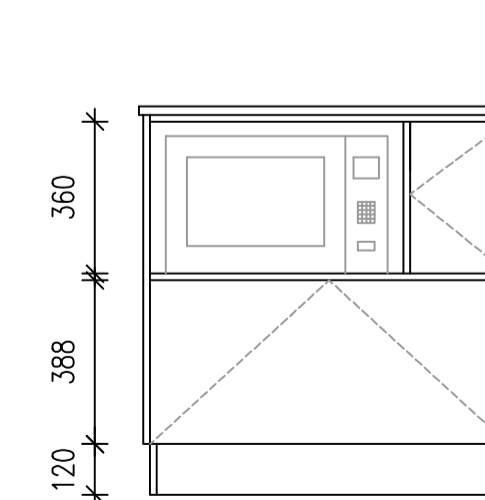
**ELEVATION B**



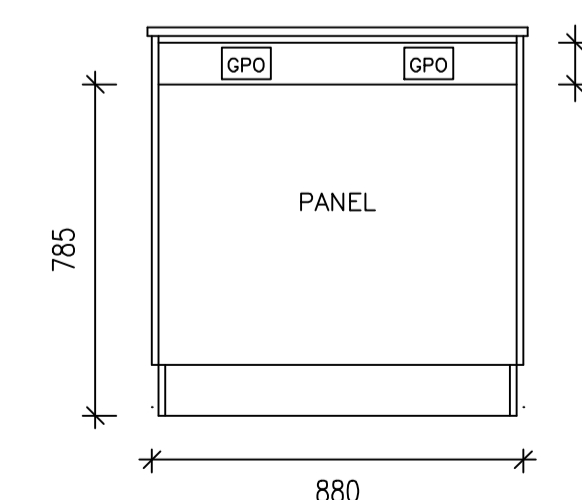
**OVERHEAD UNDER PANEL WITH RANGEHOOD CUT OUT**



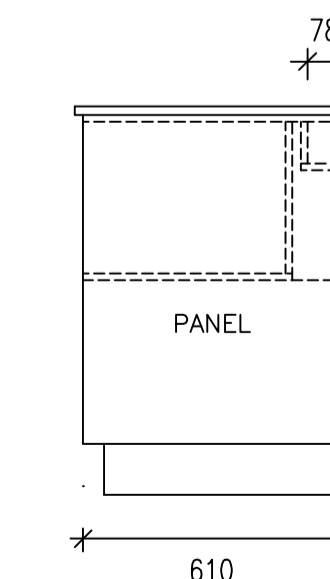
**ELEVATION D**



**ELEVATION C**



**ELEVATION E**



**ELEVATION F**

**FINISHES**

- ◇S1 20mm NATURAL STONE BENCHTOPS BY JM COLOUR TBC
- ◇L1 16mm POLYTEC WHITE COTTON MATT
- ◇H1 LIP PULLS TBC

**JO'S MAKEOVERS**



PROJECT: 14 HEATHER GROVE CHELTENHAM

Drawing Title : KITCHEN  
 Date: 29/07/2024  
 Drawing No. A1  
 Revision : D  
 Drawn: AC

PLANS INSPECTED AND APPROVED FOR CONSTRUCTION  
 NAME \_\_\_\_\_  
 SIGNED \_\_\_\_\_  
 DATED / /