

DESIGNED BY  
SHAI ZEEV

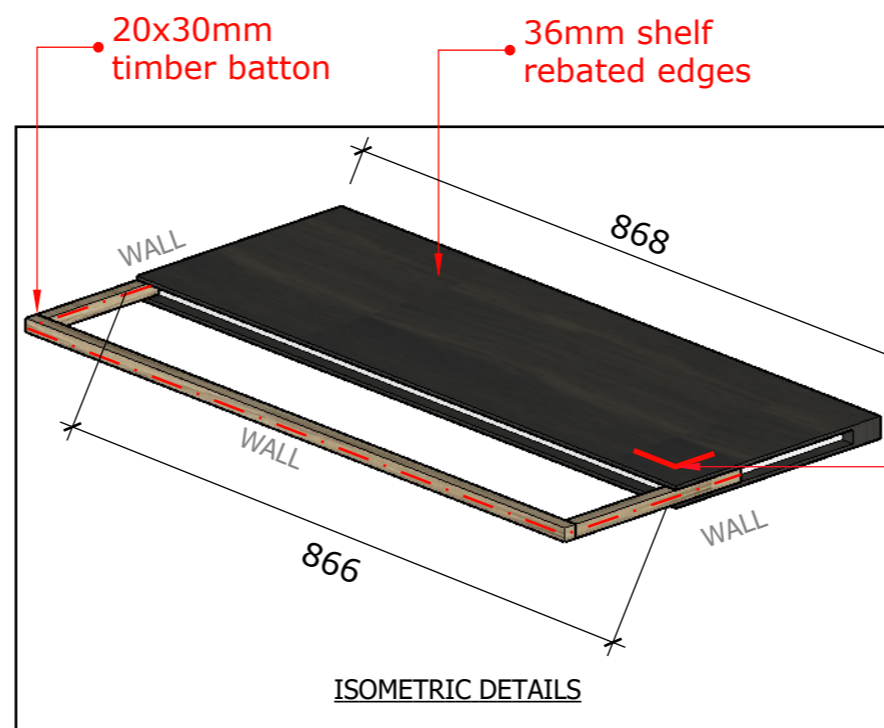
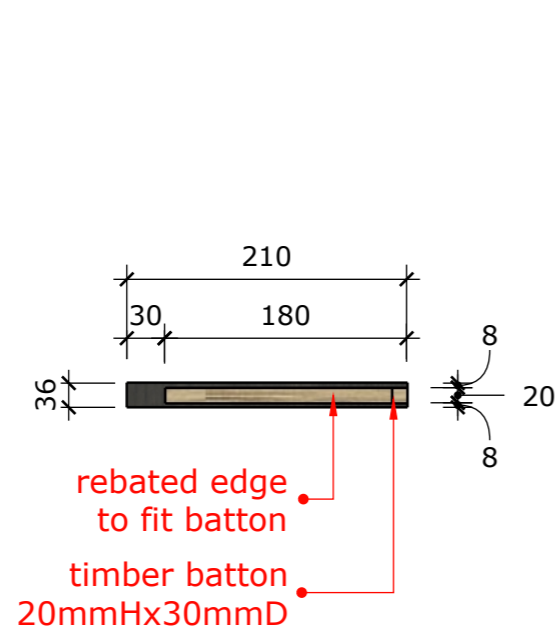
ABN: 47 640 715 279  
6b Larman St, Bentleigh East 3165  
Mob: 0407004576  
E-mail: sales@thecabinetmerchant.com.au

PROJECT TITLE  
FLOATING SHELF  
DETAILS

CLIENT ADDRESS

CLIENT NAME

**The Cabinet Merchant**



**SHELF DIMENSION:**  
BACK = 866mm  
FRONT = 868mm  
(note: right angle on this corner of the shelf)

**NOTE: DRAWING IS NOT TO SCALE.  
PLEASE REFER TO DIMENSIONS**

**A** :: **FLOATING SHELF DETAILS**  
001 scale: N.T.S