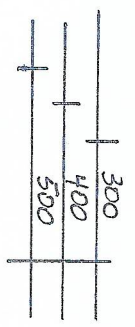
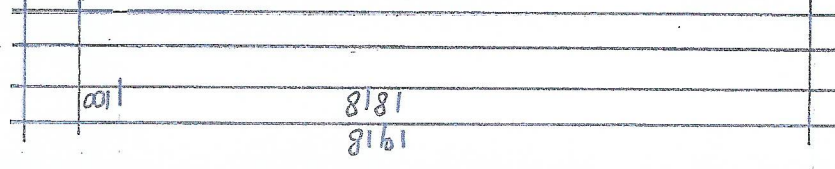
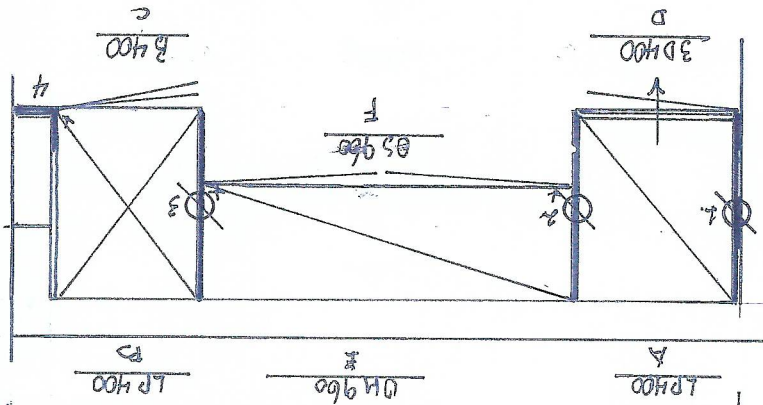
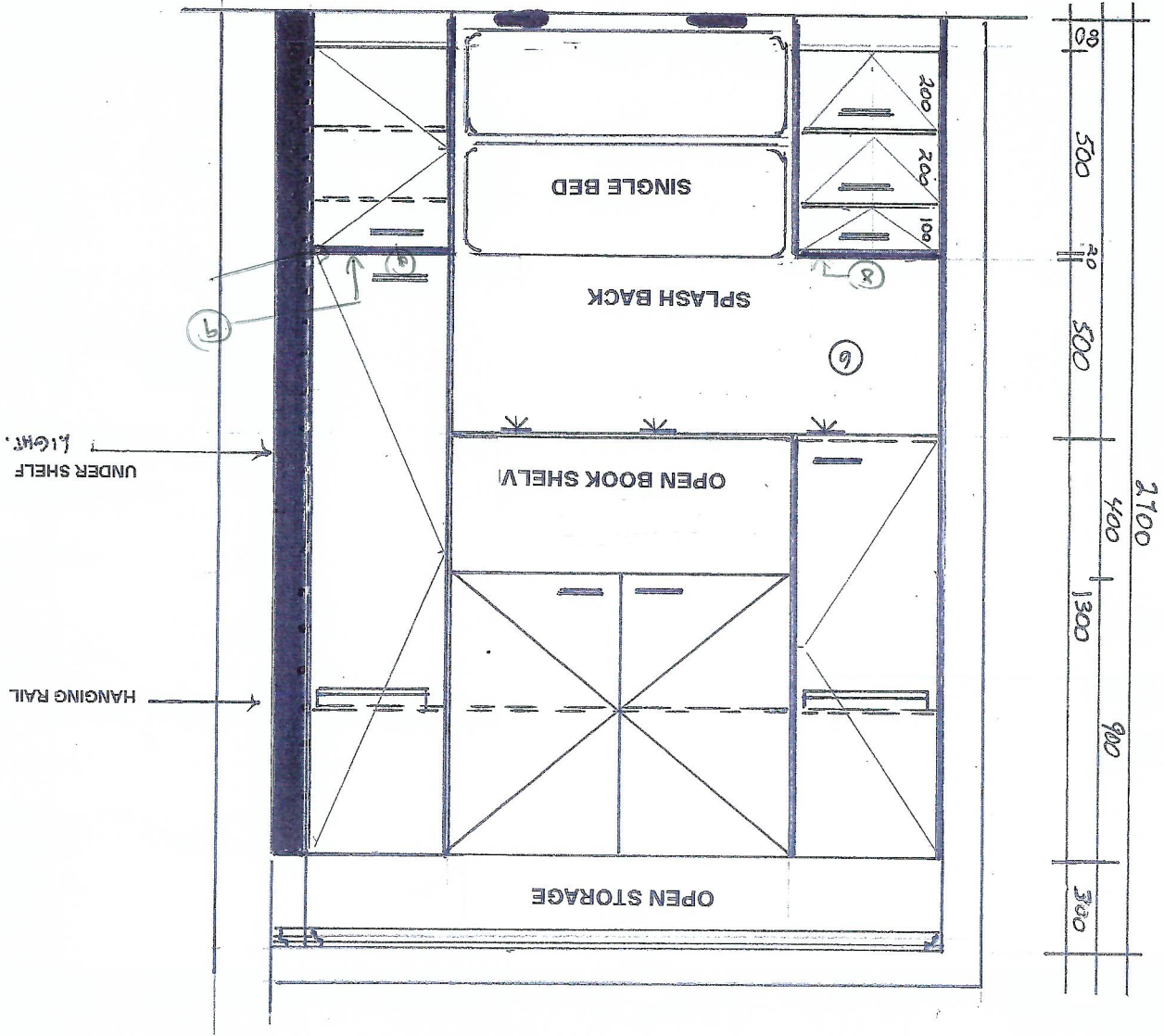


DISPLAY A



C/12



FRONT DESIGN TYPE SELECTION

Door Style
 Flat Panel
 16mm

APPLIANCE DETAILS	HEIGHT	WIDTH	DEPTH	COMMENTS
Oven				
Hot Plate				
Range Hood				
Fridge				
Microwave				
Dishwasher				

Drawer system White SUMLINE TRUS

D-3 DRAWERS 100-200-200
 * ALL JOINERY IN (SPINEX) INSIDE AND OUT
 * LAMINEX BOARD TO BE SUPPLIED BY ECOL KITCHENS
 * All wrapped individually

ITEM	HEIGHT	WIDTH	DEPTH	ITEM	HEIGHT	WIDTH
1	2400	520	520	9	520	520
2	1300	520	520	10	520	520
3	2400	520	520	11	520	520
4	2400	150	150	12	150	150
5	60	1000	1000	13	1000	1000
6	500	1380	1380	14	1380	1380
7	580	580	580	15	580	580
8	580	420	420	16	420	420

PANELS EDGED ALL SIDES

CODE	HEIGHT	WIDTH	DEPTH	CODE	HEIGHT	WIDTH	DEPTH
A	1300	400	500	K	500	400	500
B	1800	400	500	L	500	400	500
C	500	400	500	M	500	400	500
D	500	400	500	N	500	400	500
E	900	960	300	O	300	960	300
F	400	960	320	P	320	960	320
G				O			
H				R			
I				S			
J				T			

* CABINETS → (ARCAS SIZES) 16mm SPINEX NATURAL 8539 / LAMINEX

ITEM	COLOUR	FINISH	BRAND	Deliver	Client	Cont
Item						
Bench Tops				Install	Client	Cont
Doors	SPINEX		NATURAL 8539	Rid cut	Client	Cont
Handles				Rubb Rem	Client	Cont
Ends				Trim	Client	Cont
Back Panels				Appliance	Client	Cont
Kickers	80			Joinery Height	Client	Cont
Bulkhead				Bench Top Height		
Substrate				Ceiling Height		
Templates						

Date: 05/8/24
 Name: [Signature]
 Job number: [Signature]