

ORDER FORM

SJ Custom Kitchens

Order Ref # **Chris kitchen**

Date Ordered: **10/19/24**

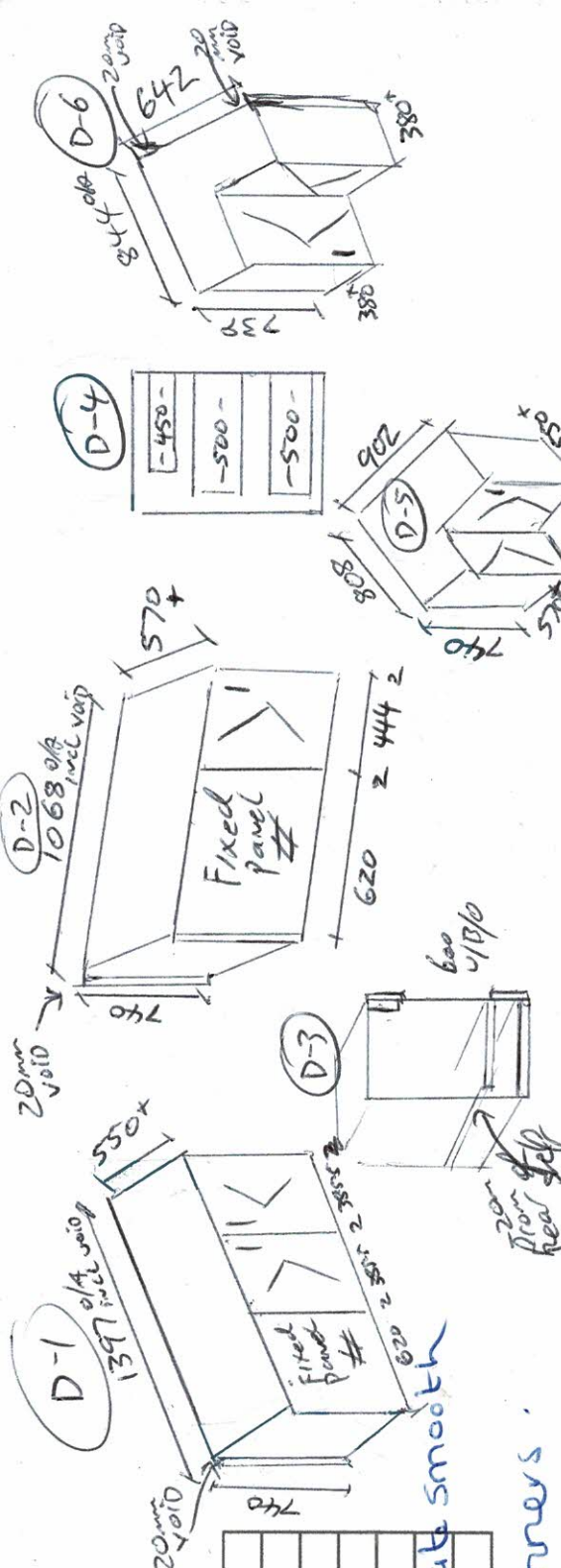
Date Required: **Carcass 1st**

Carcass: **16mm white mel**

Colour Board: **16mm gossamer white smooth**

Edge Type: **1mm**

blum merivobox drawers



QTY	CABINET	HEIGHT PLUS KICKER	WIDTH	DEPTH + DOOR	NOTES
1	X3 Drawer base Cab	740	632	550	3/182/3/274.5/3/274.5 X 629
1	X1 Door base Cab (Bin)	740	450	550	No Drilling no shelf Door = 737 X 448
1	X1 Door base Cab R-Hinged	740	450	550	X1 Adjust shelf Door = 737 X 447
1	X2 Door Blind cur Base Cab	740	1397	550	X1 Adjust shelf Doors = 737 X 385.5
1	X1 Door Blind cur Base Cab	740	1068	570	L-HINGED no shelf Door = 737 X 44
1	X1 Drawer base Cab	298	632	570	3/295 X 632
1	X1 open shelf m/w Cab	442	632	590	no shelf - side please edge top max
1	600 v/B/d Base Cab	740	600	570	3/68.5/600/68.5 X 596
1	X3 Drawer base Cab	740	632	570	3/182/3/274.5/3/274.5 X 631 top Drawer 450
1	X2 Door Door w-fold Base Cab	740	808x902	570x550	L-HINGED X1 Adjust shelf Doors = 737 X
1	X3 Drawer base Cab	740	750	580	3/182/3/274.5/3/274.5 X 746
1	X2 Door wall Cab	1495	750	580	X3 Adjust shelf Doors = 1495 X 372
1	X2 Door o/H Cab (Fridge)	530	1000	380	X2 Adjust shelf Doors = 550 X 496.5
1	X1 Door o/H Cab R-Hinged	739	259	380	X2 Adjust shelf Door = 759 X 256
1	X2 Door o/H Bi-fold cur Cab	739	844x612	380	X2 Adjust shelf Doors = 759 X R-HINGED
1	X1 Door o/H Cab L-Hinged	739	445	380	X2 Adjust shelf Door = 759 X 443
1	X2 Door o/H R-HOOD Cab	739	900	380	X2 Adjust shelf - See Detail - Doors = 759 X 448
1	X2 Door o/H Cab	739	834	380	X2 Adjust shelf - Doors = 759 X 444.5

