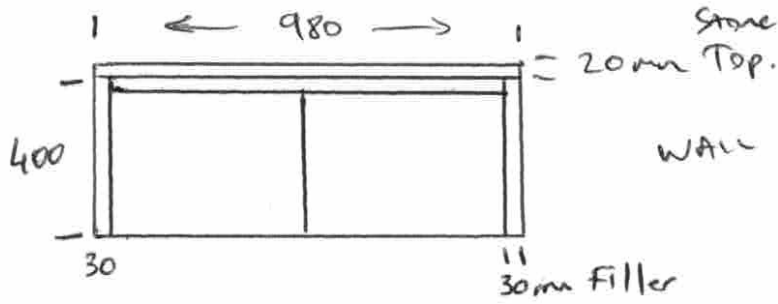


# UNIT ①

# VANITIES.

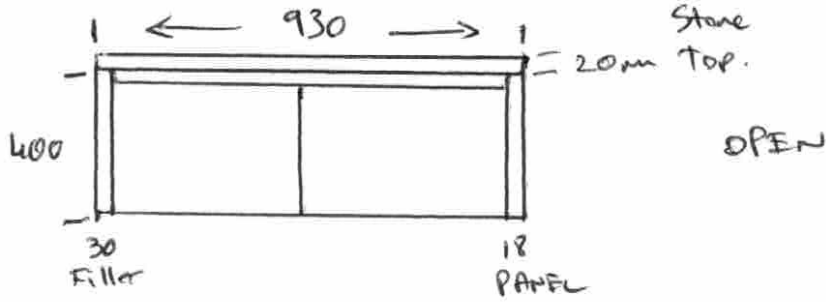
WALL



Ⓐ.

DEPTH 480

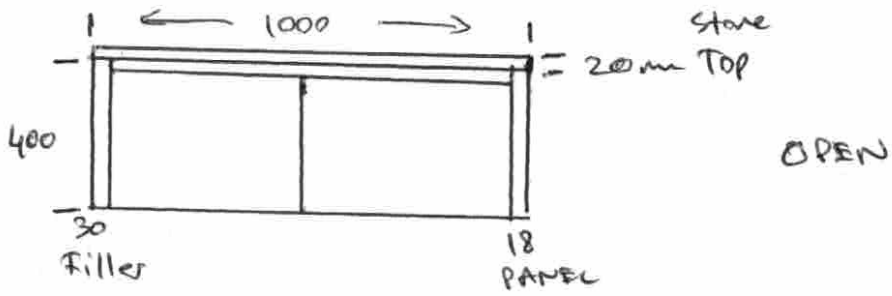
WALL



Ⓑ.

DEPTH 500

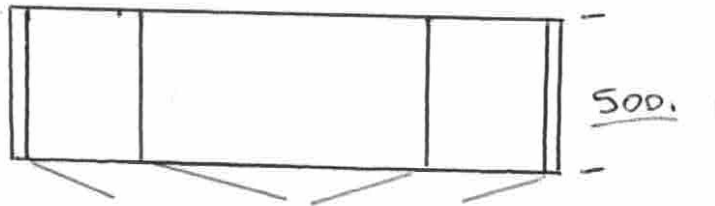
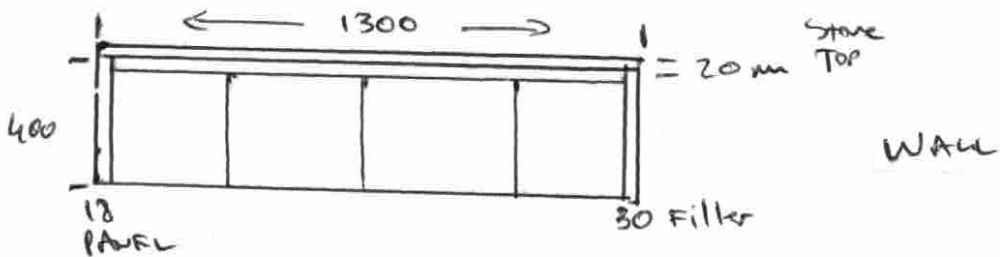
WALL



Ⓒ.

DEPTH 500

OPEN

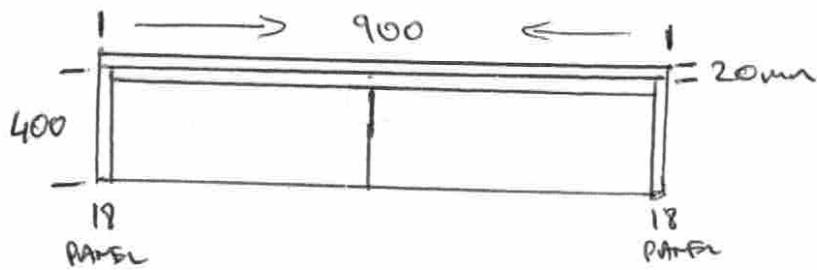


# UNIT ②

# JANITIES.

Ⓐ

OPEN

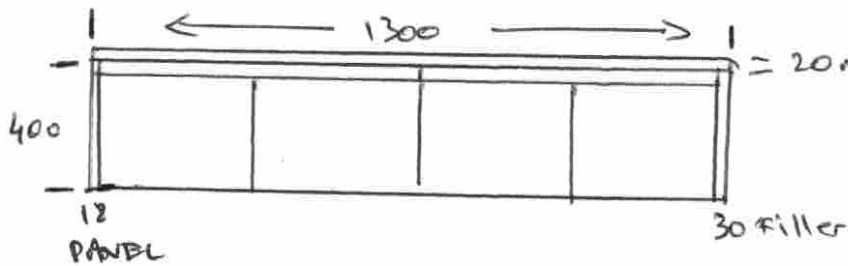


STOVE TOP

OPEN

500 DEPTH

OPEN



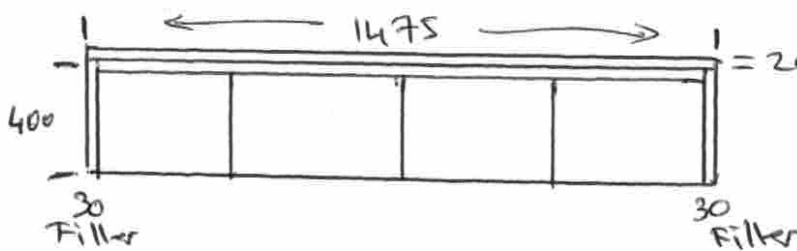
20mm STOVE TOP Ⓑ

WALL



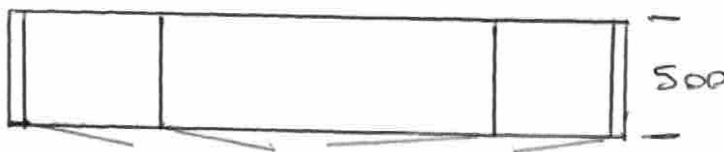
500

WALL



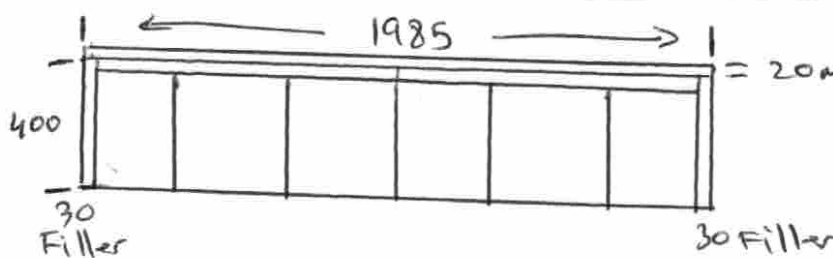
20mm STOVE TOP Ⓒ

WALL



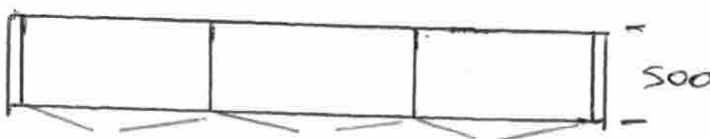
500

WALL



20mm STOVE TOP Ⓓ

WALL



500