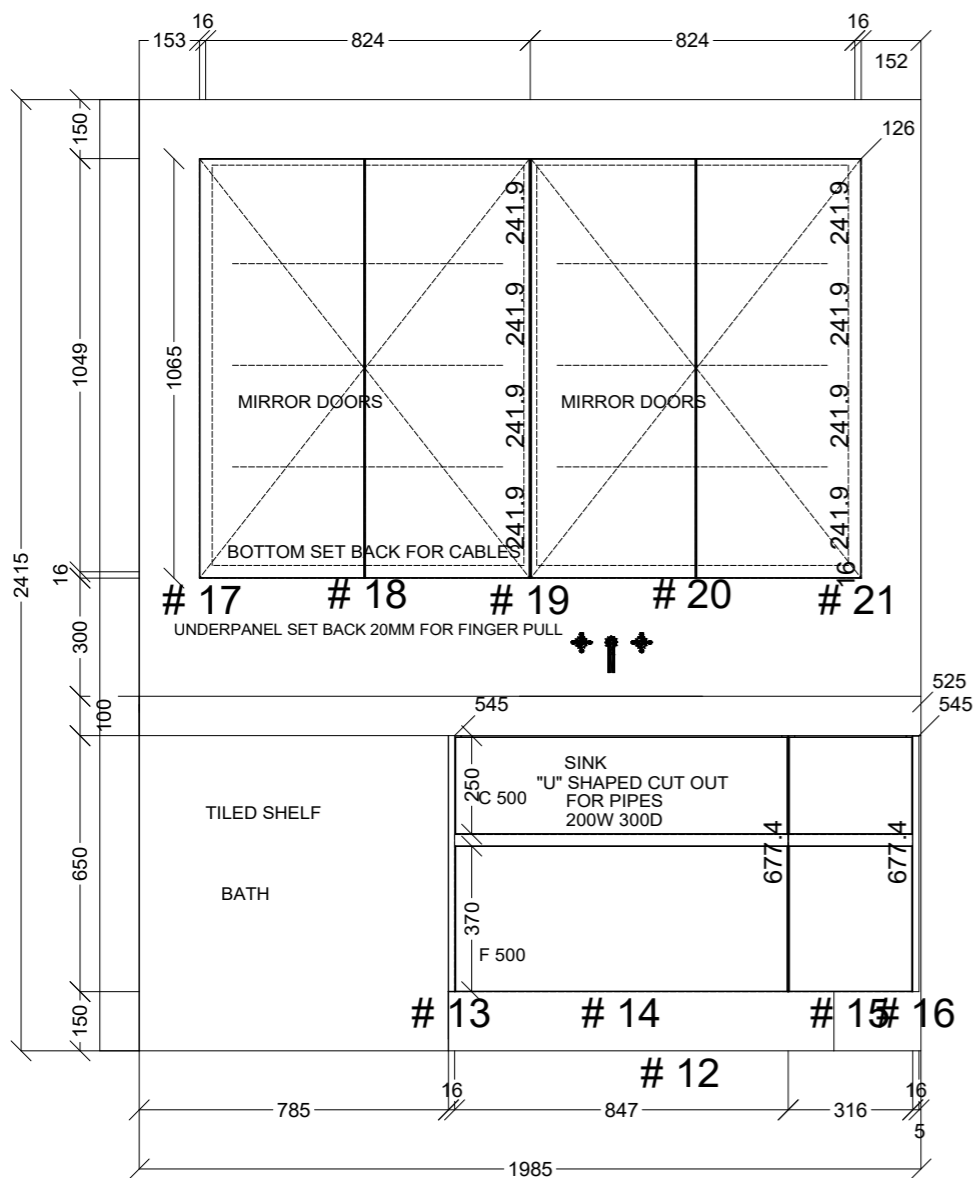
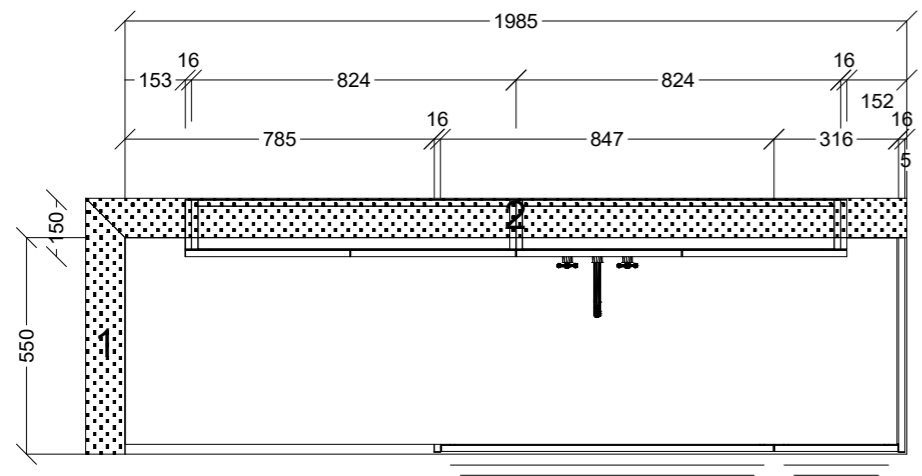

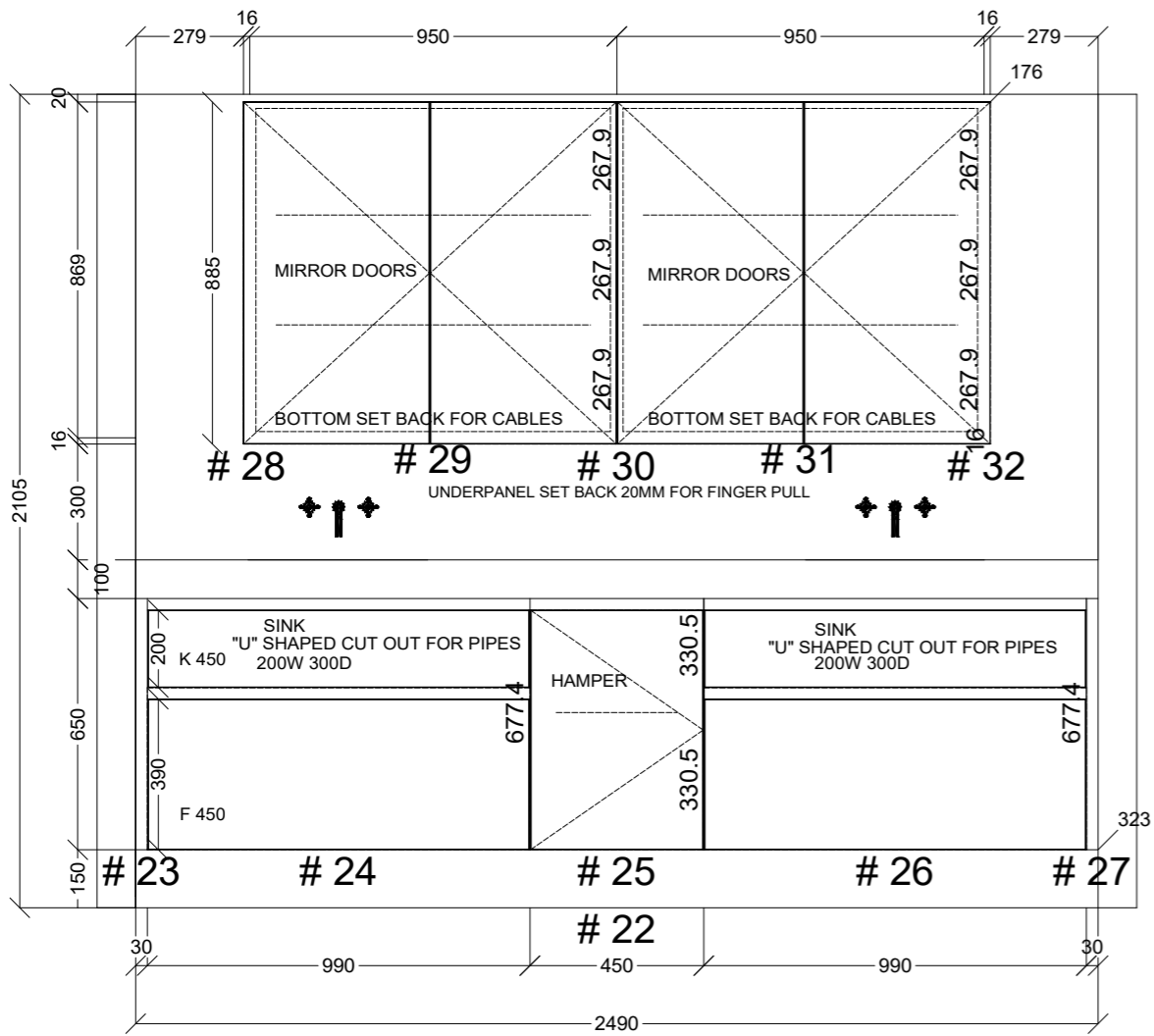
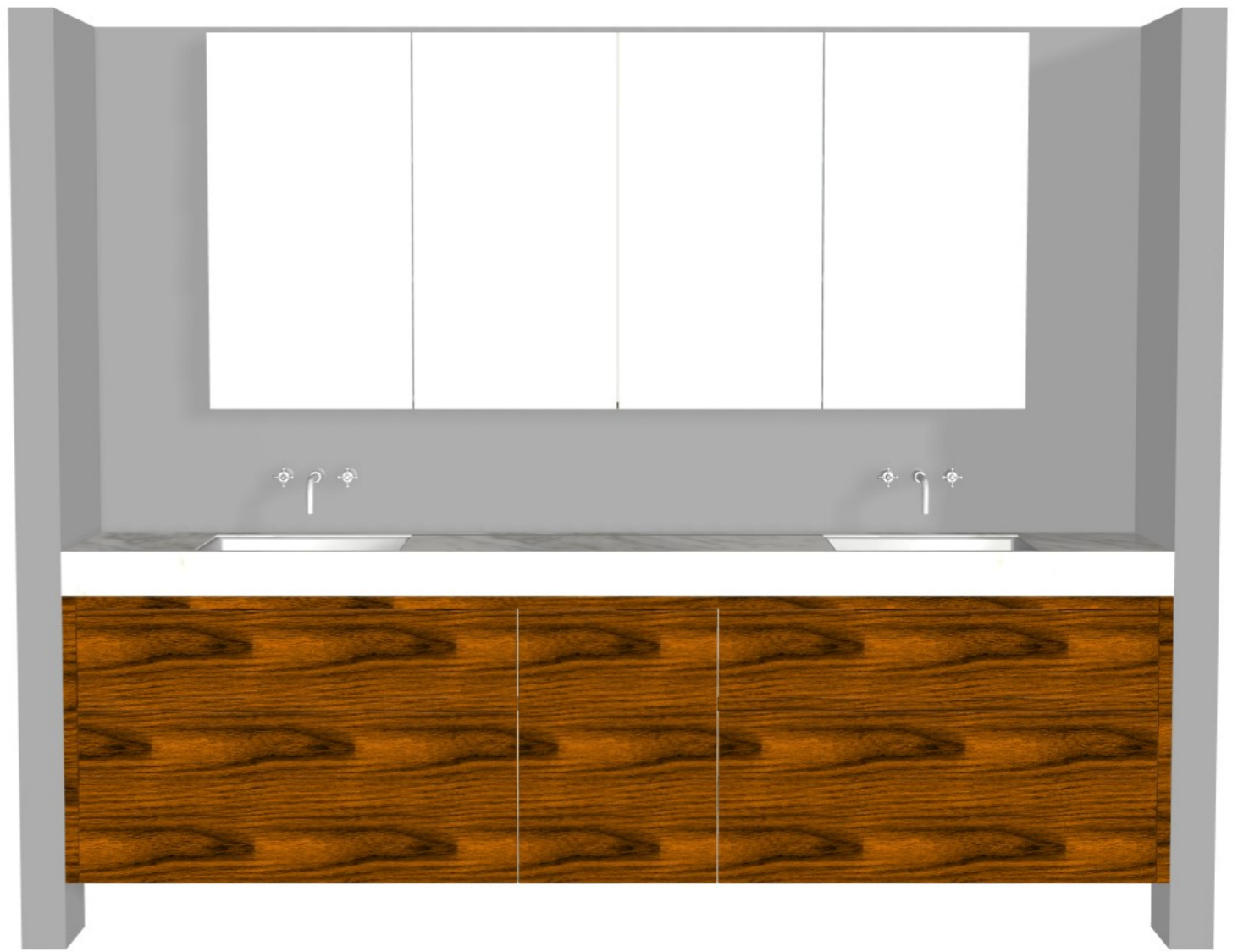
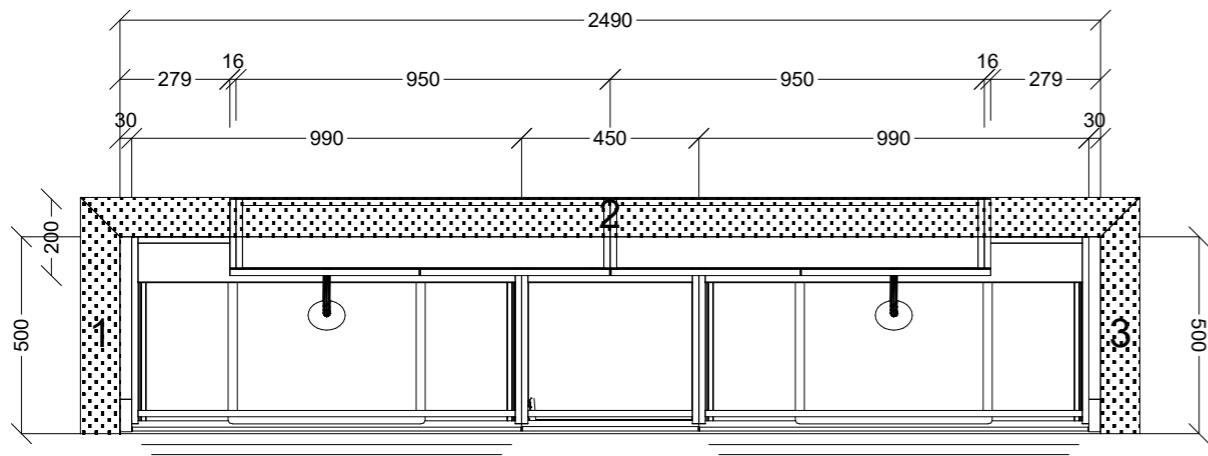

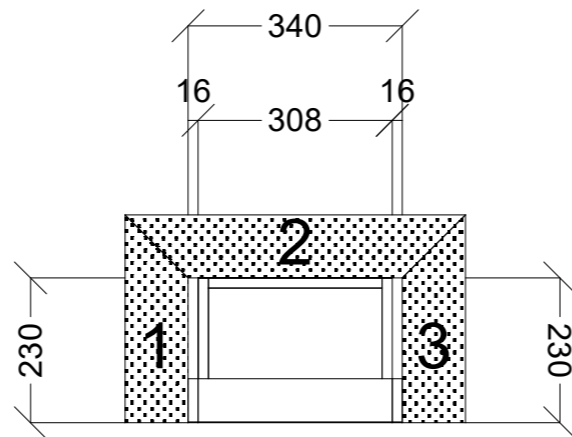
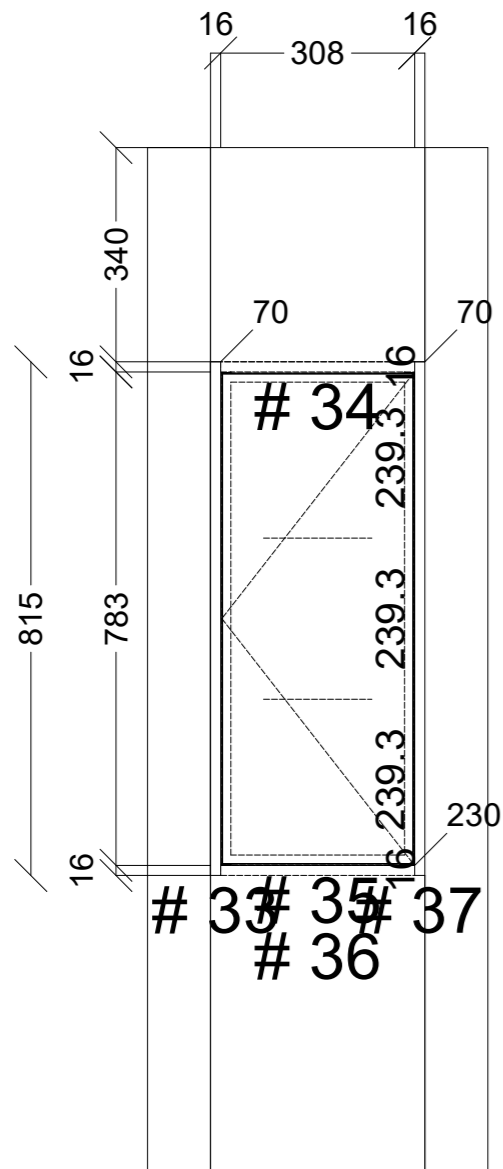
 CONNECT KITCHENS	Client: THE BUILDING AND CONSTRUCTION COMPANY		Door and panels style/colour: ALBEDOR VINYL WRAP GLOSS WHITE		Sheet 1 of 8
	Room: LAUNDRY		Benchtop Colour: 20MM LUMENA PORCELAIN HONED		Drawer slides: LEGRABOX
	Carcass: WHITE HMR		Date: 21/09/24		Address: 10 MILL ST ALBERT PARK
Handles Item No: 45' FINGER PULL		Approved by:			




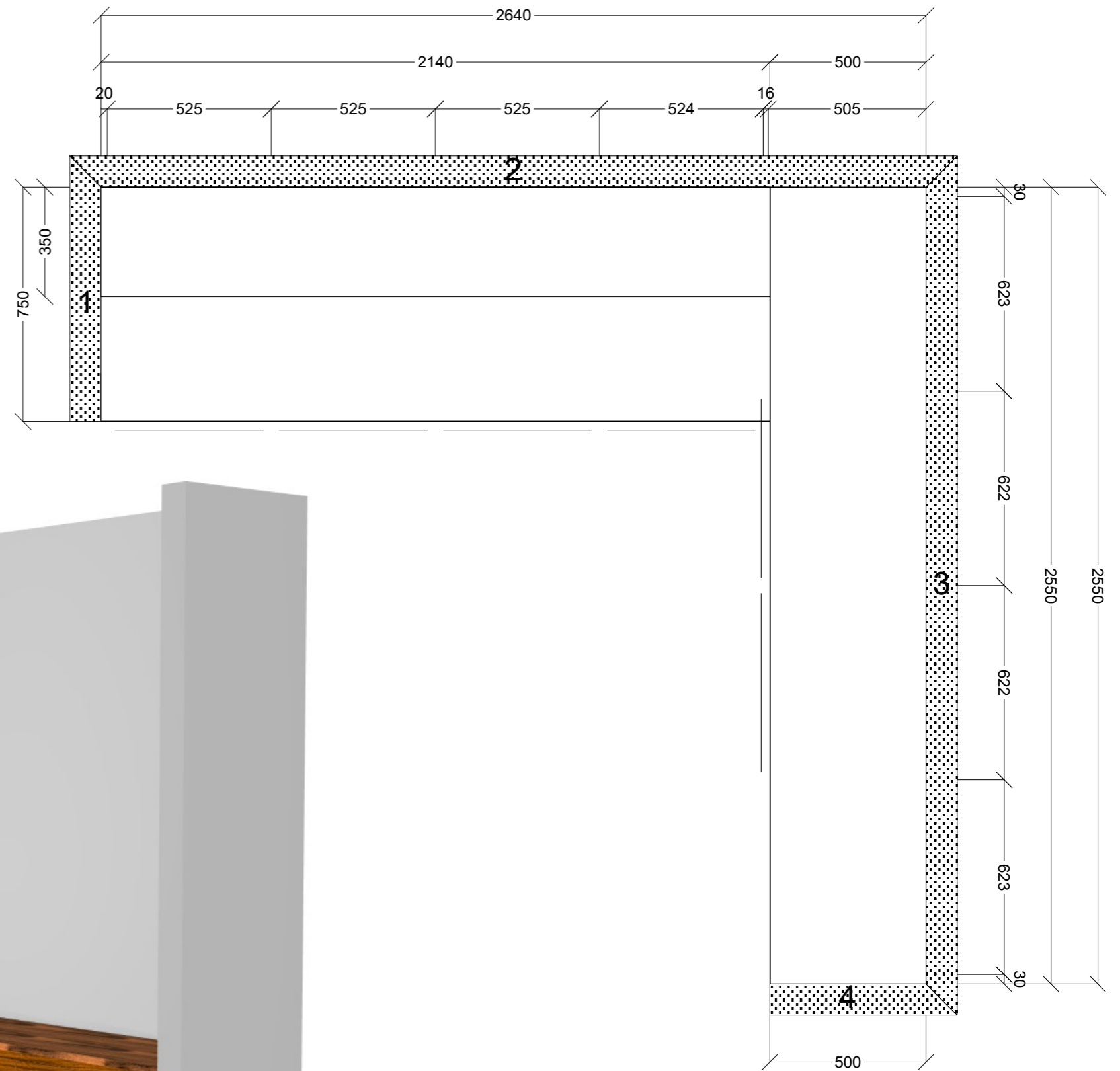
 CONNECT KITCHENS	Client: THE BUILDING AND CONSTRUCTION COMPANY		Door and panels style/colour: BOSTON OAK WOODMATT		Sheet 2 of 8
	Room: BATHROOM	Benchtop Colour: 100MM LUMENA PORCELAIN HONED	Drawer slides: LEGRABOX		Carcass: WHITE HMR
	Date: 21/09/24	Address: 10 MILL ST ALBERT PARK	Handles Item No: 45' FINGER PULL		Approved by:




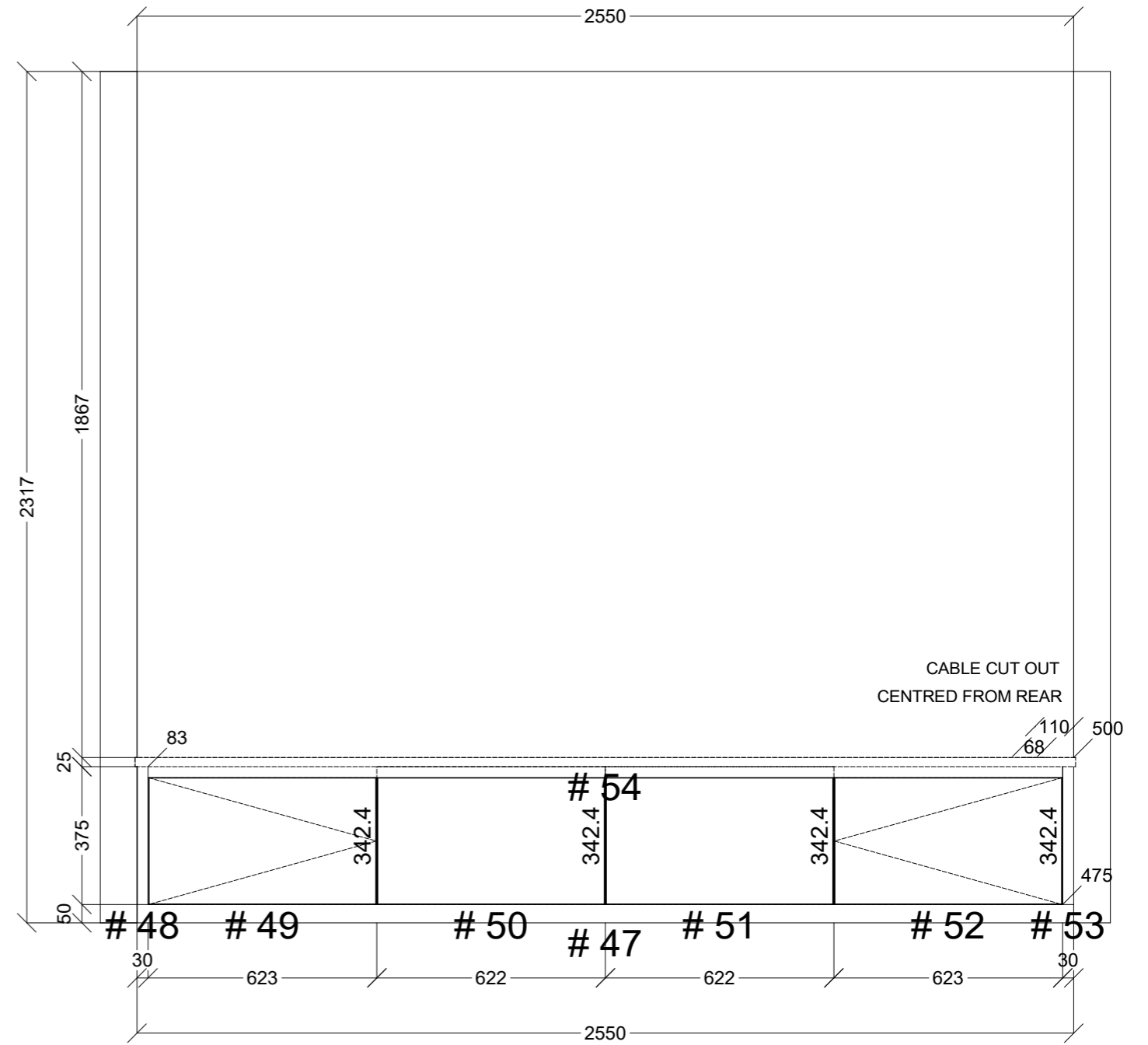
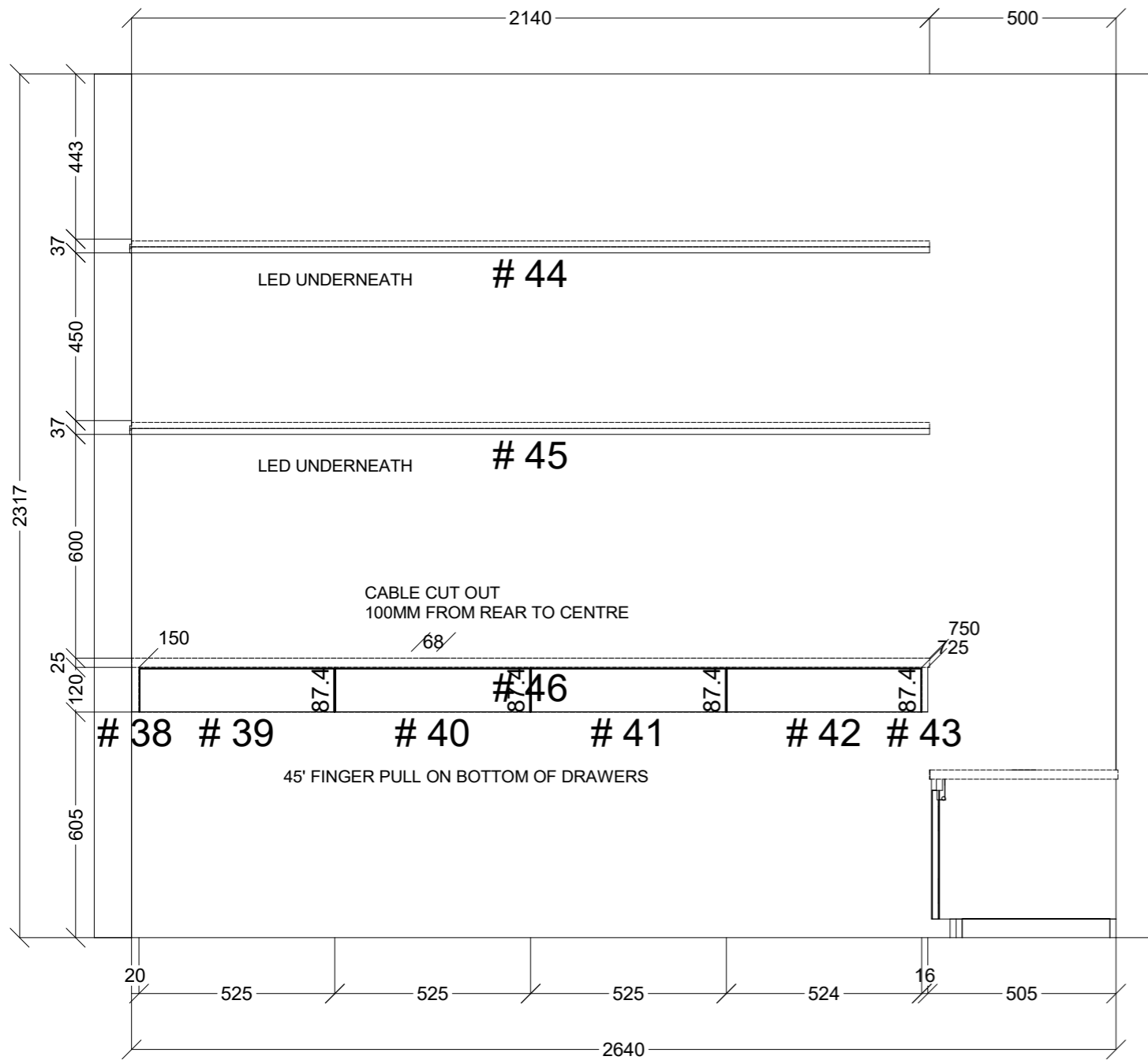
 CONNECT KITCHENS	Client: THE BUILDING AND CONSTRUCTION COMPANY		Door and panels style/colour: BOSTON OAK WOODMATT		Sheet 3 of 8
	Room: ENSUITE		Benchtop Colour: 100MM LUMENA PORCELAIN HONED		Drawer slides: LEGRABOX
	Date: 21/09/24		Address: 10 MILL ST ALBERT PARK		Handles Item No: 45' FINGER PULL




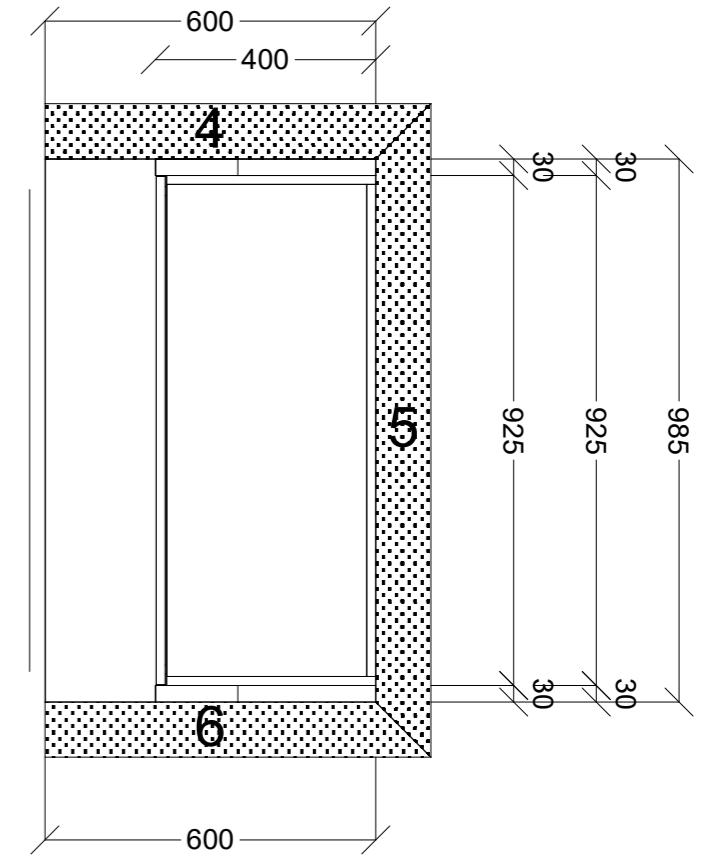
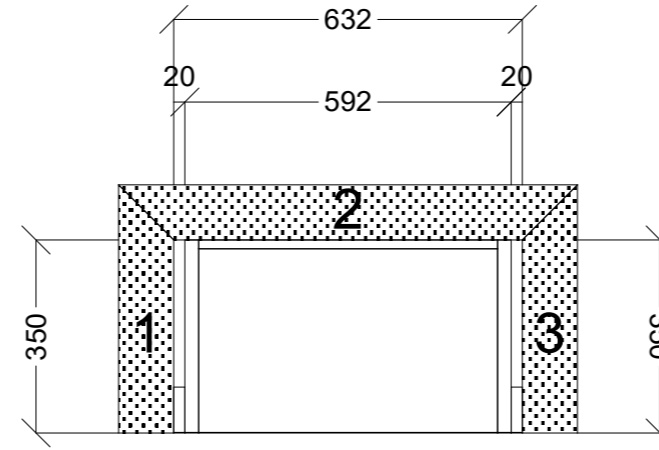
 CONNECT KITCHENS	Client: THE BUILDING AND CONSTRUCTION COMPANY		Door and panels style/colour: BOSTON OAK WOODMATT		Sheet 4 of 8
	Room: TOILET	Benchtop Colour: N/A		Drawer slides: N/A	Carcass: WHITE HMR
	Date: 21/09/24	Address: 10 MILL ST ALBERT PARK		Handles Item No: PUSH TO OPEN	Approved by:




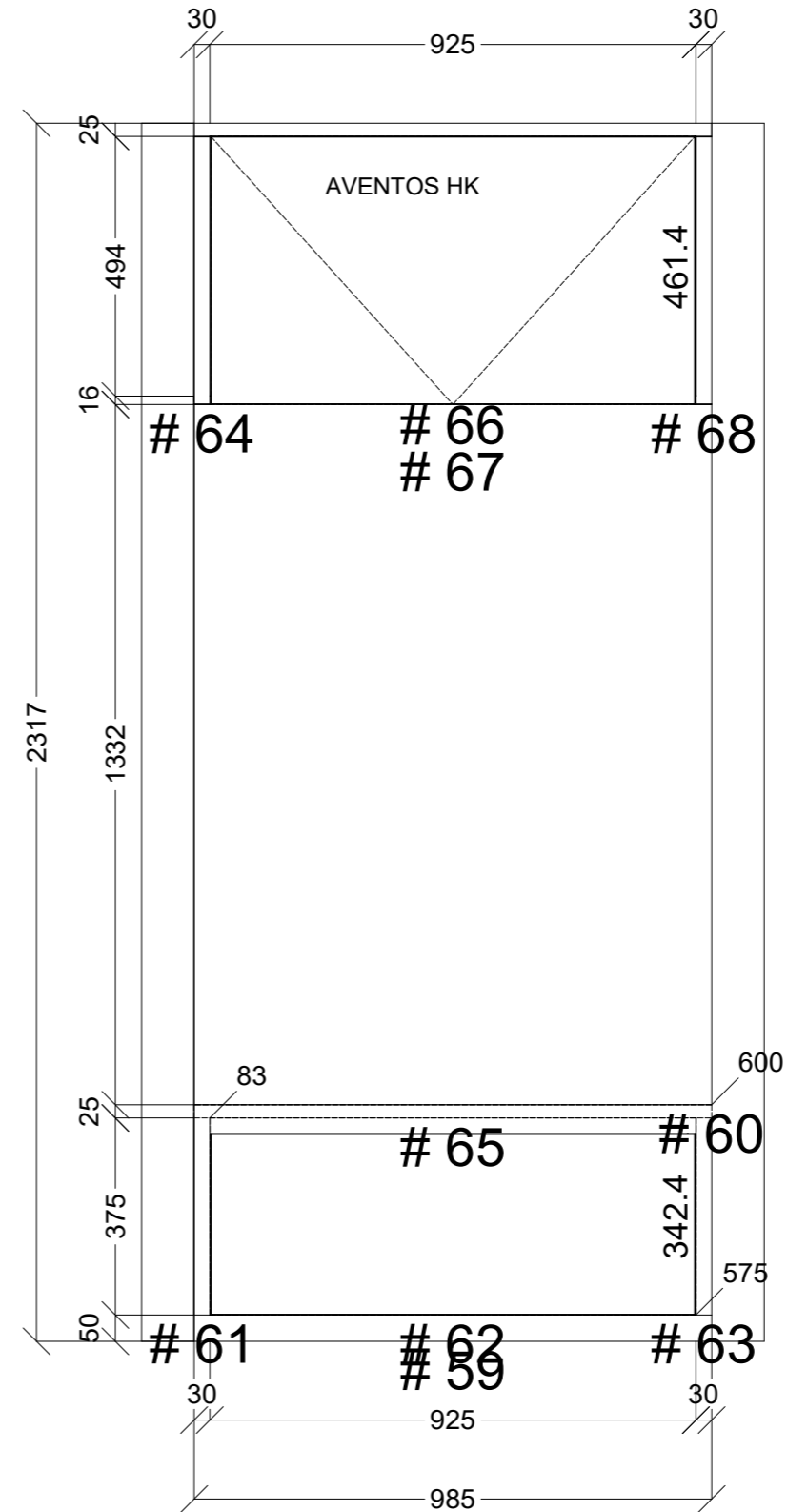
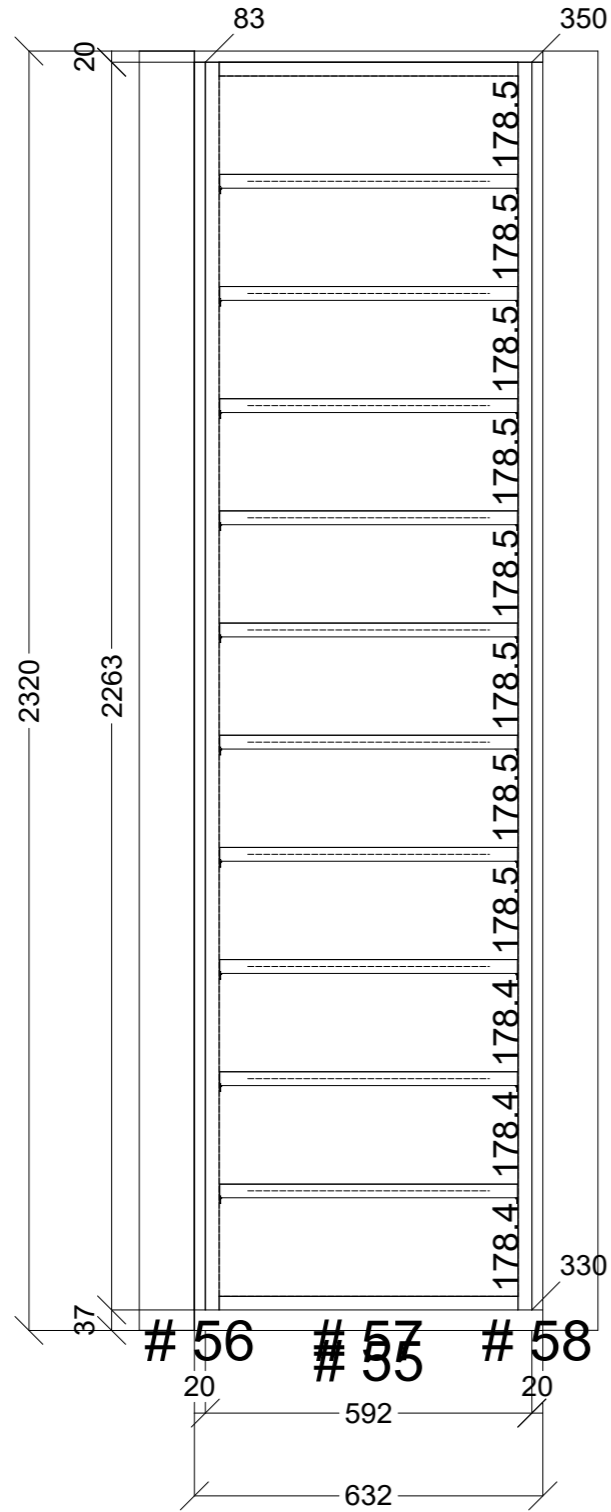
 CONNECT KITCHENS	Client: THE BUILDING AND CONSTRUCTION COMPANY		Door and panels style/colour: BOSTON OAK WOODMATT		Sheet 5 of 8
	Room: HOME OFFICE	Benchtop Colour: BOSTON OAK WOODMATT		Drawer slides: MOVENTO	Carcass: WHITE HMR
	Date: 21/09/24	Address: 10 MILL ST ALBERT PARK		Handles Item No: 45' FINGER PULL	Approved by:




 CONNECT KITCHENS	Client: THE BUILDING AND CONSTRUCTION COMPANY		Door and panels style/colour: BOSTON OAK WOODMATT		Sheet 6 of 8
	Room: HOME OFFICE		Benchtop Colour: BOSTON OAK WOODMATT		Carcass: WHITE HMR
	Date: 21/09/24	Address: 10 MILL ST ALBERT PARK		Handles Item No: 45' FINGER PULL	Approved by:



	Client: THE BUILDING AND CONSTRUCTION COMPANY		Door and panels style/colour: BOSTON OAK WOODMATT		Sheet 7 of 8
	Room: OFFICE ENTRY	Benchtop Colour: BOSTON OAK WOODMATT		Drawer slides: MOVENTO	Carcass: WHITE HMR
	Date: 21/09/24	Address: 10 MILL ST ALBERT PARK		Handles Item No: 45' FINGER PULL	Approved by:



	Client: THE BUILDING AND CONSTRUCTION COMPANY		Door and panels style/colour: BOSTON OAK WOODMATT		Sheet 8 of 8
	Room: OFFICE ENTRY	Benchtop Colour: BOSTON OAK WOODMATT		Drawer slides: MOVENTO	Carcass: WHITE HMR
	Date: 21/09/24	Address: 10 MILL ST ALBERT PARK		Handles Item No: 45' FINGER PULL	Approved by: