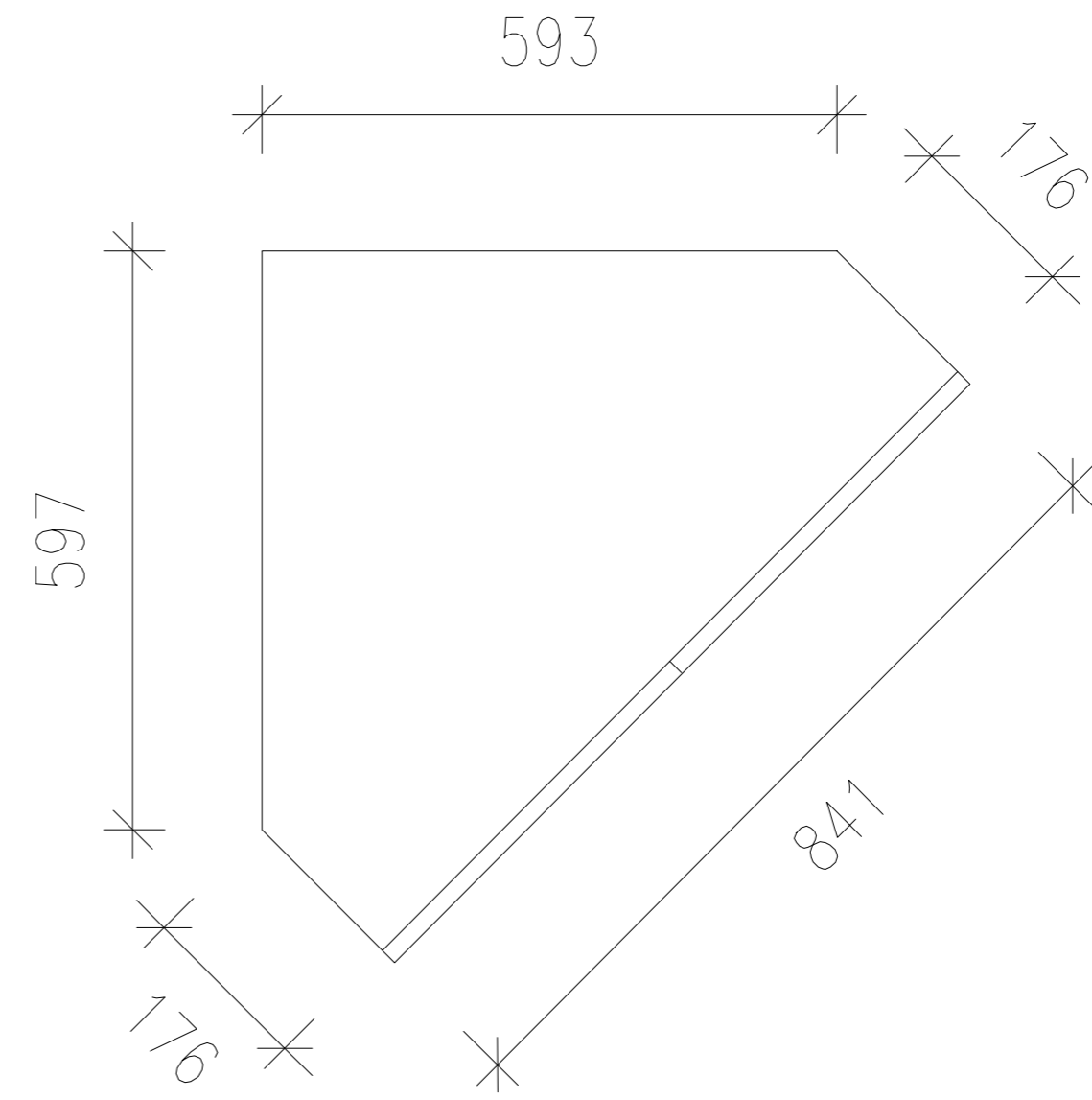
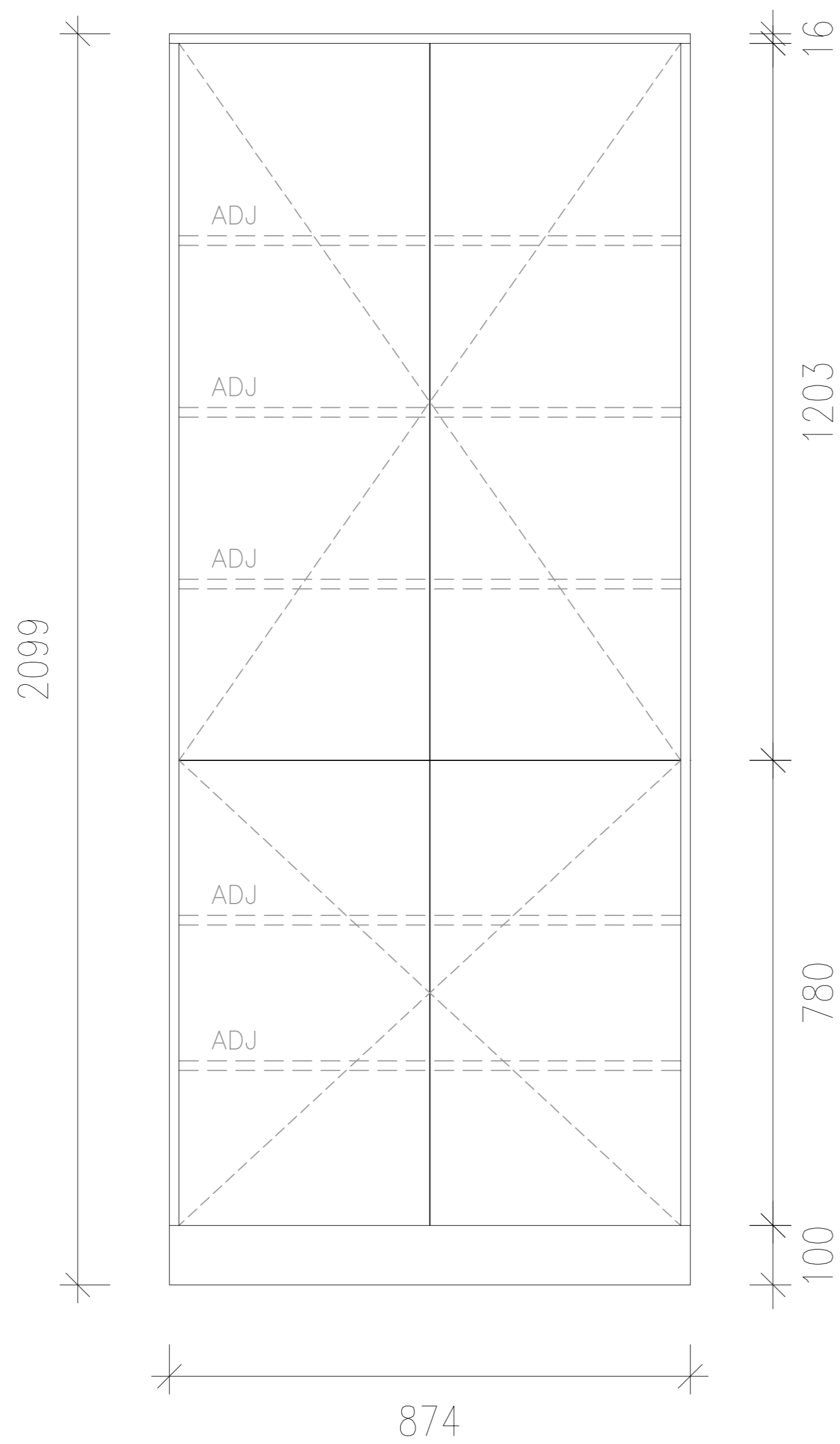


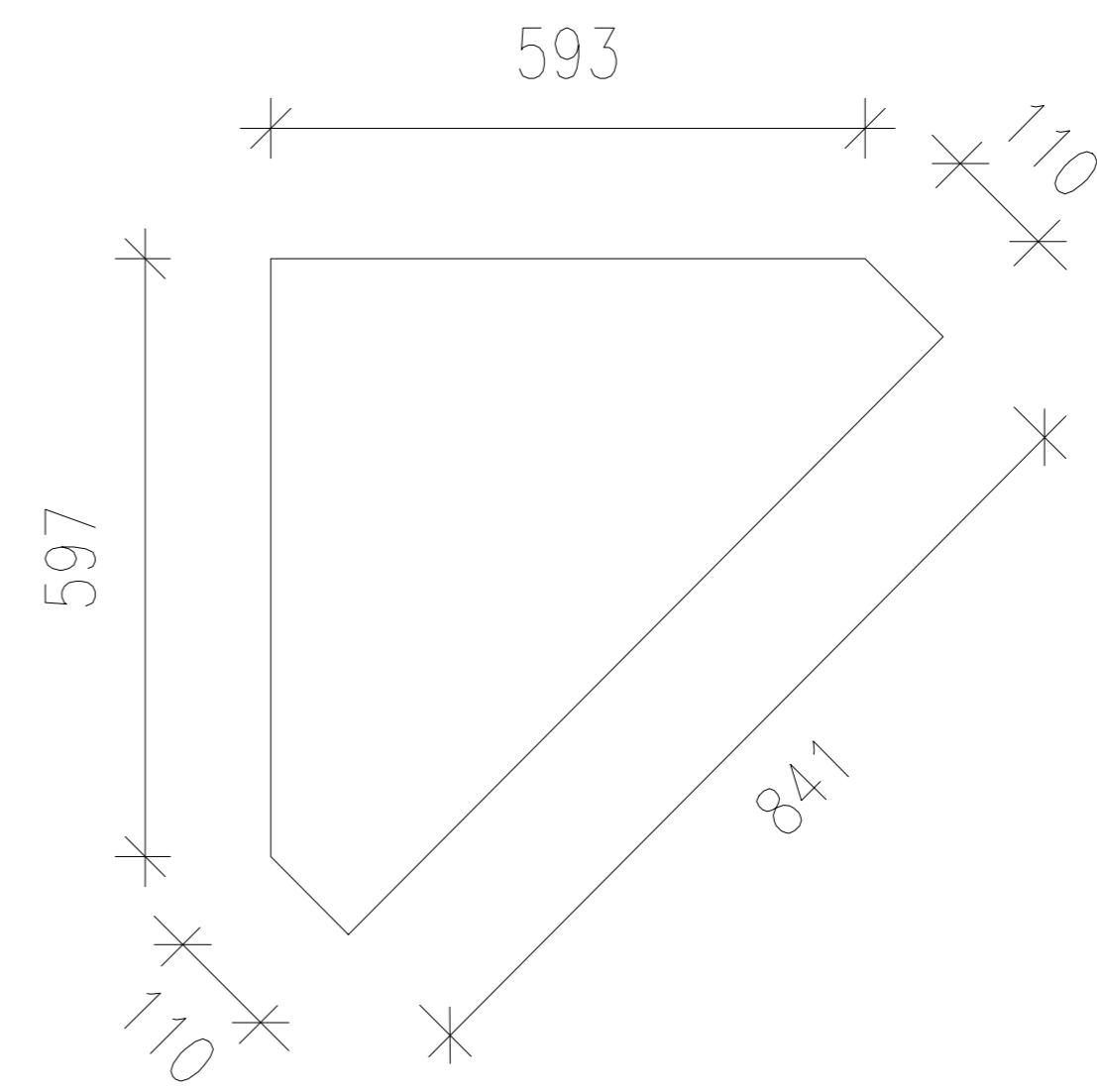
PLAN VIEW



CUPBOARD PLAN VIEW



ELEVATION



KICKER PLAN VIEW

FINISHES

- L1 16mm POLYTEC WHITE COTTON MATT
- H1 LIP PULLS

ROB SAUNDERS



PROJECT: 14 HEATHER GROVE
CHELTENHAM

Drawing Title : CORNER CUPBOARD
Date: 09/10/2024
Drawing No. A1
Revision : Rev 0
Drawn : AC

PLANS INSPECTED AND APPROVED FOR CONSTRUCTION

NAME _____

SIGNED _____

DATED / /