



AI MUDROOM OPTION 1
Scale: NTS

CLIENT NAME
RACHEL

CLIENT ADDRESS

PROJECT TITLE
MUDROOM
CABINETS

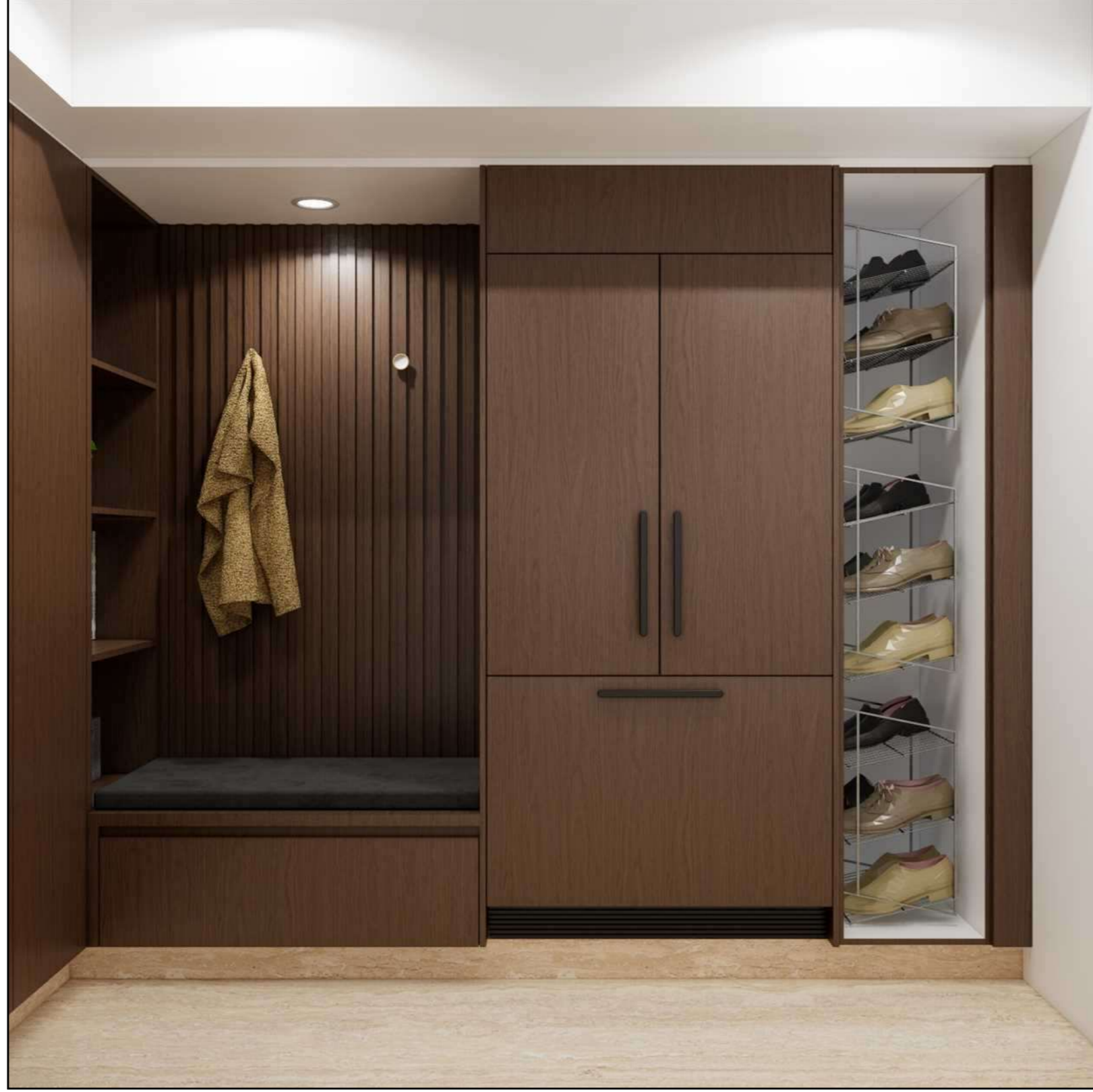
DESIGNED BY
SHAI ZEEV

ABN: 47 640 715 279
6b Larman St, Bentleigh East 3165
Mob: 0407004576
E-mail: sales@thecabinetmerchant.com.au

THE
CABINET
M E R C H A N T

au

1



AI MUDROOM OPTION 1
Scale: NTS

CLIENT NAME
RACHEL

CLIENT ADDRESS

PROJECT TITLE
MUDROOM
CABINETS

DESIGNED BY
SHAI ZEEV
ABN: 47 640 715 279
6b Larman St, Bentleigh East 3165
Mob: 0407004576
E-mail: sales@thecabinetmerchant.com.au

THE
CABINET
M E R C H A N T



AI MUDROOM OPTION 1
Scale: NTS

CLIENT NAME
RACHEL

CLIENT ADDRESS

PROJECT TITLE
MUDROOM
CABINETS

DESIGNED BY
SHAI ZEEV

ABN: 47 640 715 279
6b Larman St, Bentleigh East 3165
Mob: 0407004576
E-mail: sales@thecabinetmerchant.com.au



AI FLOATING SHELF PERSPECTIVE
Scale: NTS

CLIENT NAME
RACHEL

CLIENT ADDRESS

PROJECT TITLE
MUDROOM
CABINETS

DESIGNED BY
SHAI ZEEV

ABN: 47 640 715 279
6b Larman St, Bentleigh East 3165
Mob: 0407004576
E-mail: sales@thecabinetmerchant.com.au

THE
CABINET
M E R C H A N T

au

7



AI INTERNAL DRAWERS PERSPECTIVE
Scale: NTS

CLIENT NAME
RACHEL

CLIENT ADDRESS

PROJECT TITLE
MUDROOM
CABINETS

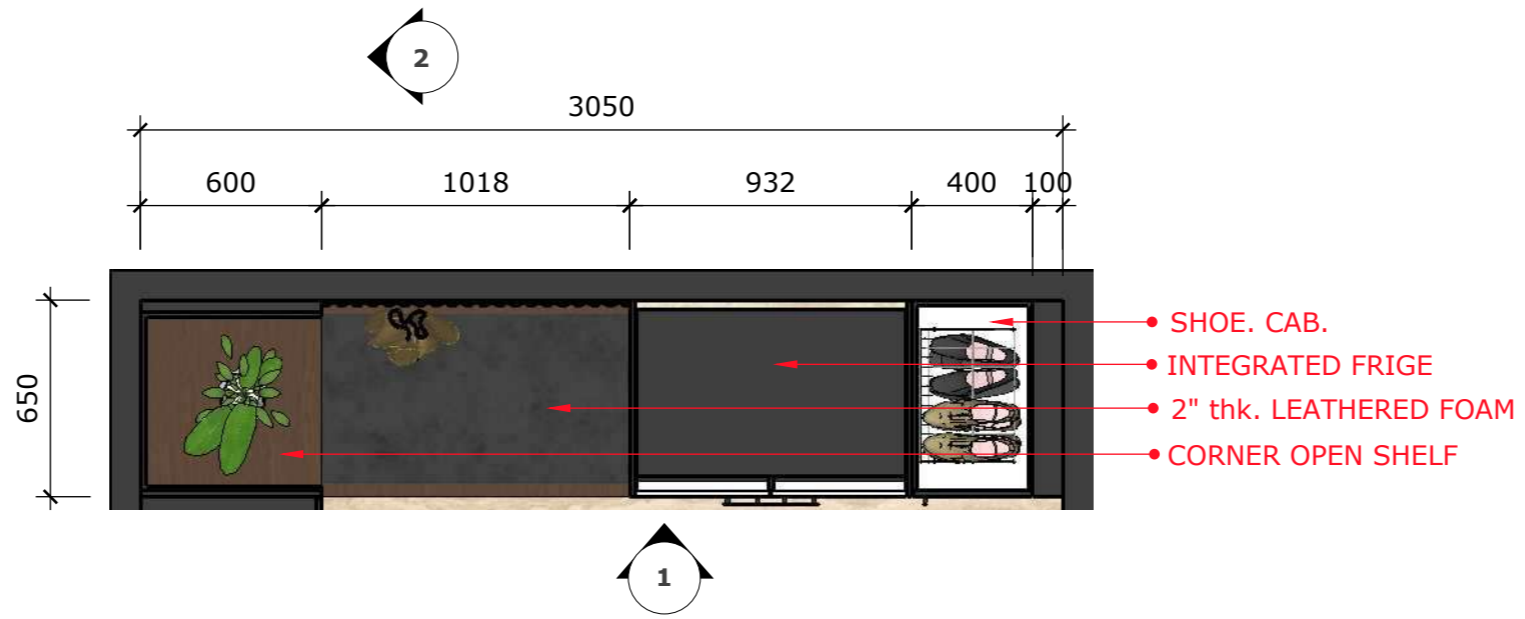
DESIGNED BY
SHAI ZEEV
ABN: 47 640 715 279
6b Larman St, Bentleigh East 3165
Mob: 0407004576
E-mail: sales@thecabinetmerchant.com.au

THE
CABINET
M E R C H A N T

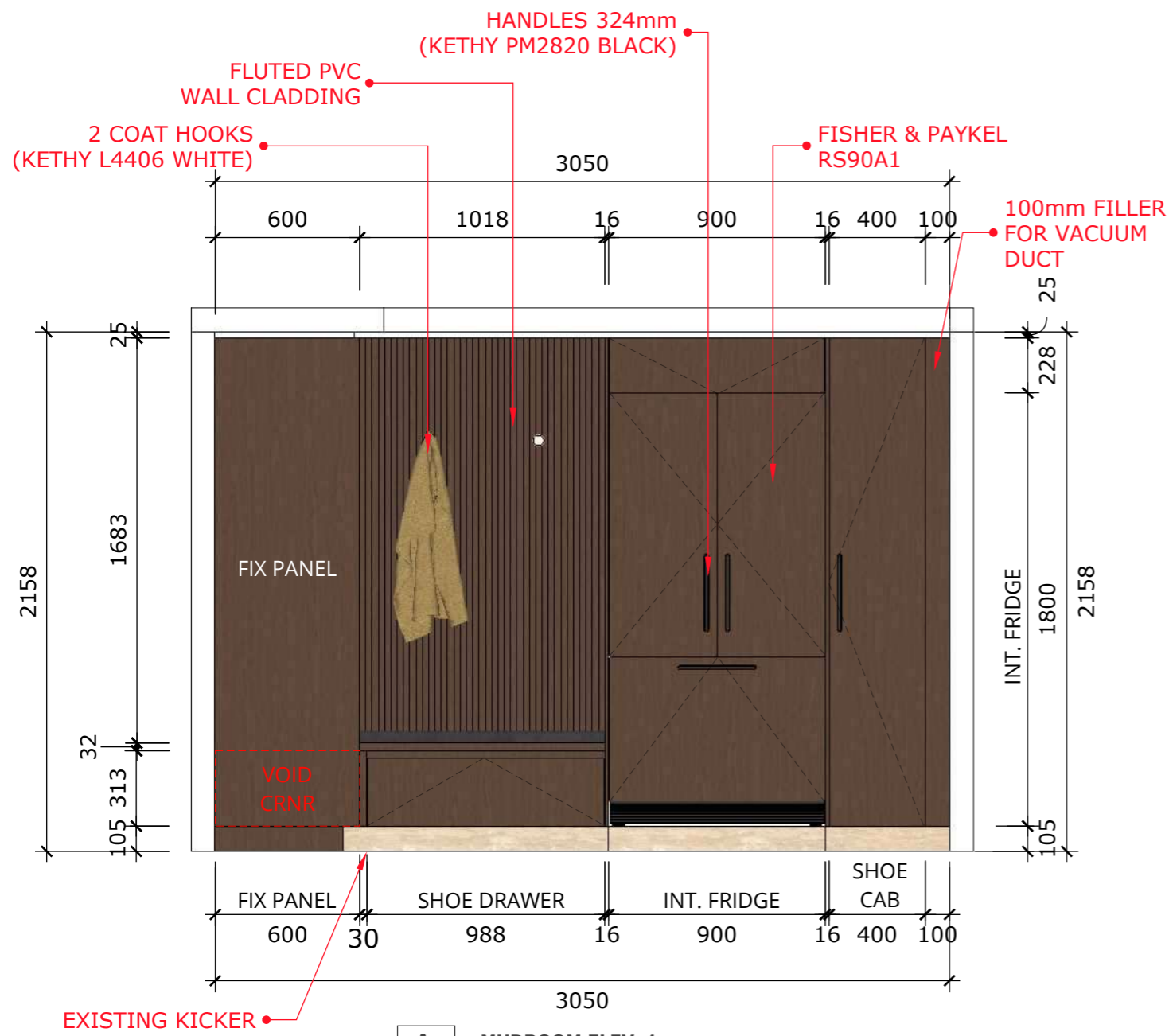


MUDROOM OPTION 1

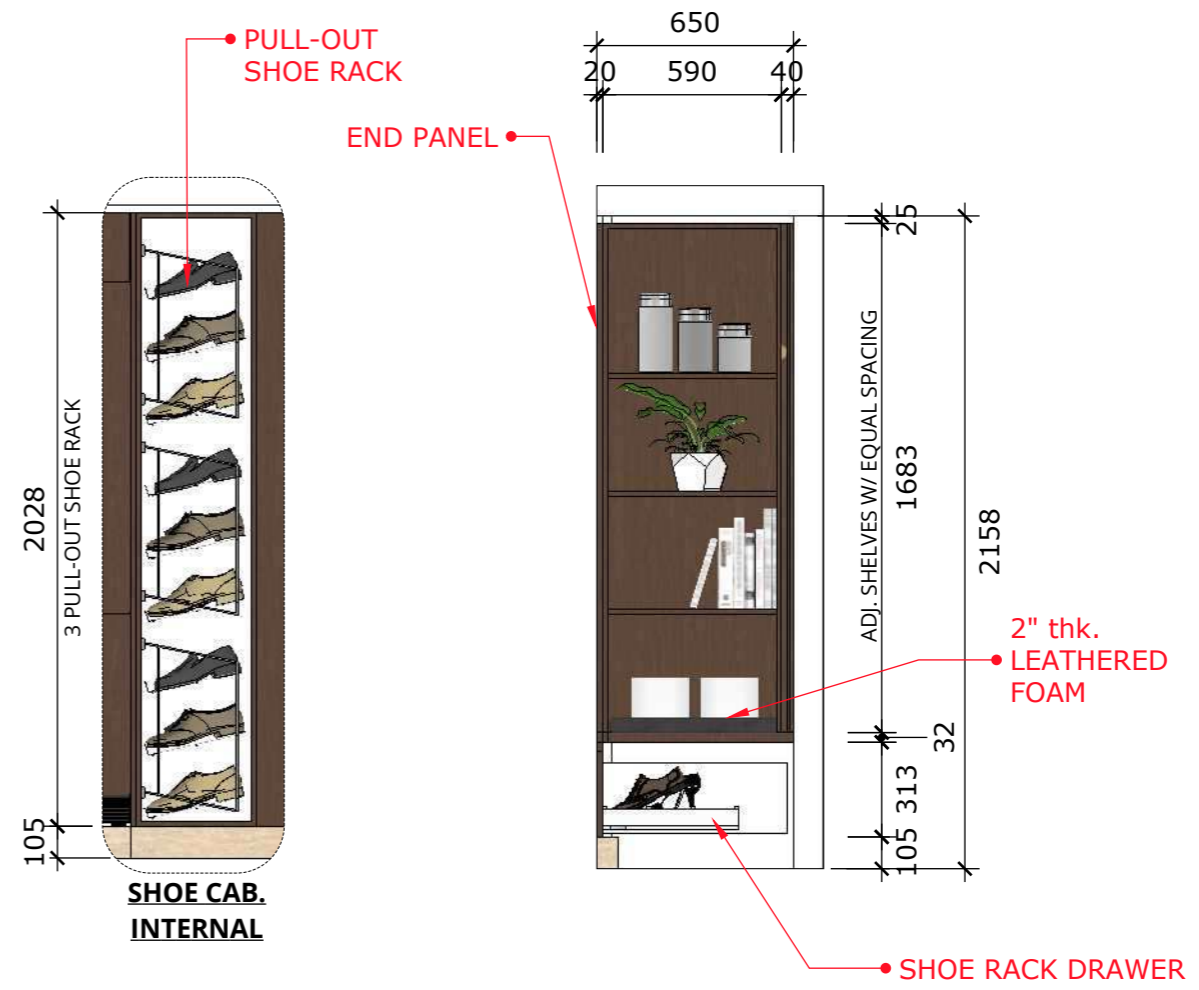
LAMINATE COLOUR: POLYTEC RUBRA OAK.



A :: MUDROOM PLAN
001 scale: 1=25mm



A :: MUDROOM ELEV. 1
002 scale: 1=25mm



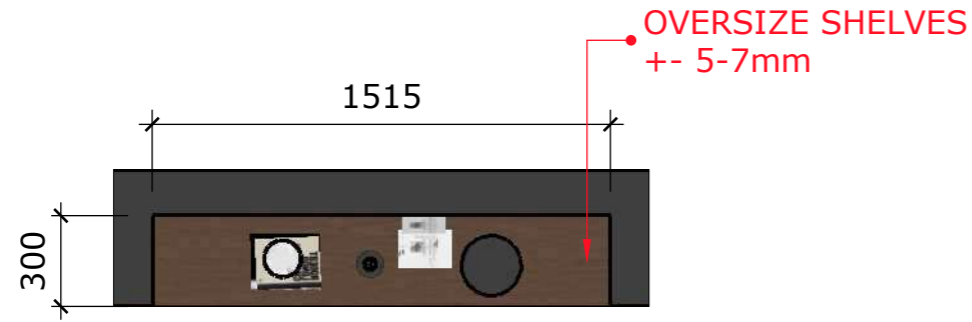
A :: MUDROOM ELEV. 2
003 scale: 1=25mm

DESIGNED BY
SHAI ZEEV
ABN: 47 640 715 279
6b Larman St, Bentleigh East 3165
Mob: 0407004576
E-mail: sales@thecabinetmerchant.com.au

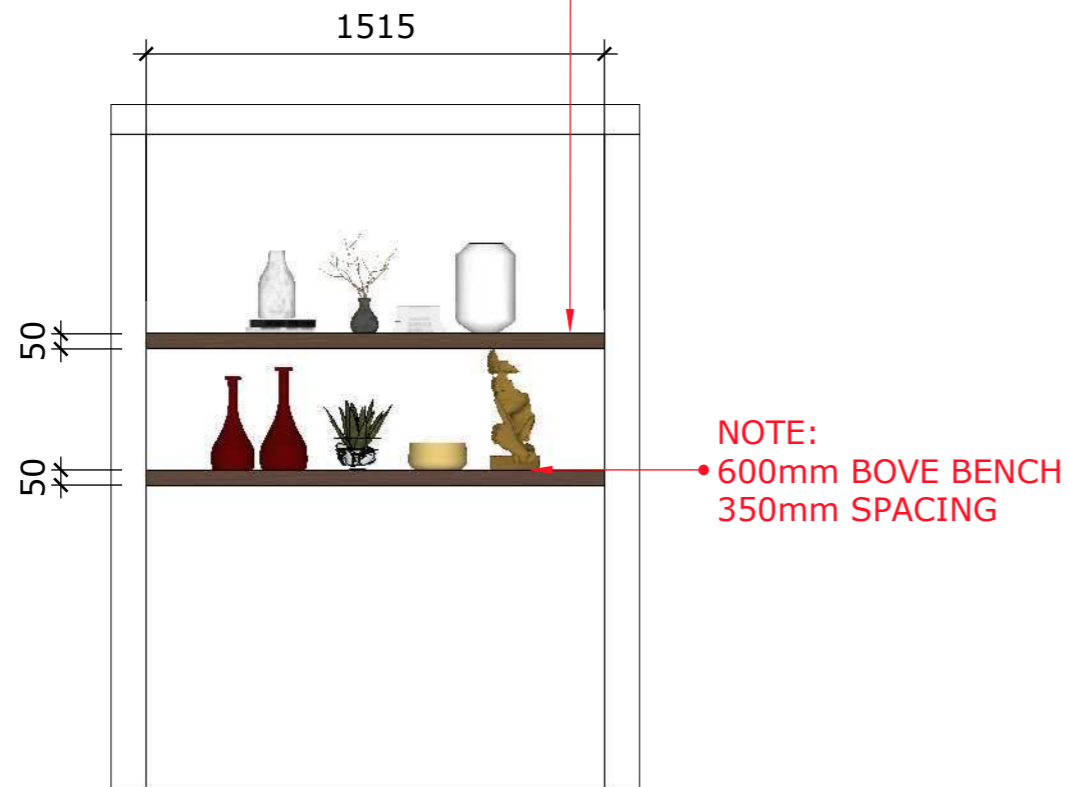
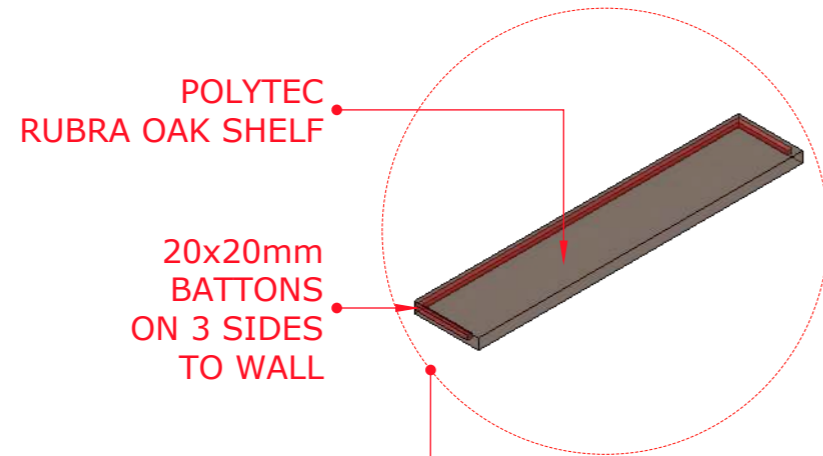
PROJECT TITLE
MUDROOM CABINETS

CLIENT ADDRESS

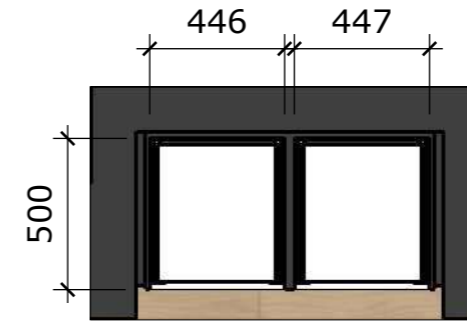
CLIENT NAME
RACHEL



A :: FLOATING SHELVES PLAN
001 scale: 1=25mm

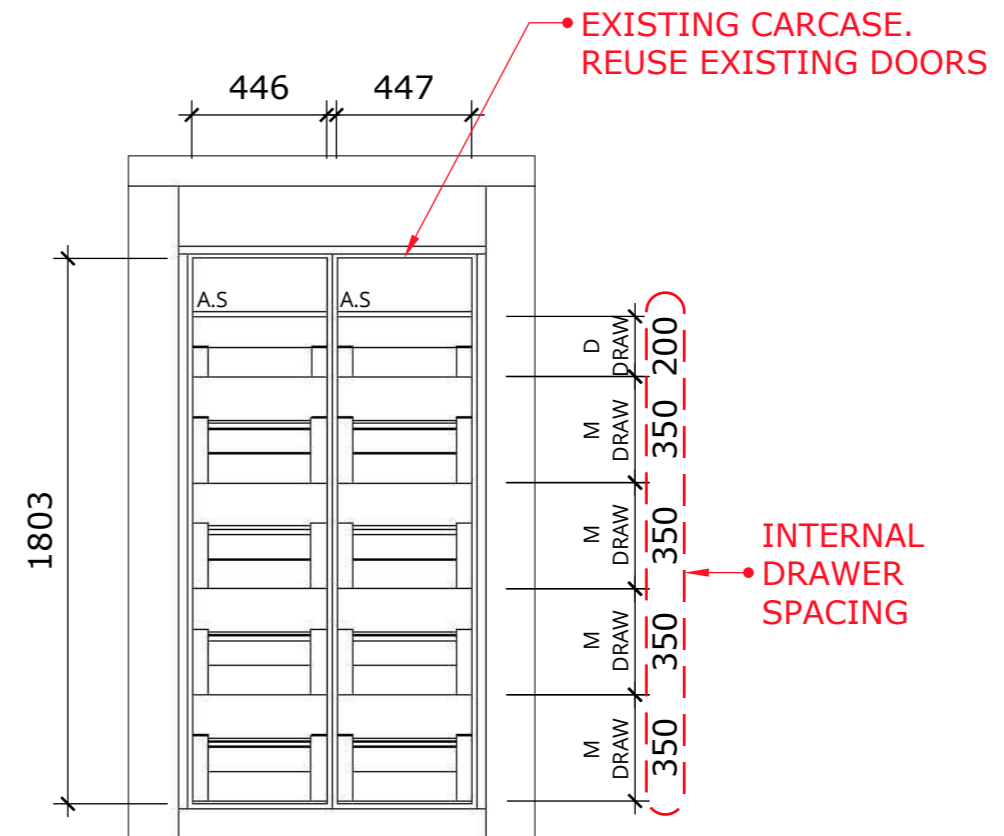


A :: FLOATING SHELVES FRONT ELEV.
002 scale: 1=25mm



NOTE: INTERNAL SIZES SHOWN.

A :: INTERNAL DRAW. PLAN
003 scale: 1=25mm



NOTE: INTERNAL SIZES SHOWN.

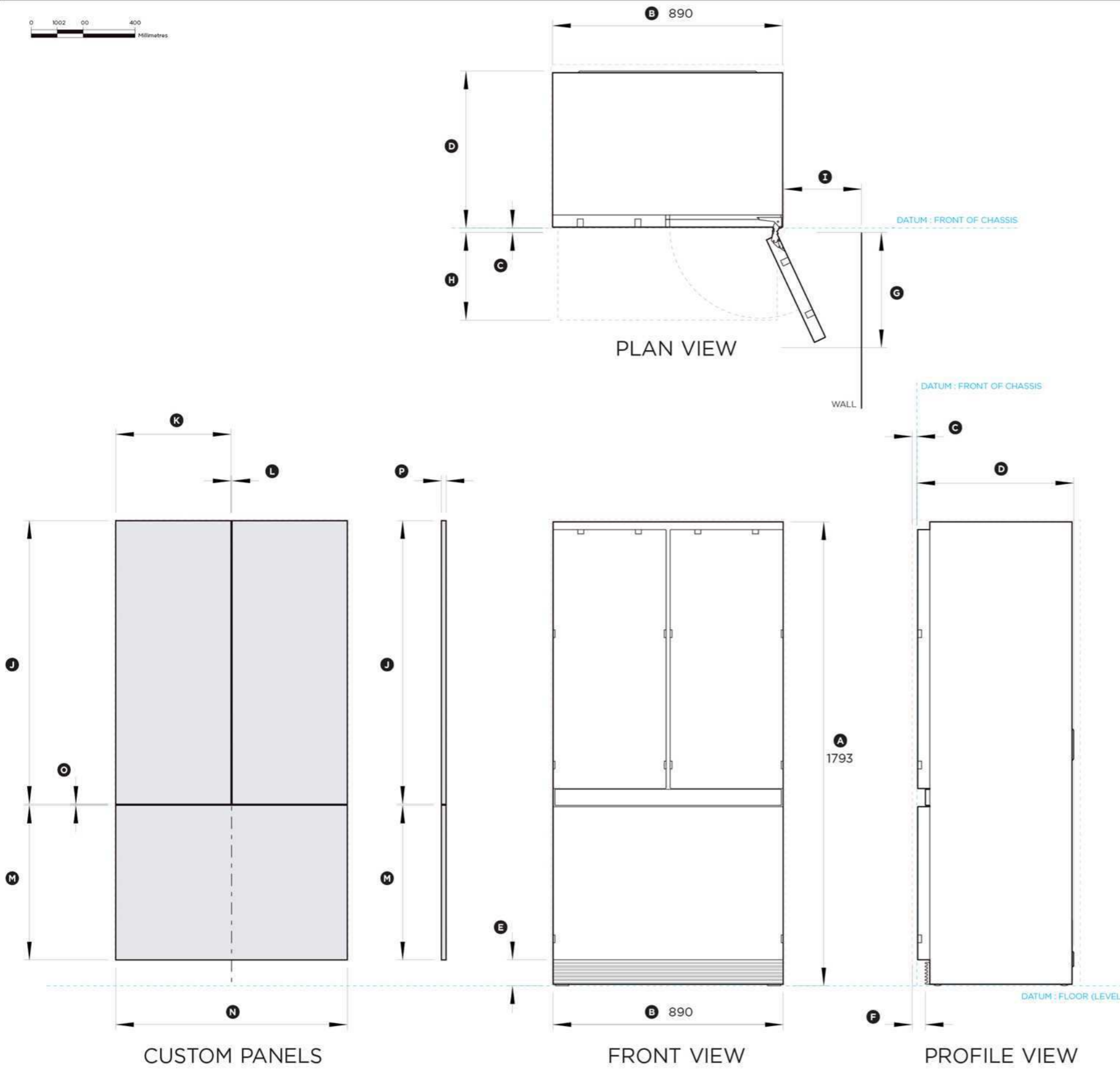
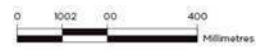
A :: INTERNAL DRAW. FRONT ELEV.
004 scale: 1=25mm

DESIGNED BY
SHAI ZEEV
ABN: 47 640 715 279
6b Larman St, Bentleigh East 3165
Mob: 0407004576
E-mail: sales@thecabinetmerchant.com.au

PROJECT TITLE
MUDROOM
CABINETS

CLIENT ADDRESS

CLIENT NAME
RACHEL



900mm ActiveSmart™ Slide-in Refrigerator

Model no:
RS90A1

Product Dimensions	mm
Ⓐ Overall height of fridge	1793
Ⓑ Overall width of fridge	890
Ⓒ Depth of fridge front panels (excl. handles)*	18
Ⓓ Overall depth of fridge (excl. front door panels)	606
Ⓔ Height from bottom datum to top of toekick	100
Ⓕ Depth of toekick measured from front of door panels*	50
Ⓖ Depth of door (widest opening) measured from front of cabinetry	445
Ⓗ Depth of drawer (open) measured from front of cabinetry*	338
Ⓙ Minimum door clearance** to adjacent wall (115° - full internal access)*	300

* Door panels to be manufactured and fitted by cabinetmaker, max thickness 18mm.

** Measured from front cabinetry edge, includes 2mm cabinetry gap.

Custom Panel Dimensions	mm
Ⓜ Height of top door panel	1096
Ⓚ Width of top door panel	446
Ⓛ Gap between top door panels	4
Ⓝ Height of bottom drawer panel	598
Ⓝ Width of bottom drawer panel	896
Ⓞ Gap between top door panels and bottom drawer panel	4
Ⓟ Maximum depth of custom panels	18
Maximum weight of an individual top door panel	10kg
Maximum weight of bottom drawer panel	9.5kg

Minimum Clearances	mm
Minimum cabinetry gap clearance from edge of custom panels	4
Overall height of cavity	1800
Overall width of cavity	
when adjoining cabinetry can share 4mm door gap	900
when adjoining cabinetry cannot share 4mm door gap	904
Overall depth of cavity	650

INDICATES PRODUCT DATUM -----

INDICATES MINIMUM CABINETRY CLEARANCES - - - - -

DATE: 10.06.2015

IMPORTANT NOTE: Throughout this guide, dimensions may vary by ±2mm (3/32"). Please read the installation manual for detailed information on installing the product. www.fisherpaykel.com

Fisher & Paykel

DESIGNED BY
SHAI ZEEV

ABN: 47 640 715 279
6b Larman St, Bentleigh East 3165
Mob: 0407004576
E-mail: sales@thecabinetmerchant.com.au

PROJECT TITLE
MUDROOM CABINETS

CLIENT ADDRESS

CLIENT NAME
RACHEL

THE **CABINET** MERCHANT