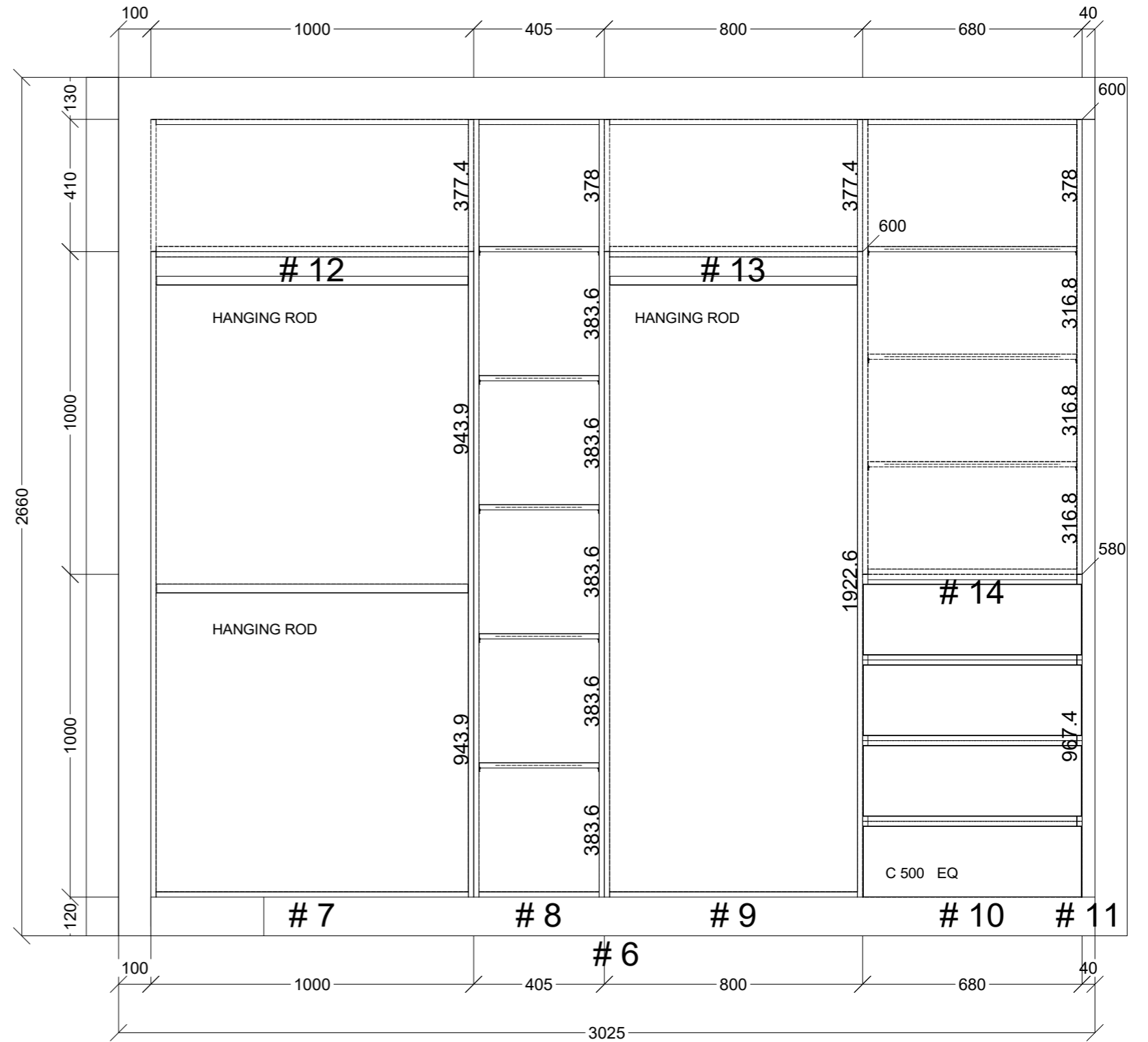
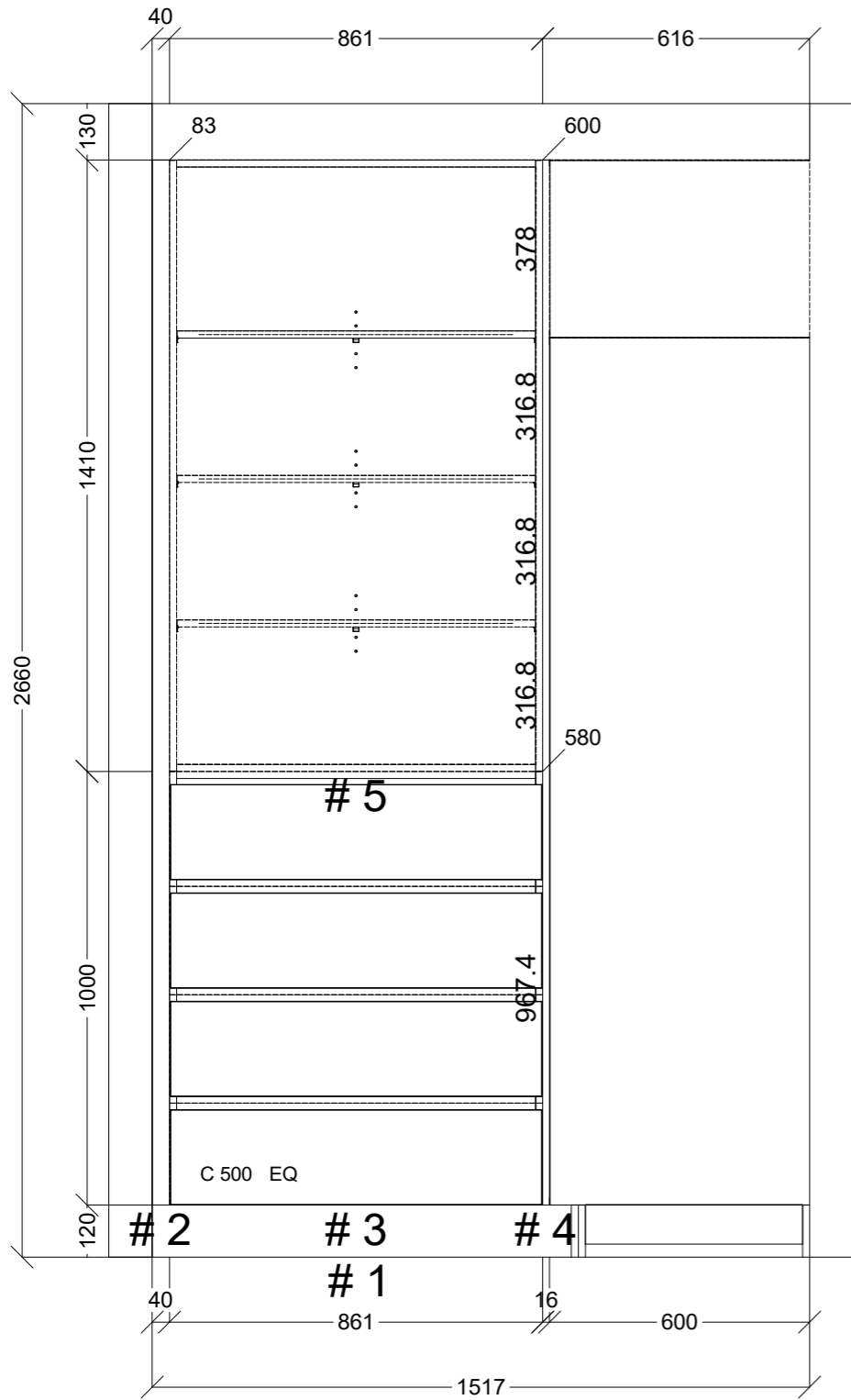

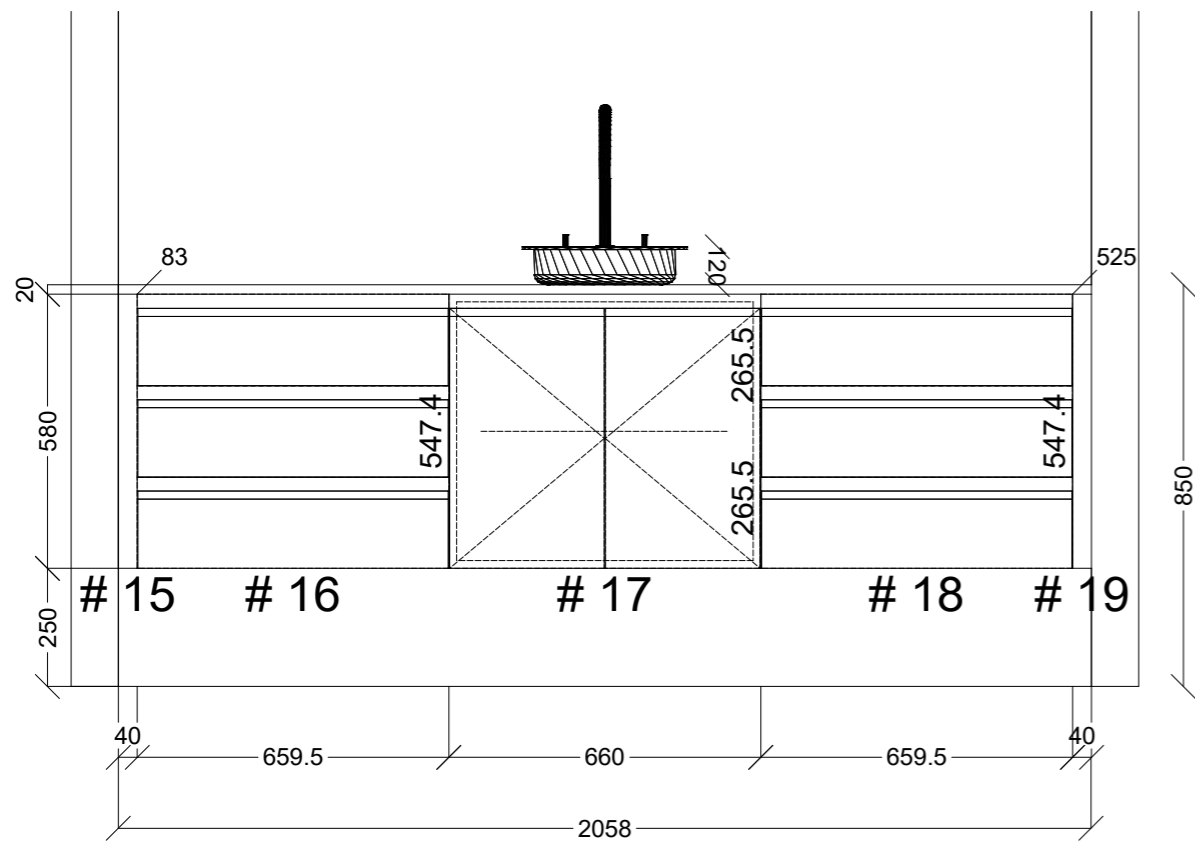
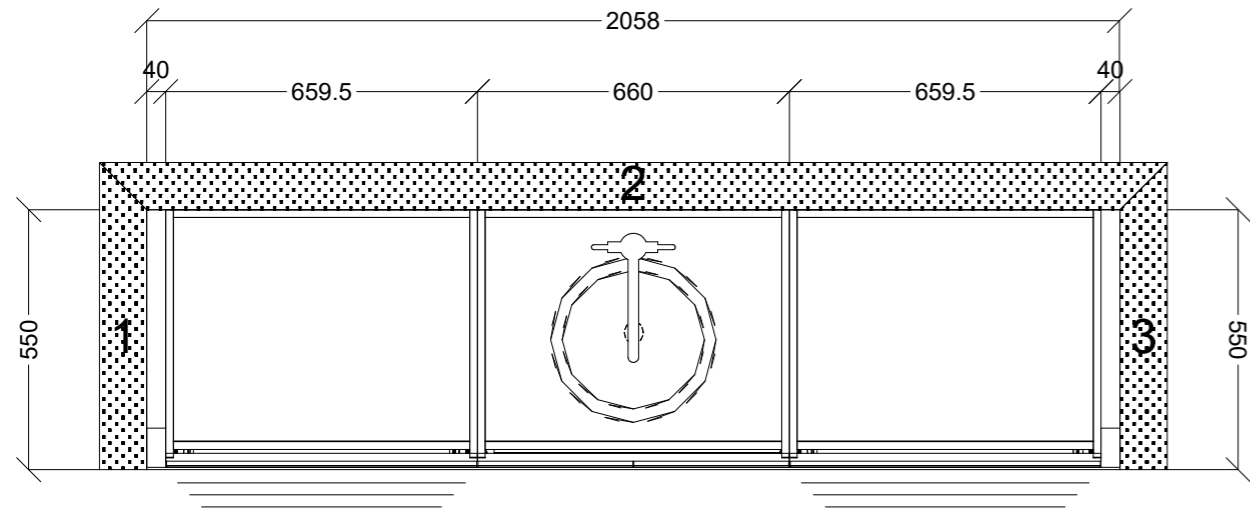

	Client: KLASS PROJECTS		Door and panels style/colour: WHITE HMR		Sheet 1 of 3
	Room: WIR	Benchtop Colour: N/A		Drawer slides: BLUM ANTARO	Carcass: WHITE HMR
	Date: 23/10/24	Address: 2 MONT PELIER		Handles Item No: FINGER PULL	Approved by:



	Client: KLASS PROJECTS		Door and panels style/colour: WHITE HMR		Sheet 2 of 3
	Room: WIR	Benchtop Colour: N/A		Drawer slides: BLUM ANTARO	Carcass: WHITE HMR
	Date: 23/10/24	Address: 2 MONT PELIER		Handles Item No: FINGER PULL	Approved by:



 CONNECT KITCHENS	Client: KLASS PROJECTS		Door and panels style/colour: 2PAC VIVID WHITE SATIN		Sheet 3 of 3
	Room: VANITY		Benchtop Colour: 20MM CAESARSTONE 5151 EMPIRA WHITE		Drawer slides: BLUM ANTARO
	Date: 23/10/24		Address: 2 MONT PELIER		Handles Item No: 45' FINGER PULL
Approved by:					