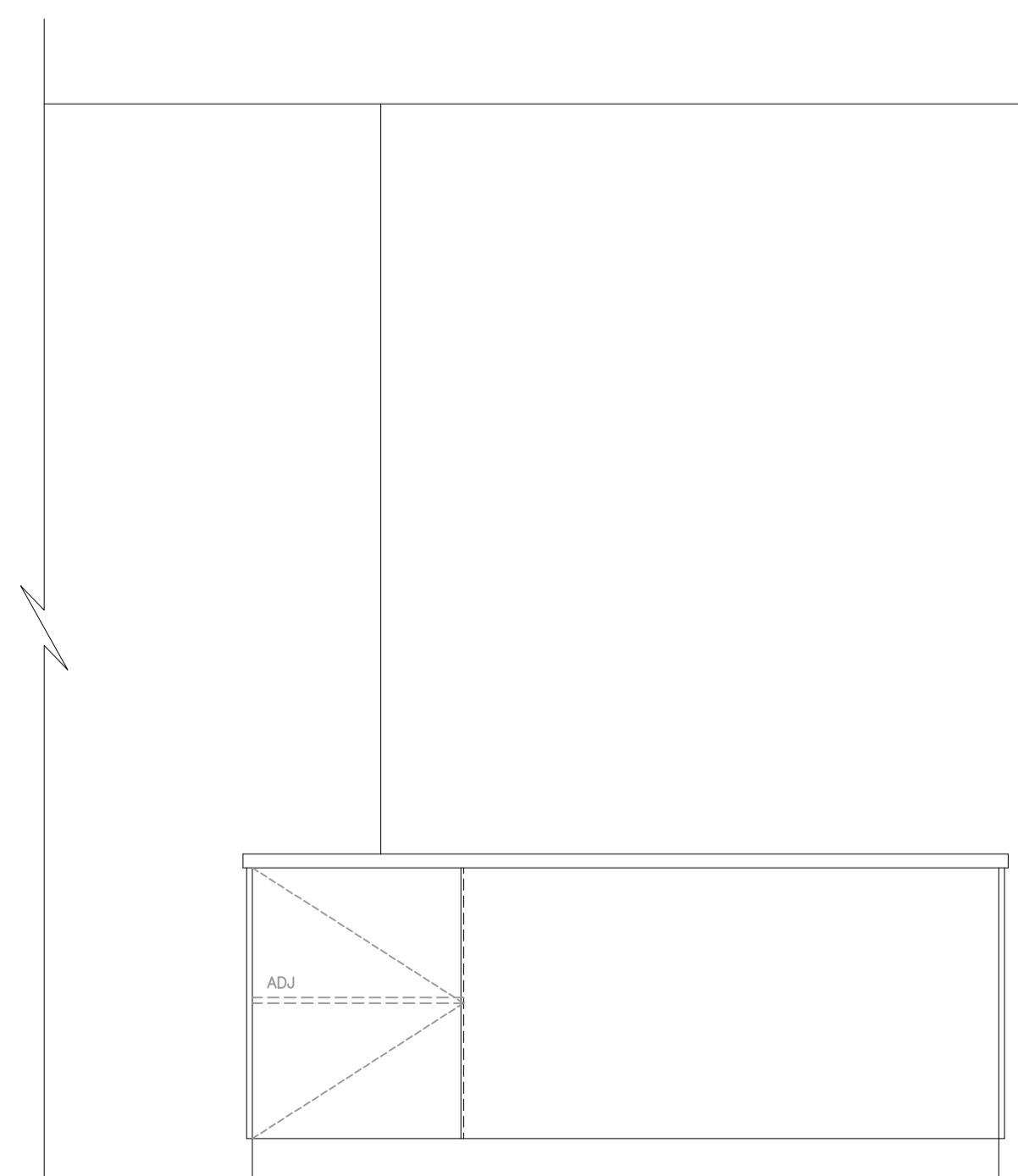
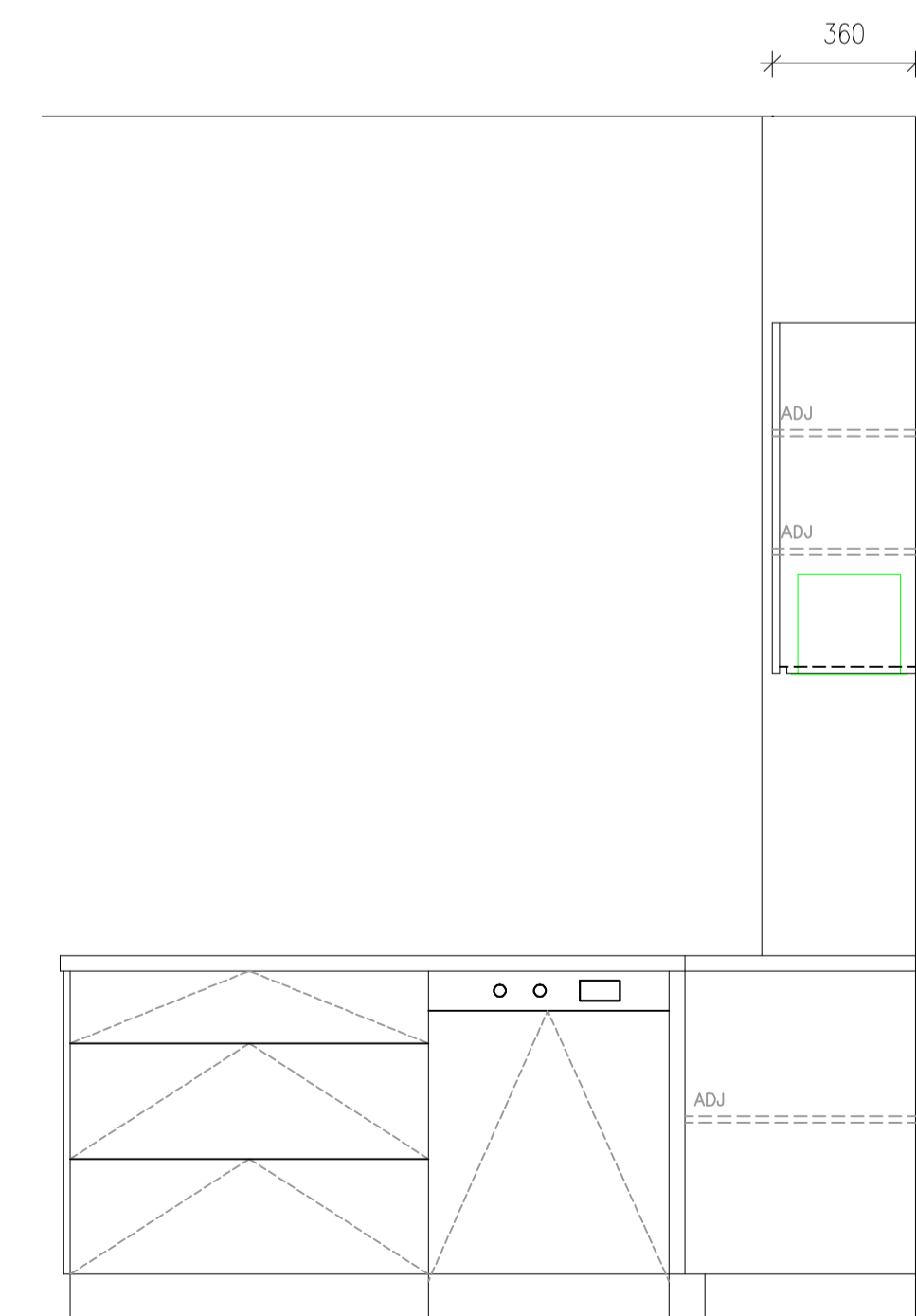


**ELEVATION A**

**ELEVATION B**

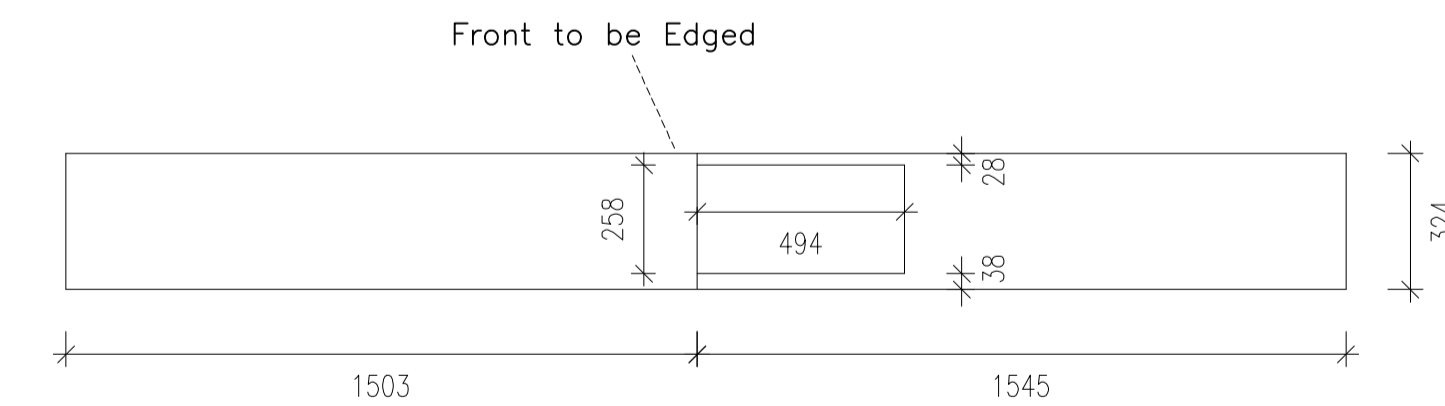
## FINISHES

- L1 38mm TIGHT FORM LAMINATED BENCHTOP FINISHED IN POLYTEC TASMANIAN OAK.
- L2 16mm POLYTEC HUSK COLOUR BOARD WITH 1mm MATCHING ABS EDGING



**ELEVATION C**

**ELEVATION D**



OVERHEAD UNDER PANEL WITH RANGEHOOD CUT OUT

**JO'S MAKEOVERS**



PROJECT: 512 HAWTHORN RD CAULFIELD SOUTH

Drawing Title : KITCHEN  
 Date: 22/11/2024  
 Drawing No. A1  
 Revision : C  
 Drawn: AC

PLANS INSPECTED AND APPROVED FOR CONSTRUCTION

NAME \_\_\_\_\_

SIGNED \_\_\_\_\_

DATED / /