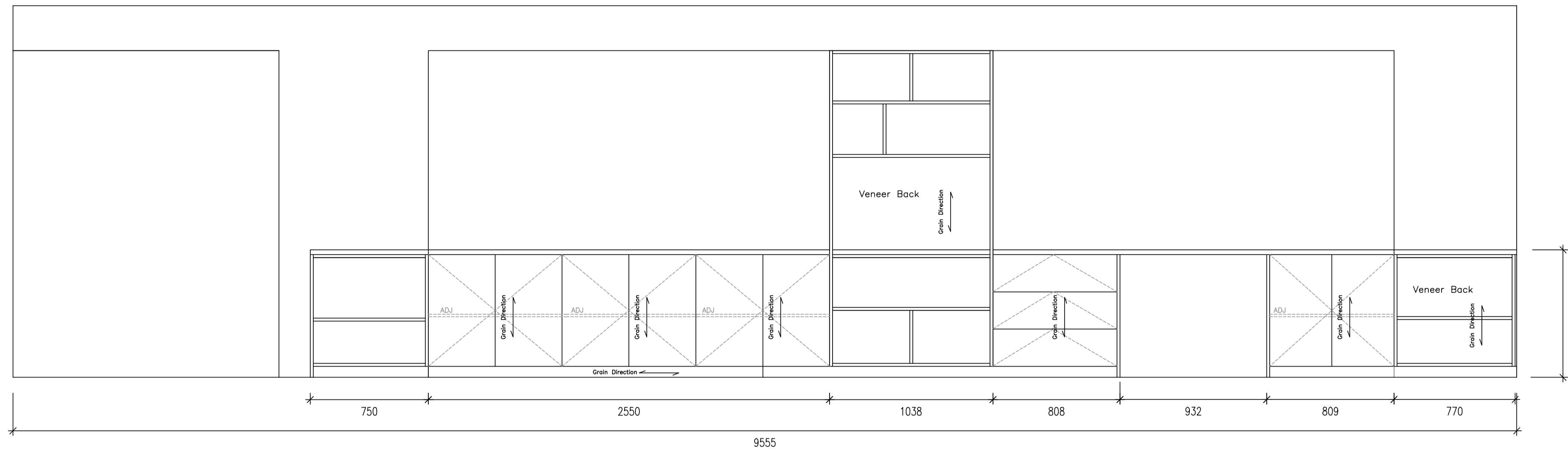
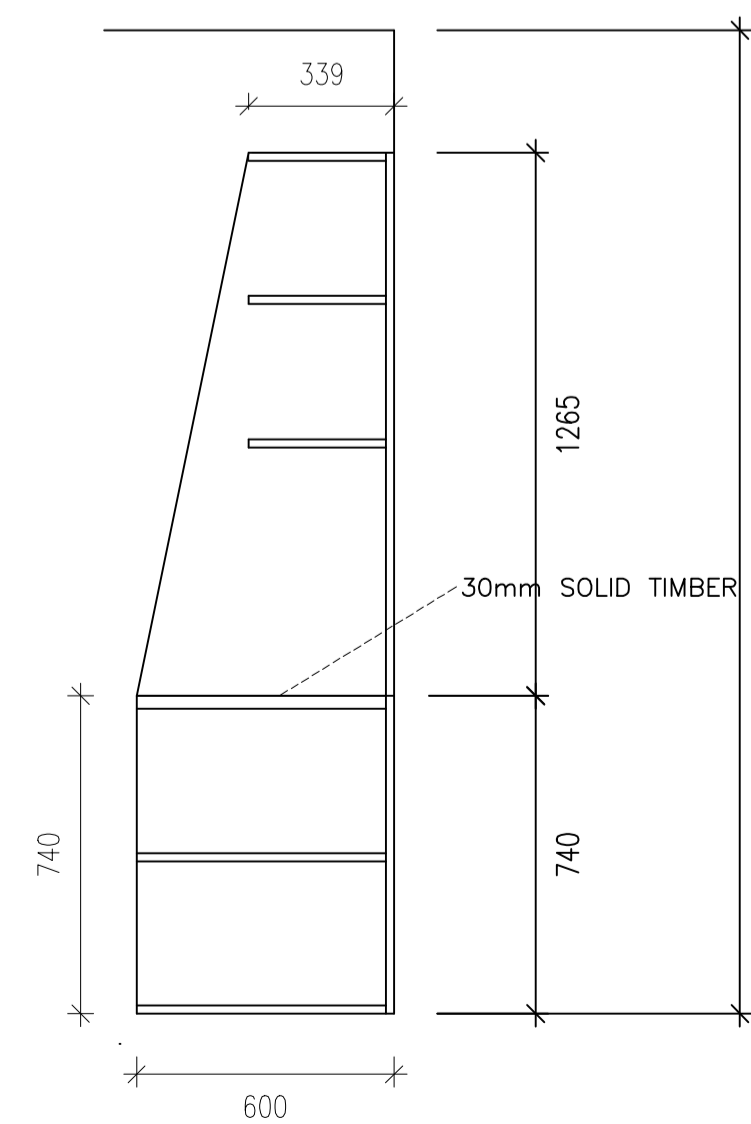


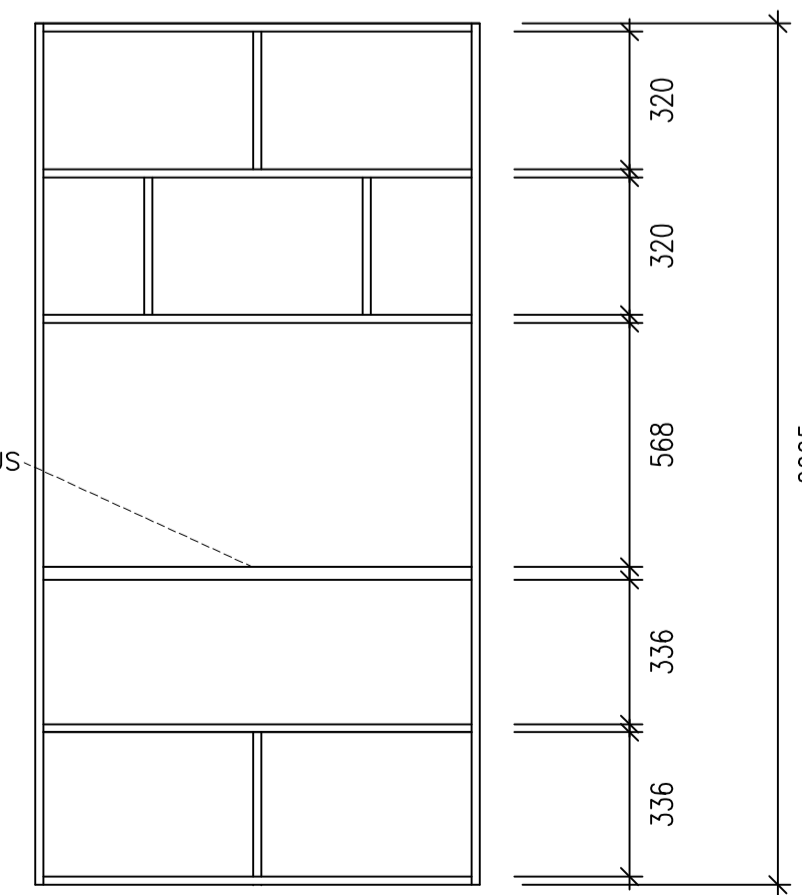
PLAN VIEW



ELEVATION



ELEVATION



ELEVATION

TIM & FELICITY

PROJECT: 30 BERKELEY ST
CASTLEMAINE

Drawing Title : WALL UNIT

Date: 29/09/2024

Drawing No. A1

Revision : A

Drawn: MC

PLANS INSPECTED AND APPROVED FOR CONSTRUCTION

NAME _____

SIGNED _____

DATED / /