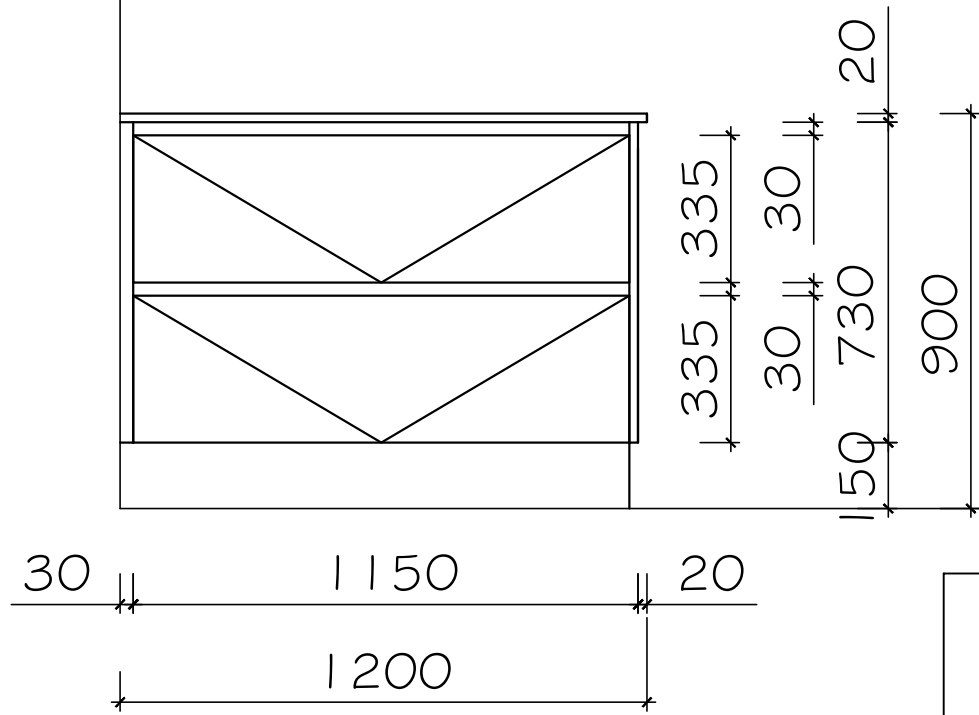


ISSUE	REVISION DESCRIPTION	DATE
A	PLANNING	06/01/25

FLOW
 Solid Surface Vanity Top, w/
 Integrated and Overflow
 Basin Matte White 1200mm



NOTE:
 VANITY CABINETRY TO
 BE - POLYTEC EUROPEAN
 WALNUT MATT FINISH.

Important Notes:
 These drawings must not be scaled.
 Figured dimensions take precedence.
 It is the builders and all sub-contractors responsibility to verify all dimensions, levels and existing conditions on site prior to commencement of any works and ordering of materials.
 Any discrepancies are to be reported to this office immediately.
 These drawings shall not be altered in any form without written permission.

Project:
 Proposed Cabinetry

Project:
 8 Illawarra Crescent
 Dandenong South

Drawing:
 Planning Design

Drawn:
 Ardon Fitzgibbon

Checked:
 Ardon Fitzgibbon

Scale: As Shown Date: 06/01/25 Rev: A

Sheet: 6 of 7

Job Number:

BATHROOM

24 564