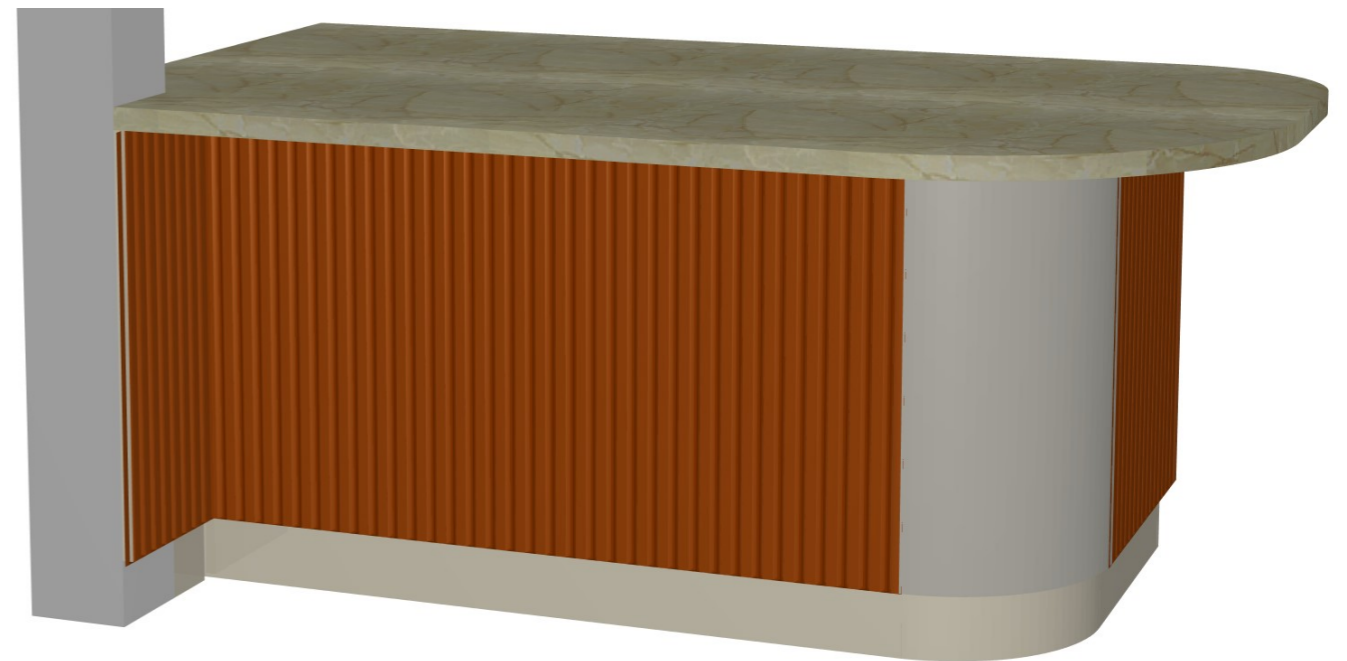
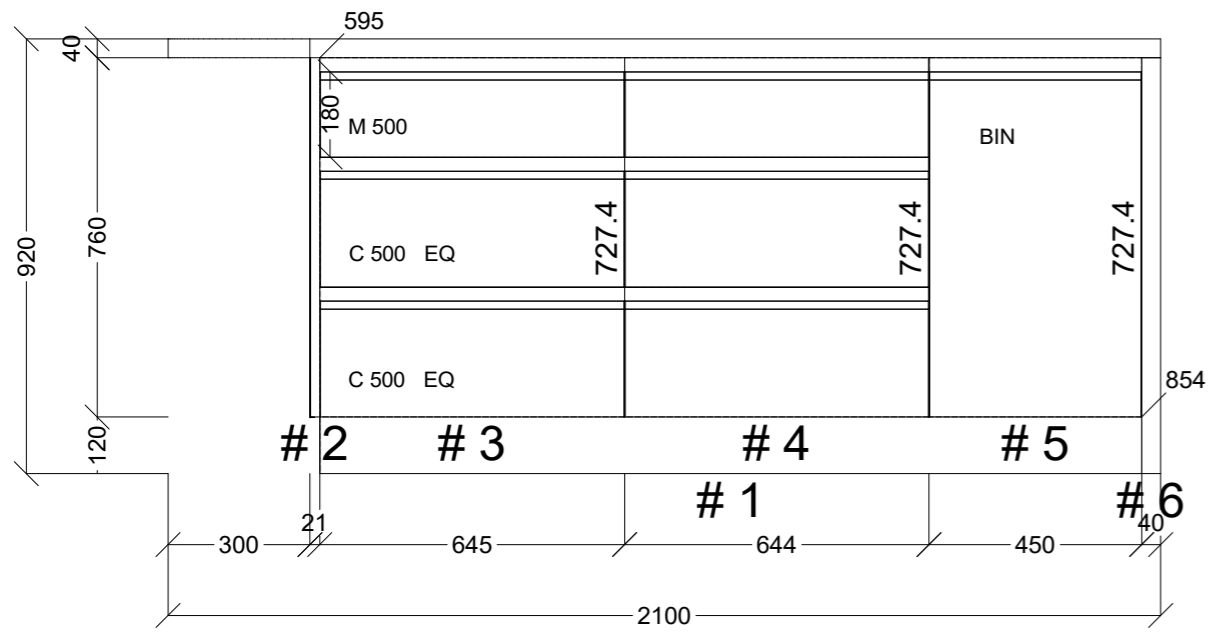

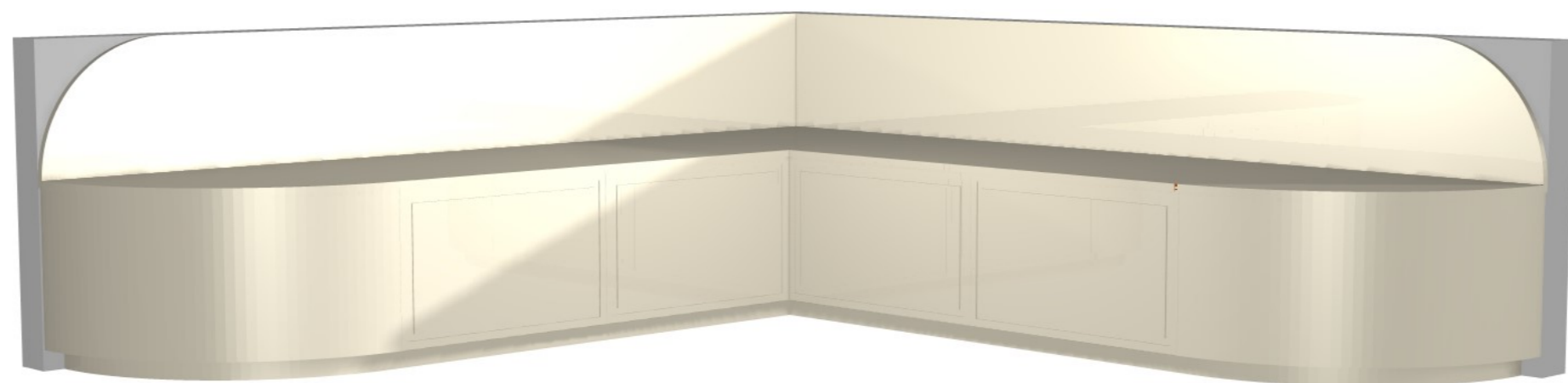
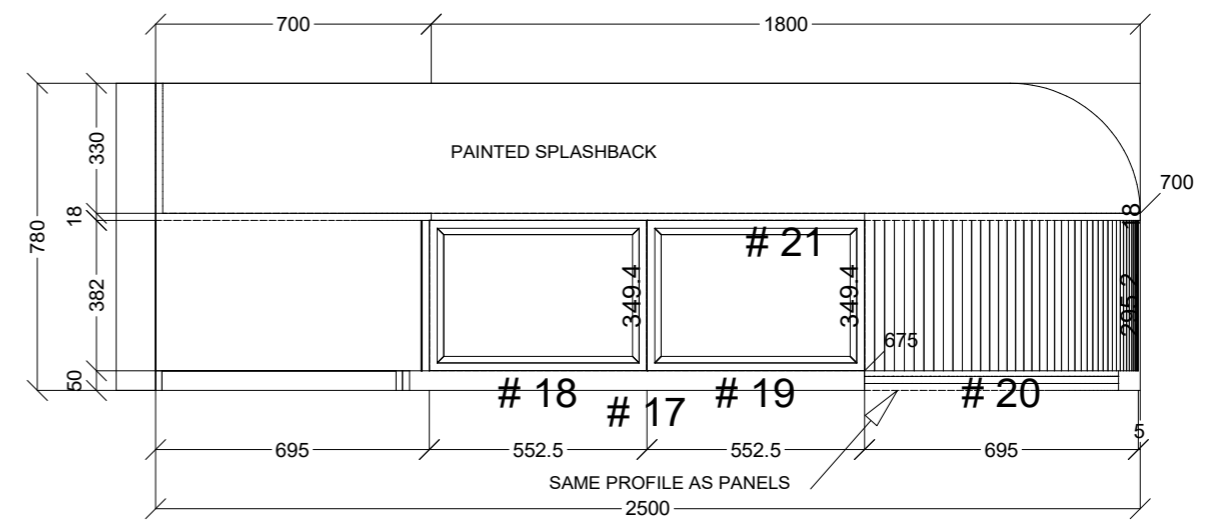
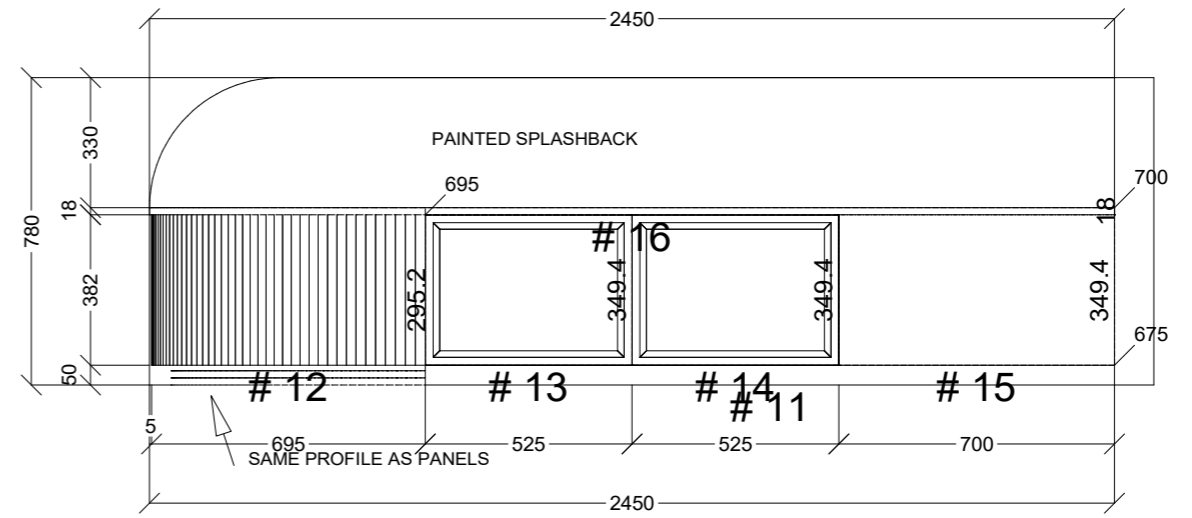
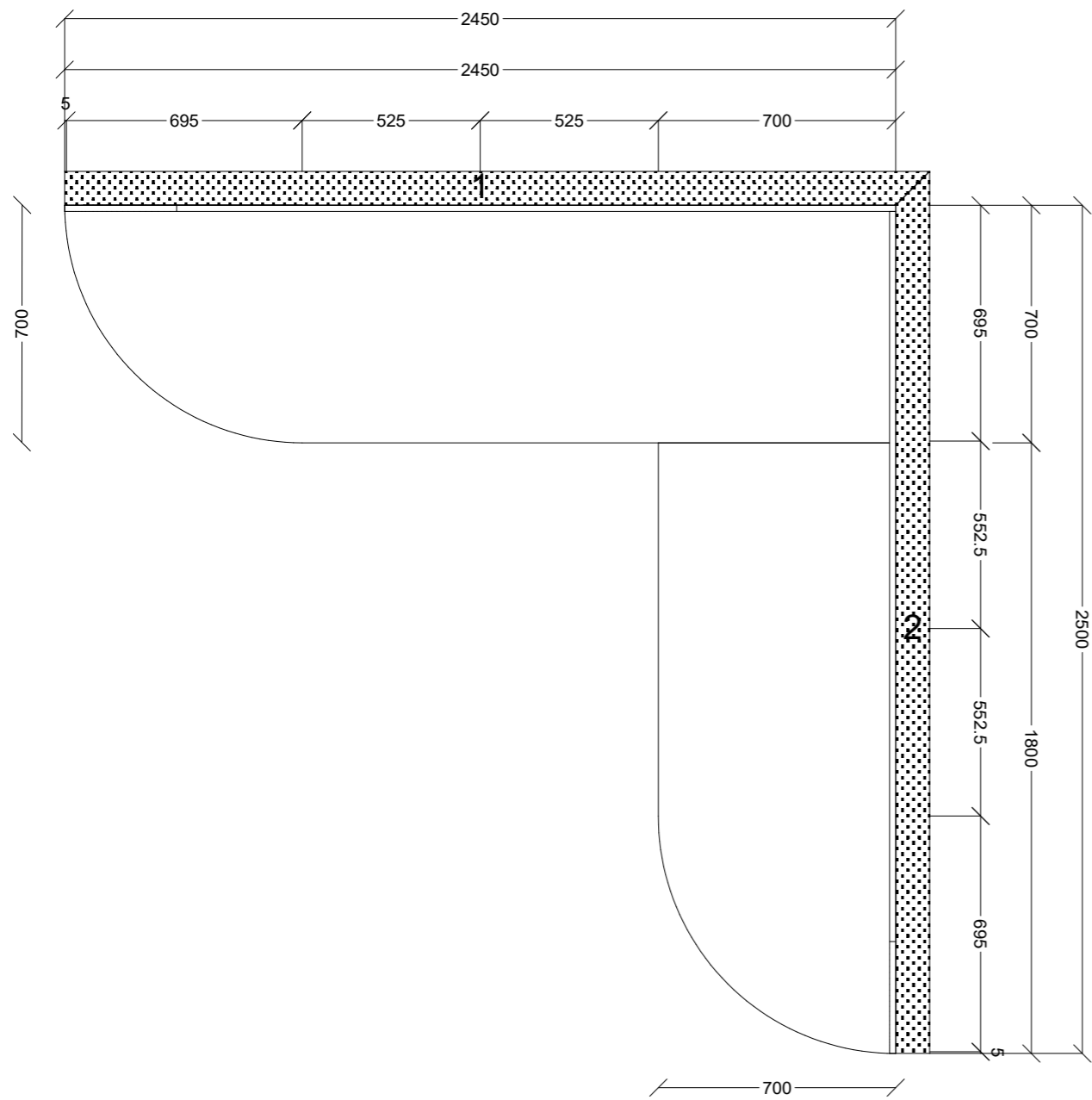



RIBBED PANELS ON REAR, SIDE AND CURVE



	Client: ADAM GRANT		Door and panels style/colour: 2PAC MATCH TESROL WHITE MATT/ 38MM RIBBED TO ISLAND BACK		Sheet 1 of 2
	Room: ISLAND	Benchtop Colour: 40MM WINTER WHITE YDL STONE		Drawer slides: BLUM ANTARO	Carcass: WHITE HMR
	Date: 17/01/25	Address: 108 WILLIS ST HAMPTON	Handles Item No: 45' FINGER PULL		Approved by:



	Client: ADAM GRANT		Door and panels style/colour: 2PAC 25MM SHAKER MATCH TESROL WHITE MATT. 3MM DEEP		Sheet 2 of 2
	Room: DAY BED	Benchtop Colour: 2PAC MATCH TESROL WHITE MATT	Drawer slides: N/A		Carcass: WHITE HMR
	Date: 17/01/25	Address: 108 WILLIS ST HAMPTON	Handles Item No: N/A		Approved by: