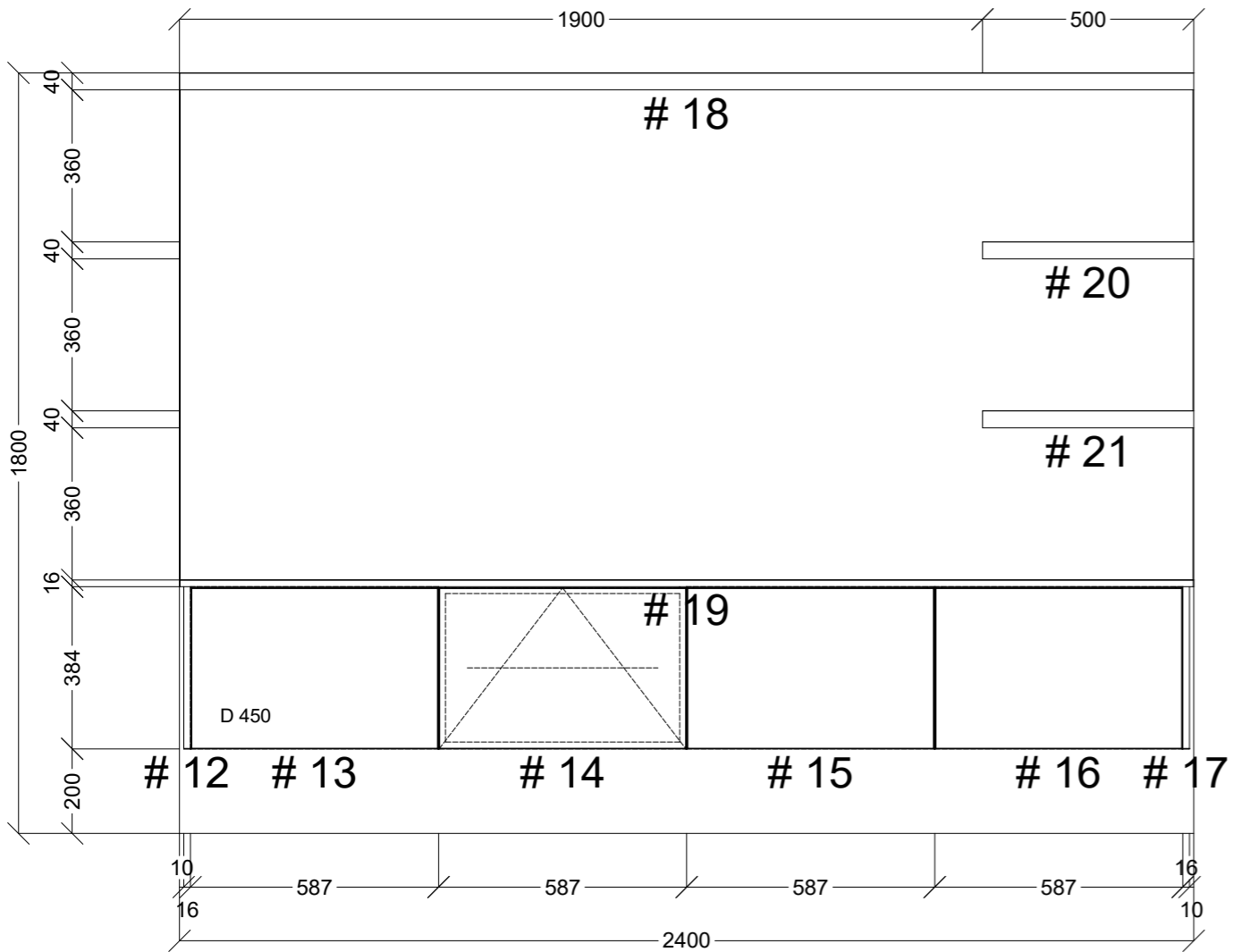
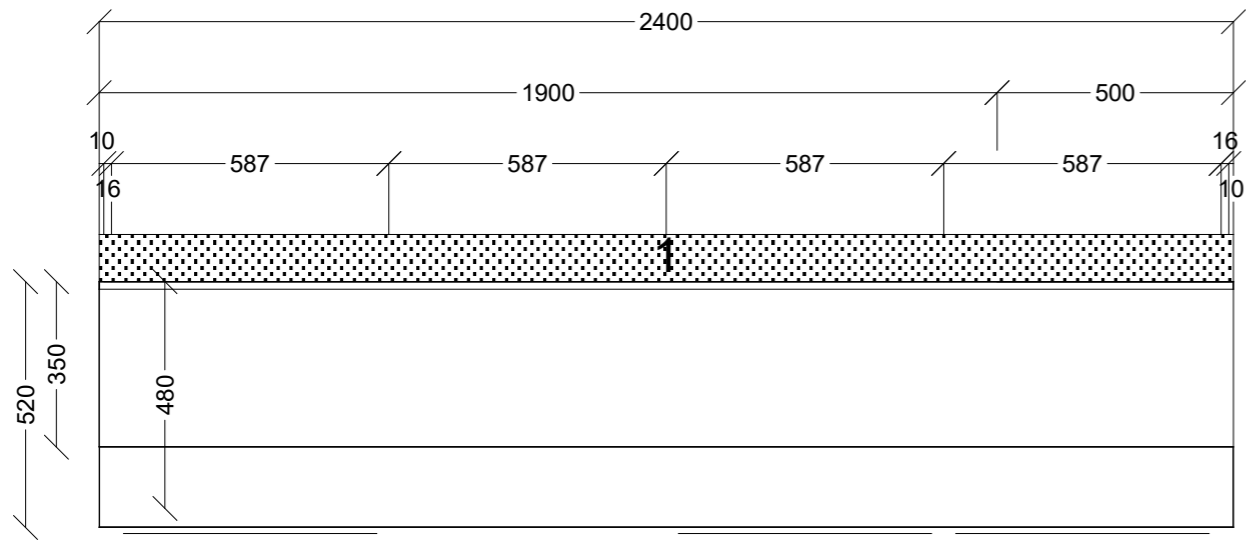
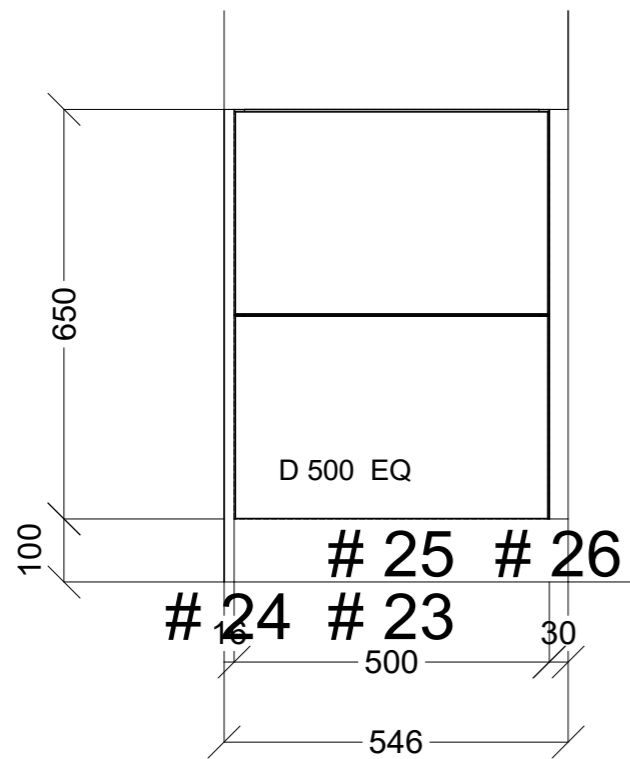
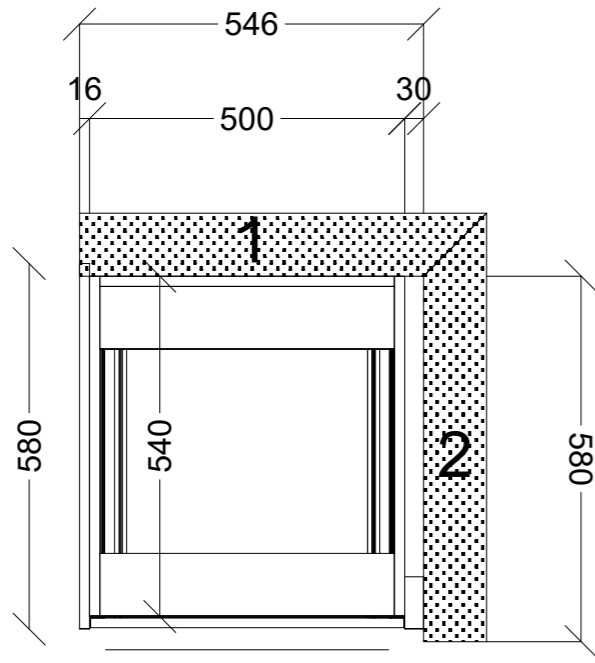


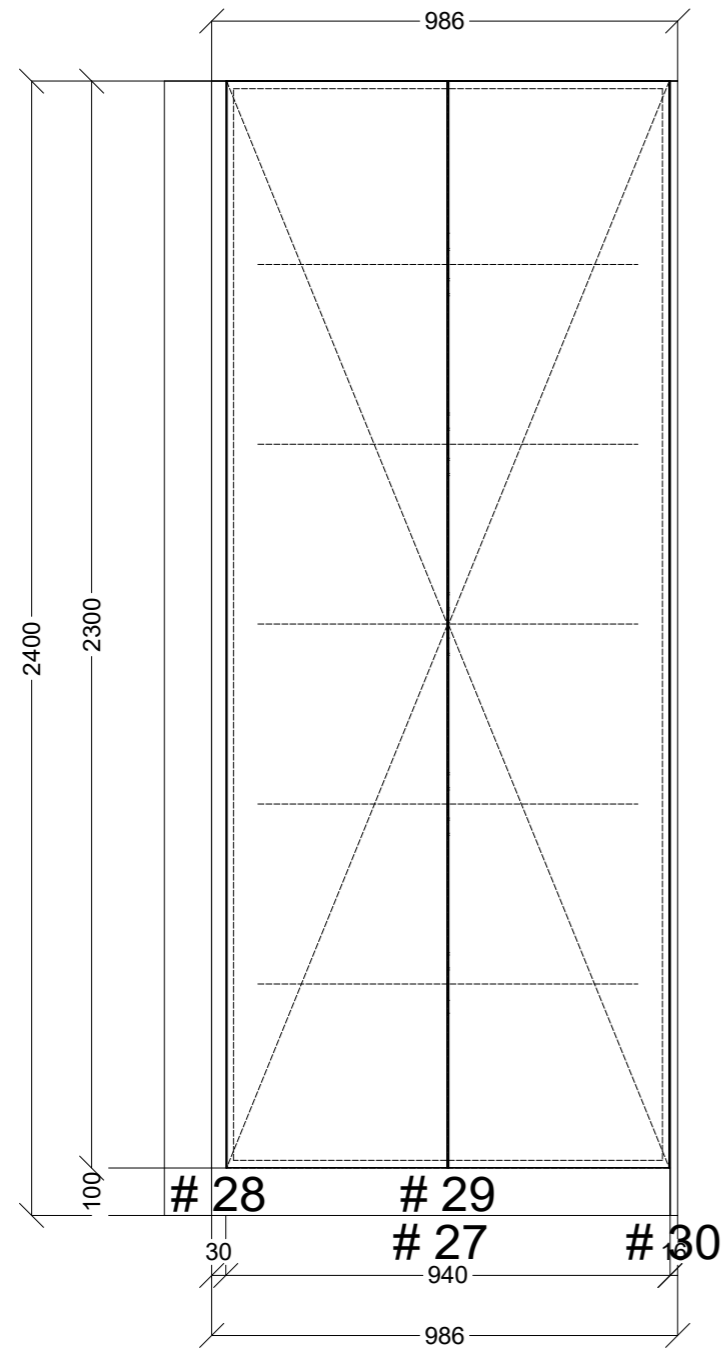
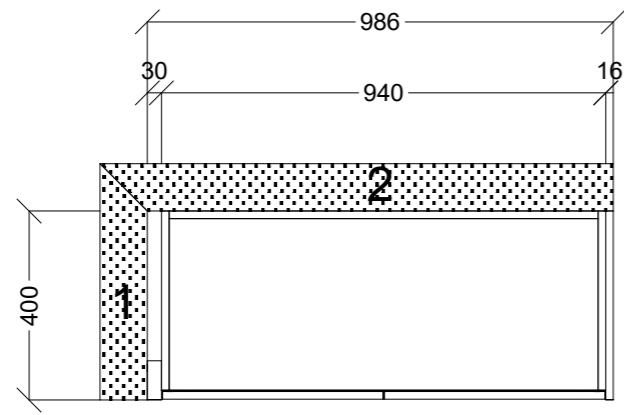
|                      |                     |              |  |  |                            |
|----------------------|---------------------|--------------|--|--|----------------------------|
|                      | Client:             |              | Door and panels style/colour: BLACK WENGE MATT |  | Sheet 1 of 4               |
|                      | Room: BEDROOM STUDY |              | Benchtop Colour: EXISTING                      |  | Drawer slides: BLUM ANTARO |
|                      | Carcass: WHITE HMR  |              | Date: 08/02/25                                 |  | Address: DANDENONG NTH     |
| Handles Item No: TBA |                     | Approved by: |  |  |                            |



|                      |                    |              |  |  |                            |
|----------------------|--------------------|--------------|--|--|----------------------------|
|                      | Client:            |              | Door and panels style/colour: BLACK WENGE MATT |  | Sheet 2 of 4               |
|                      | Room: TV UNIT      |              | Benchtop Colour: BLACK WENGE MATT              |  | Drawer slides: BLUM ANTARO |
|                      | Carcass: WHITE HMR |              | Date: 08/02/25                                 |  | Address: DANDENONG NTH     |
| Handles Item No: TBA |                    | Approved by: |  |  |                            |



|                   |  |                            |                    |              |
|-------------------|--|----------------------------|--------------------|--------------|
| Client:           | Door and panels style/colour: PERUGIAN WALNUT WOODMATT |                            |                    | Sheet 3 of 4 |
| Room: DRAWER UNIT | Benchtop Colour: EXISTING                              | Drawer slides: BLUM ANTARO | Carcass: WHITE HMR |              |
| Date: 08/02/25    | Address: DANDENONG NTH                                 | Handles Item No: TBA       | Approved by:       |              |



|                |   |  |                      |                    |
|----------------|---|--|----------------------|--------------------|
| Client:        | Door and panels style/colour: COLOURBOARD TBA |  |                      | Sheet 4 of 4       |
| Room: STORAGE  | Benchtop Colour: N/A                          |  | Drawer slides: N/A   | Carcass: WHITE HMR |
| Date: 08/02/25 | Address: DANDENONG NTH                        |  | Handles Item No: TBA | Approved by:       |