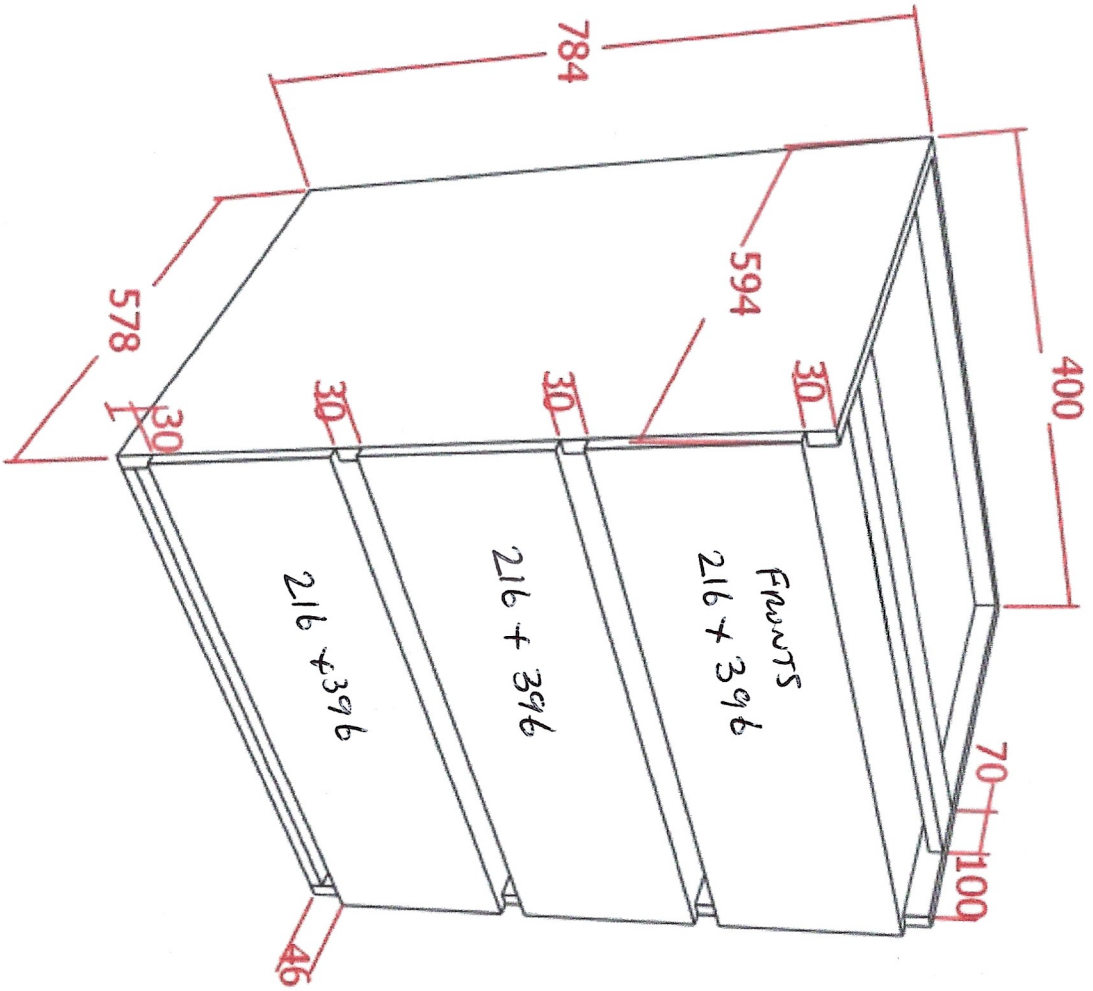


CROSSCUT KITCHENS

27 MILLER

NEED ONE DRAW UNIT



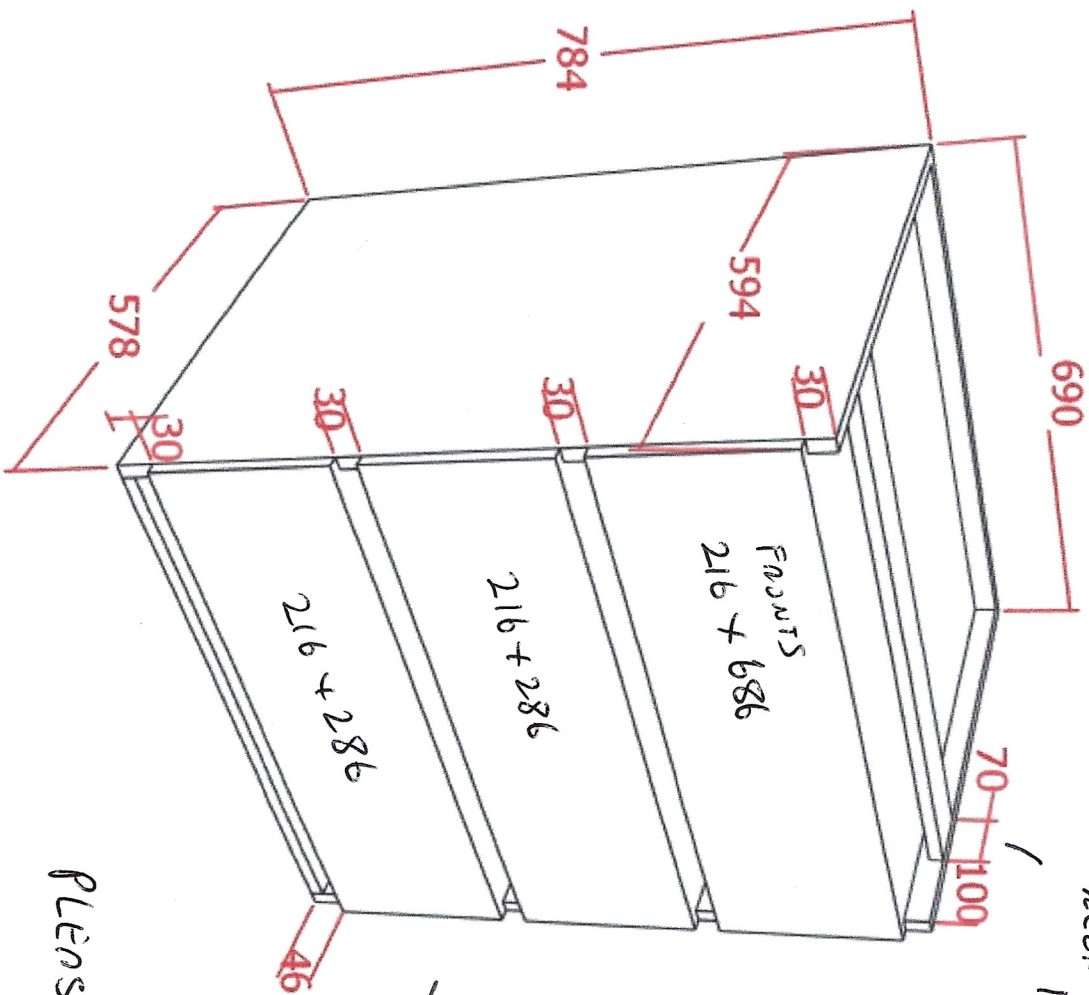
ALL-HMNL. WHITE

SAME AS 690mm WIDE
DRAW UNIT THICKNES

DRAWN TITUS SKIN LINE
DOUBLE WALL 167mm HIGH
500mm DEEP

27 ANCHER

NEED TWO DRAW UNITS.



KEEP TOP RAIL BACK FROM FRONTS
100mm PLEASE

SOLO BACK.

30mm FINISH PULL HANDS

ALL H.M.R. WHITE 16mm

DRAWN THUS SLIM LINE

DOUBLE WALL 167mm HIGH
500mm DEEP

X 2

PLEASE SEE ALL DETAILS.

LINEN

- 10) 720 x 445 EDGE 1 LONG
 3) 1748 x 450 EDGE 1 LONG
 2) 1616 x 50 EDGE 1 LONG

STUDY

- 2) 589 x 688 EDGE 1 LONG
 2) 1740 x 594 EDGE 1 LONG
 5) 920 x 589 EDGE 1 LONG
 1) 1738 x 594 NO EDGE
 1) 1605 x 50 NO EDGE

DRESSING ROOM

- 5) 589 x 589 EDGE 1 LONG
 3) 1740 x 594 EDGE 1 LONG
 1) 1609 x 50 EDGE 1 LONG
 2) 398 x 589 EDGE 1 LONG

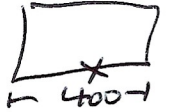
ROBES

- 2) 589 x 688 EDGE 1 LONG
 2) 1742 x 594 EDGE 1 LONG
 5) 920 x 589 EDGE 1 LONG
 1) 1740 x 594 NO EDGE
 1) 1609 x 50 NO EDGE
 5) 650 x 589 EDGE 1 LONG
 3) 1740 x 594 EDGE 1 LONG
 1) 1609 x 50 EDGE 1 LONG
 2) 398 x 589 EDGE 1 SHORT

DRAW UNITS



- 2) 690 x 594 EDGE 1 LONG
 1) 400 x 594 EDGE 1 SHORT



- 2) 690 x 100 NO EDGE
 1) 400 x 100 NO EDGE