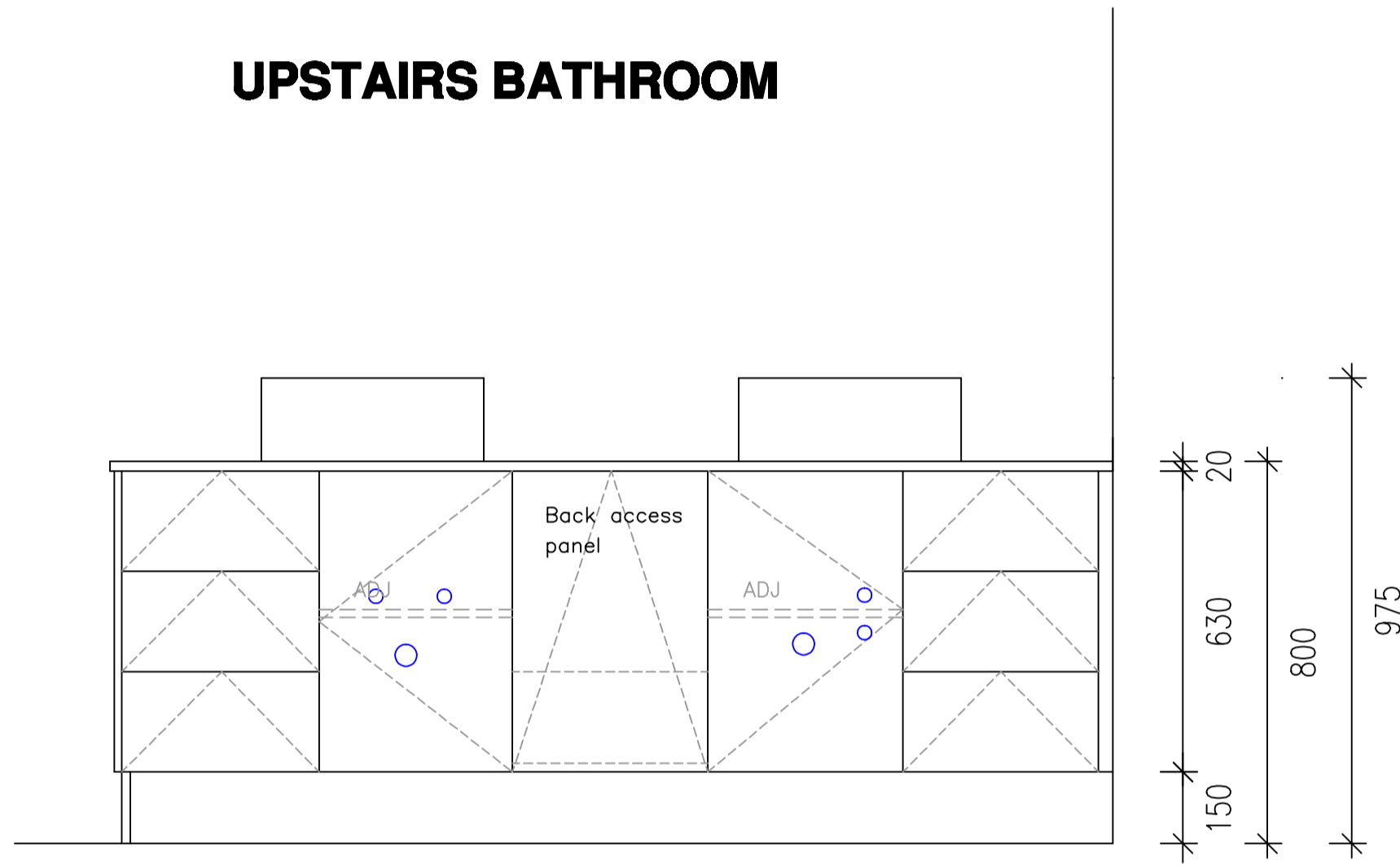
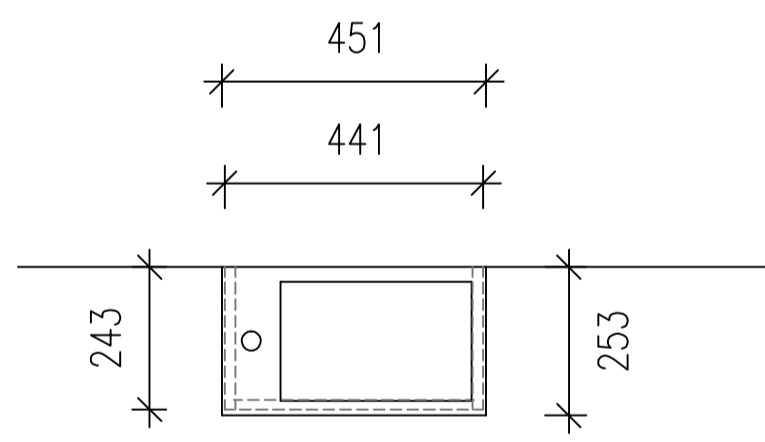


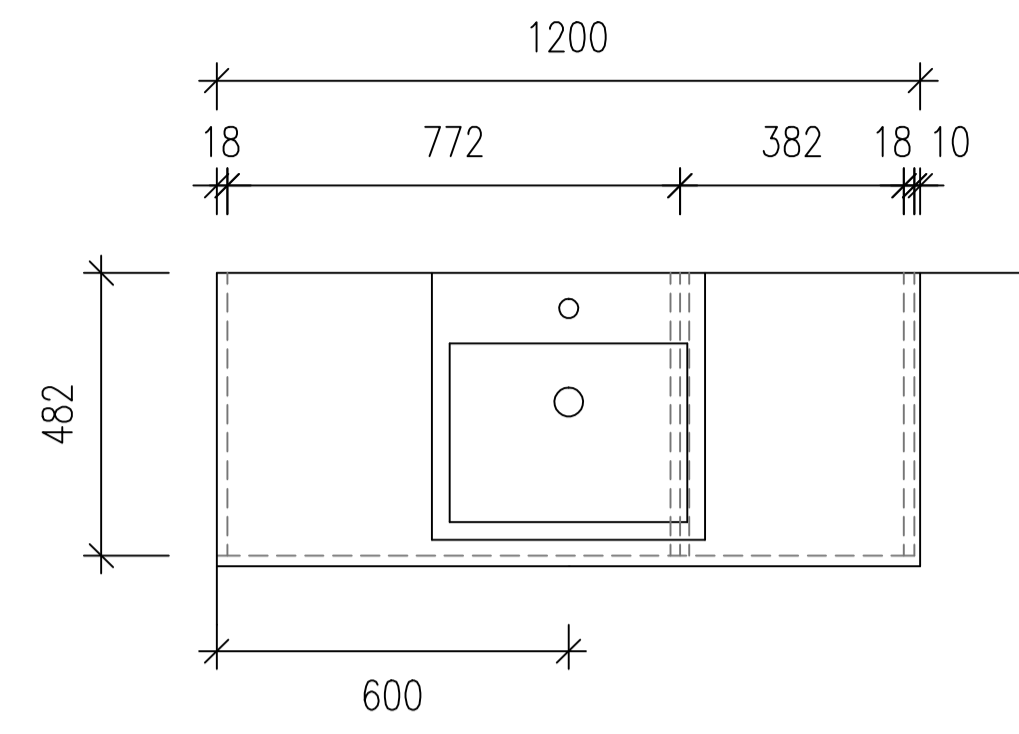
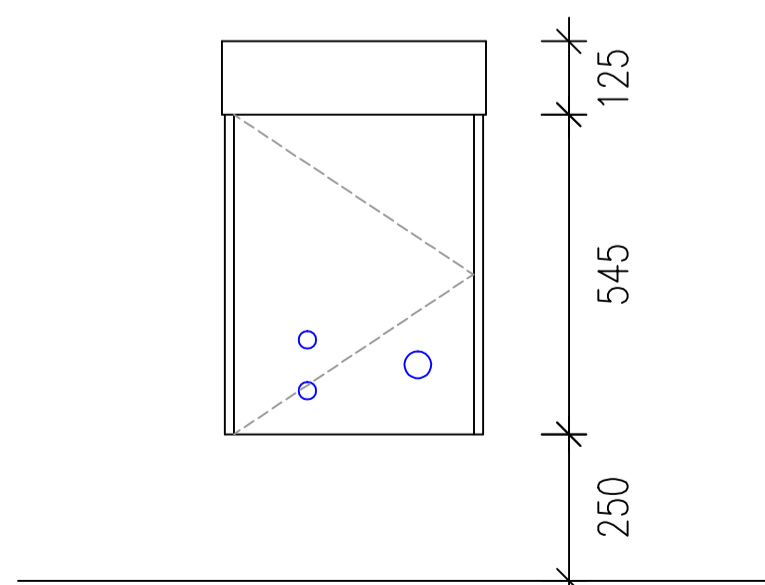
UPSTAIRS BATHROOM



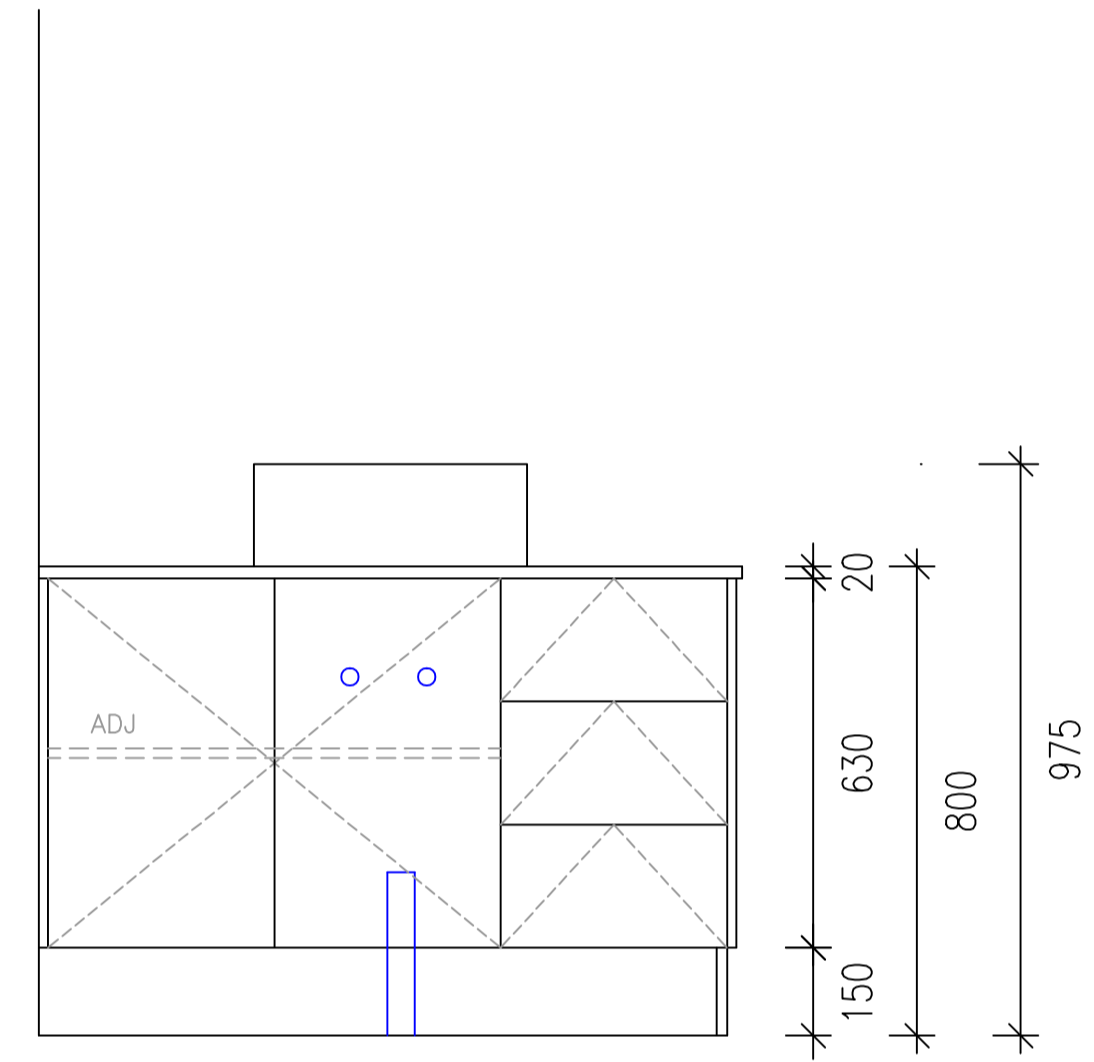
UPSTAIRS BATHROOM



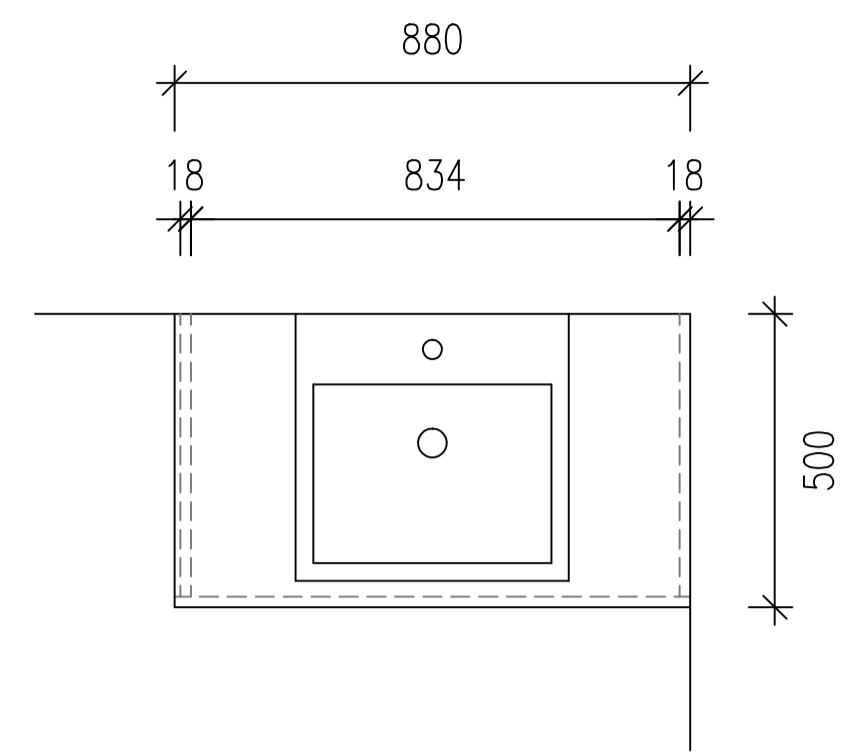
POWDER ROOM



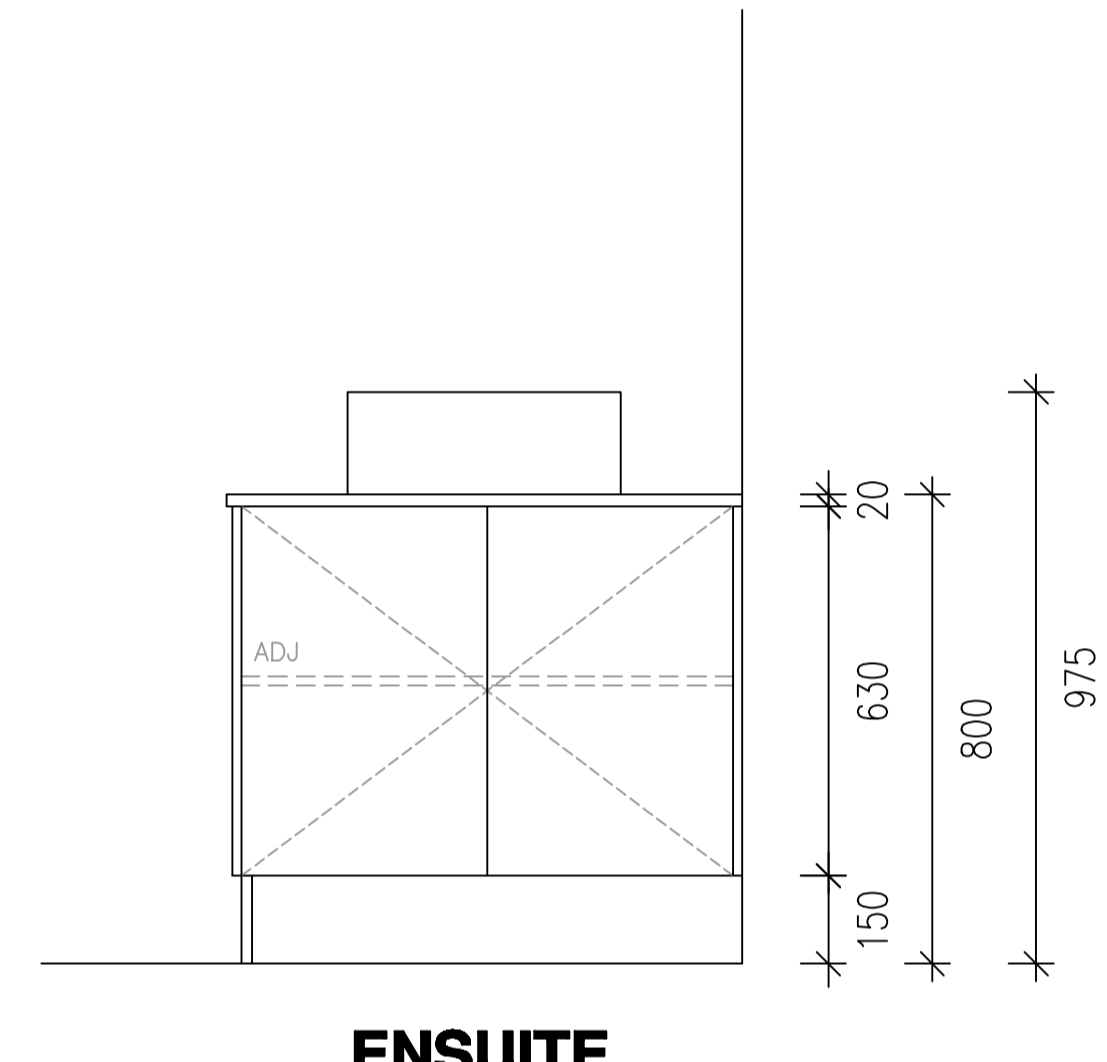
DOWN STAIRS BATHROOM



DOWN STAIRS BATHROOM



ENSUITE



ENSUITE

FINISHES

- L1 16mm WHITE MELAMINE
- L2 16mm POLYTEC BLACK WENGE RAVINE WITH 1mm MATCHING ABS EDGING

CONSTRUCTECH

aseada
A Kitchen-Cook-Bathroom-South 3152

PROJECT: 22-KENC-80
KIMBER WARRIOR

Drawing Title : VANITIES & ROBE
Date: 10/02/2025
Drawing No. A2
Revision : Rev A
Drawn : AC

PLANS INSPECTED AND APPROVED FOR CONSTRUCTION

NAME _____
SIGNED _____
DATED / /