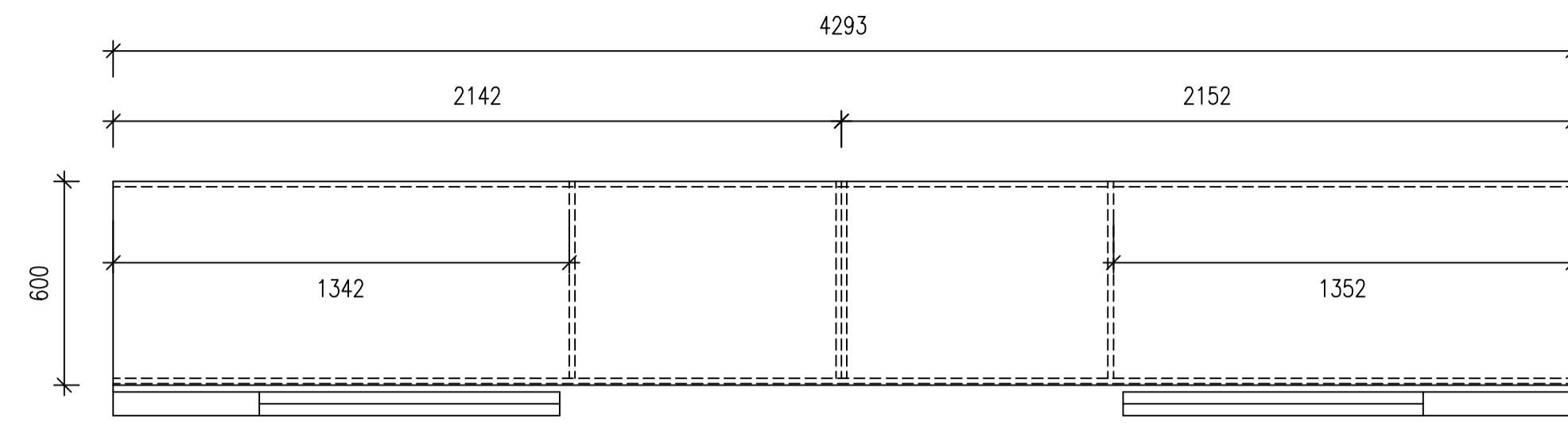
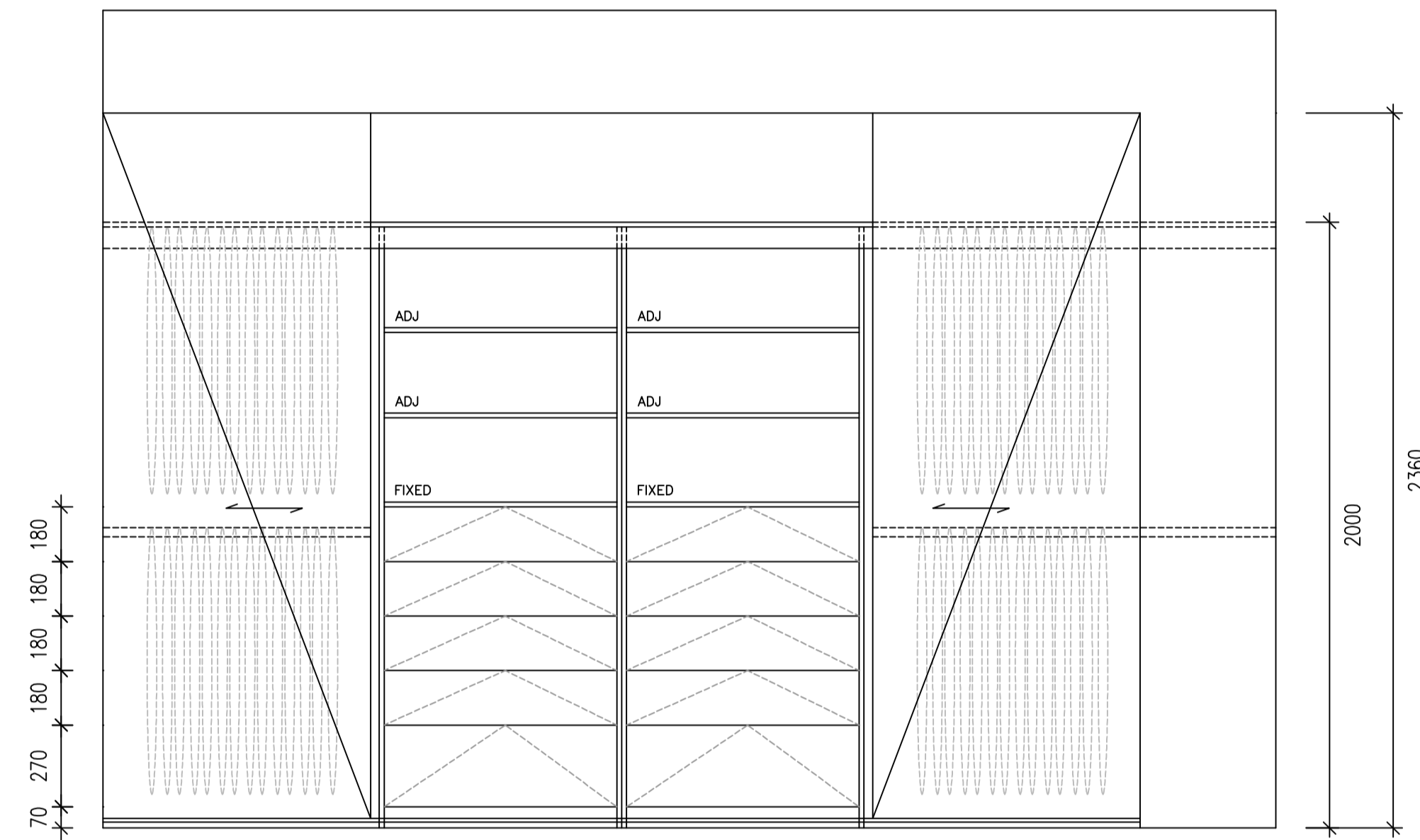


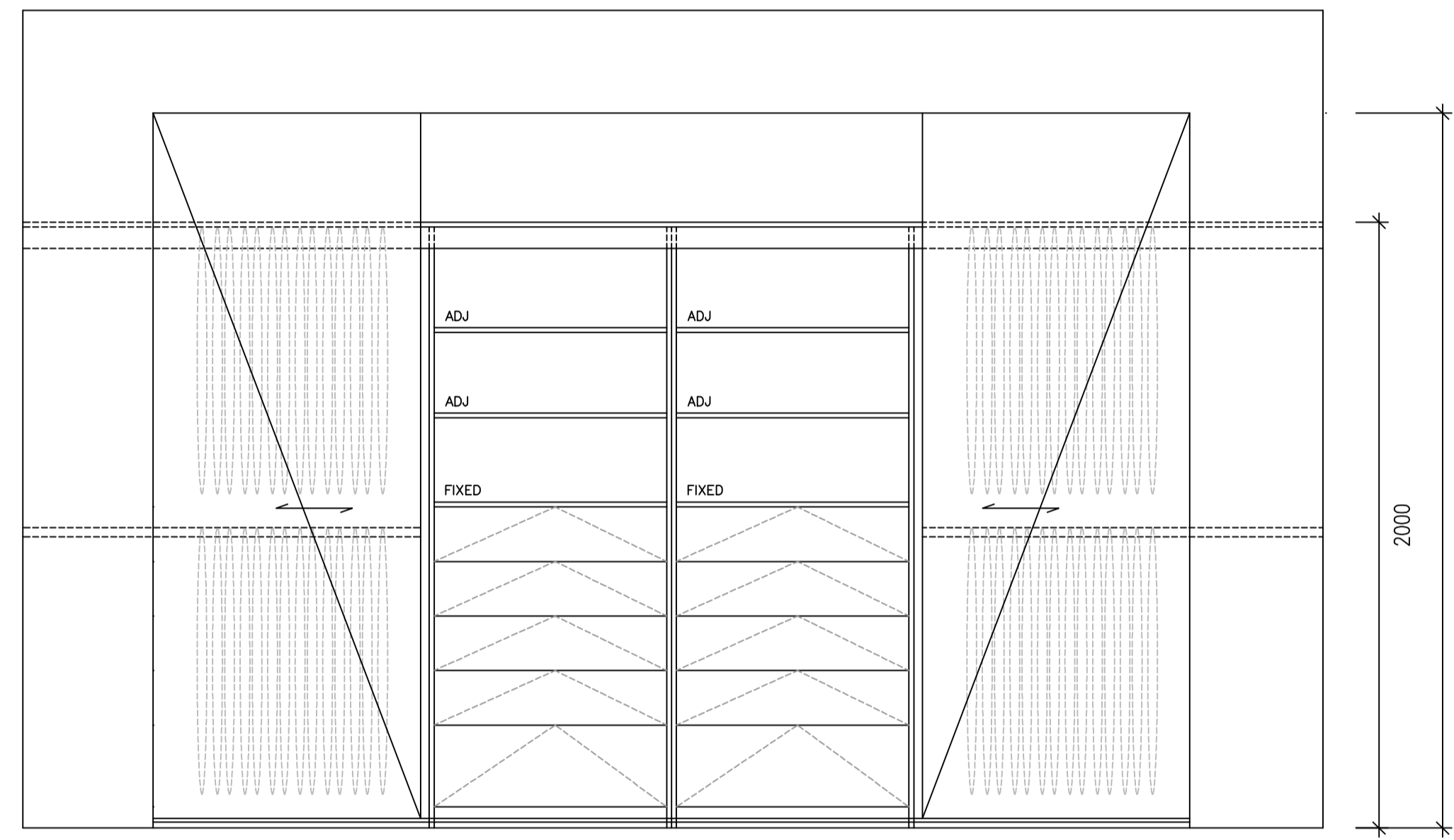
ROBE 1



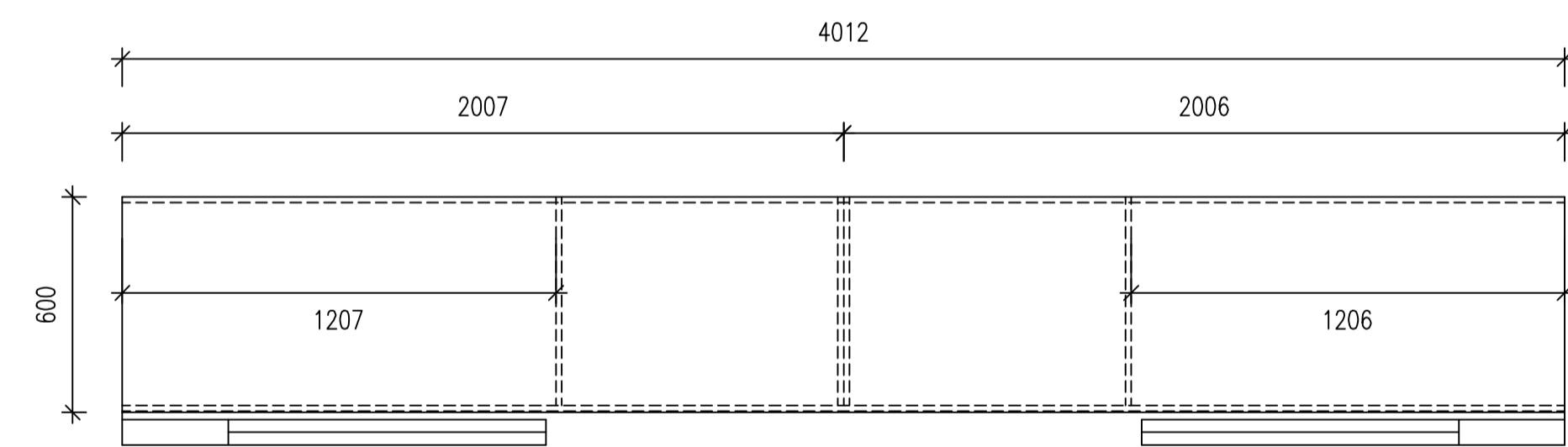
ROBE 2



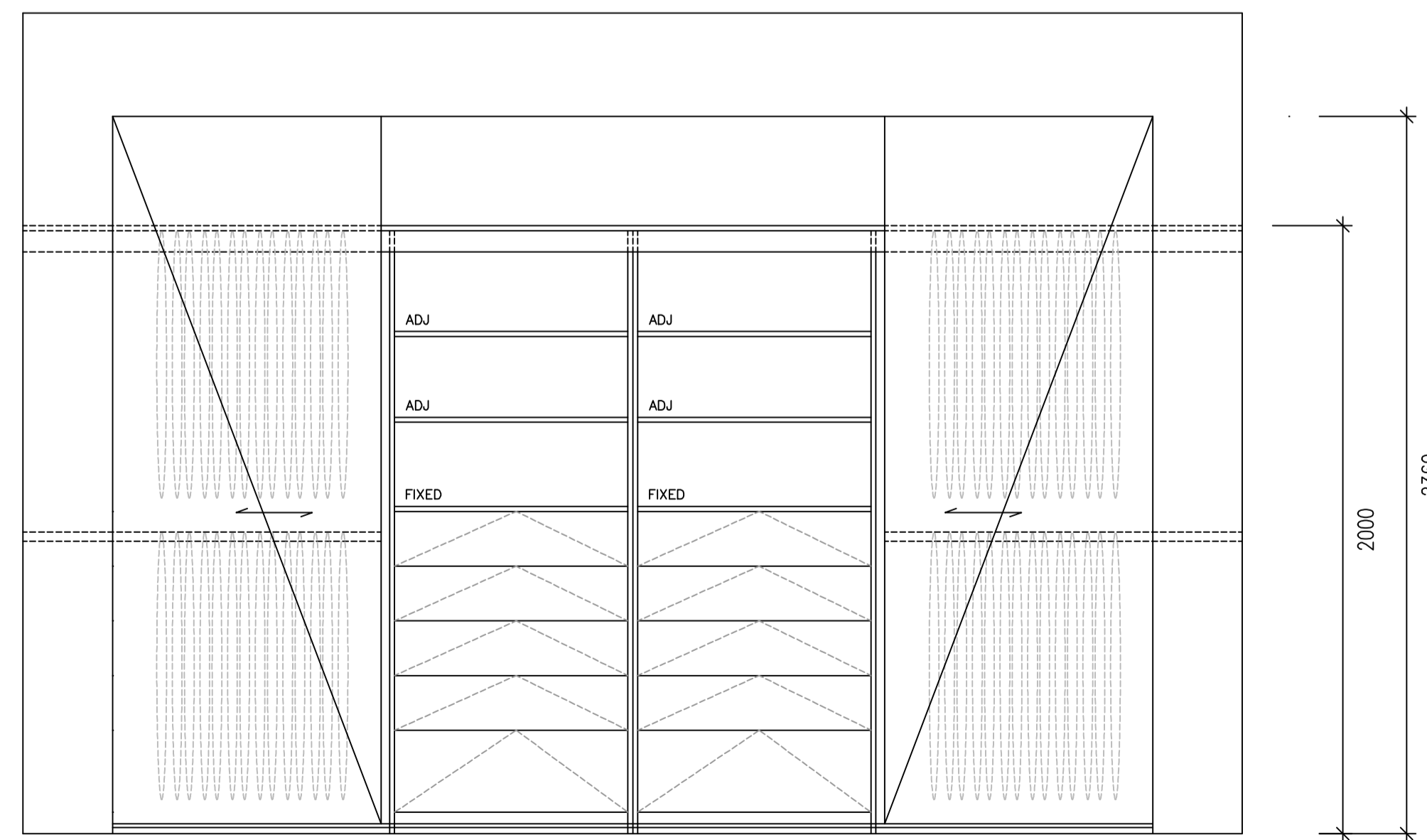
ROBE 1



ROBE 2



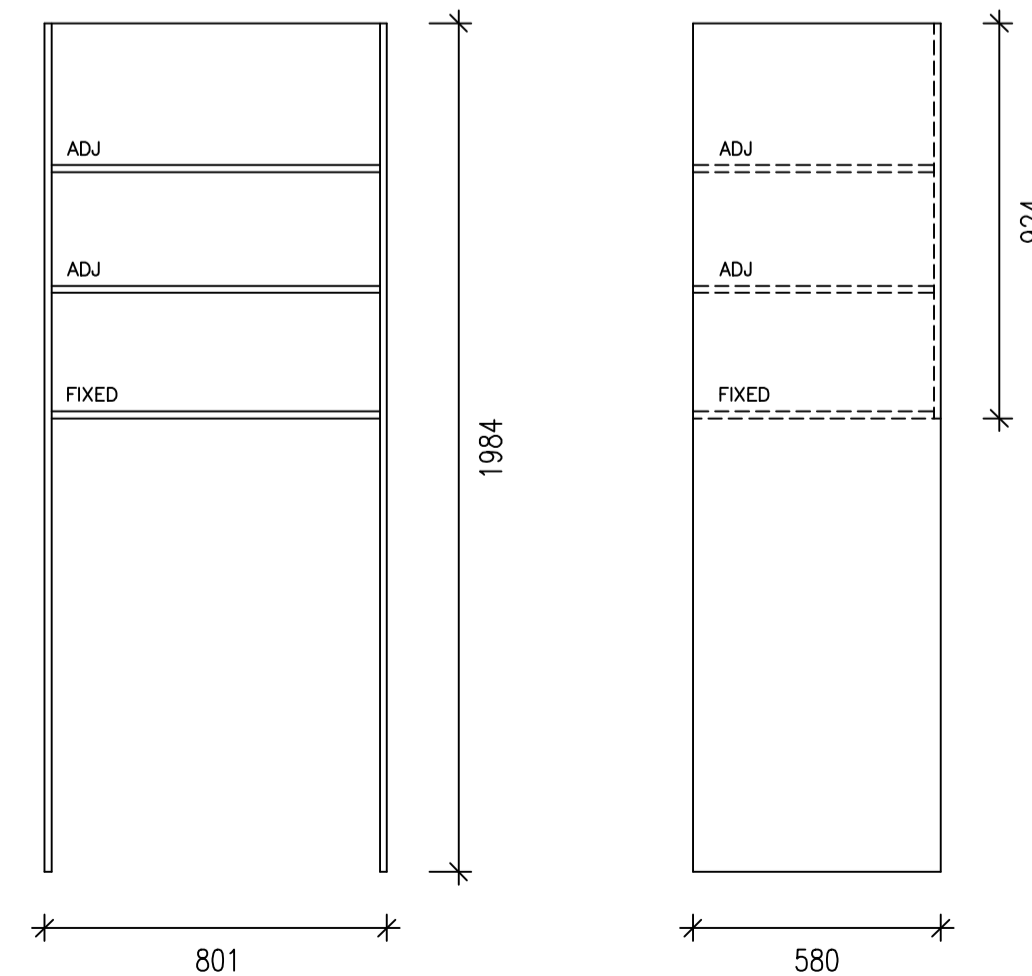
ROBE 3



ROBE 3

FINISHES

L1 16mm WHITE MELAMINE



OPEN SHELVING DETAIL

CONSTRUCTECH



PROJECT: 22_KENT_RD
MARRIE WARREN

Drawing Title : BEDROOM ROBES
Date: 04/02/2025
Drawing No. A1
Revision : 0
Drawn: AC

PLANS INSPECTED AND APPROVED FOR CONSTRUCTION
NAME _____
SIGNED _____
DATED / /