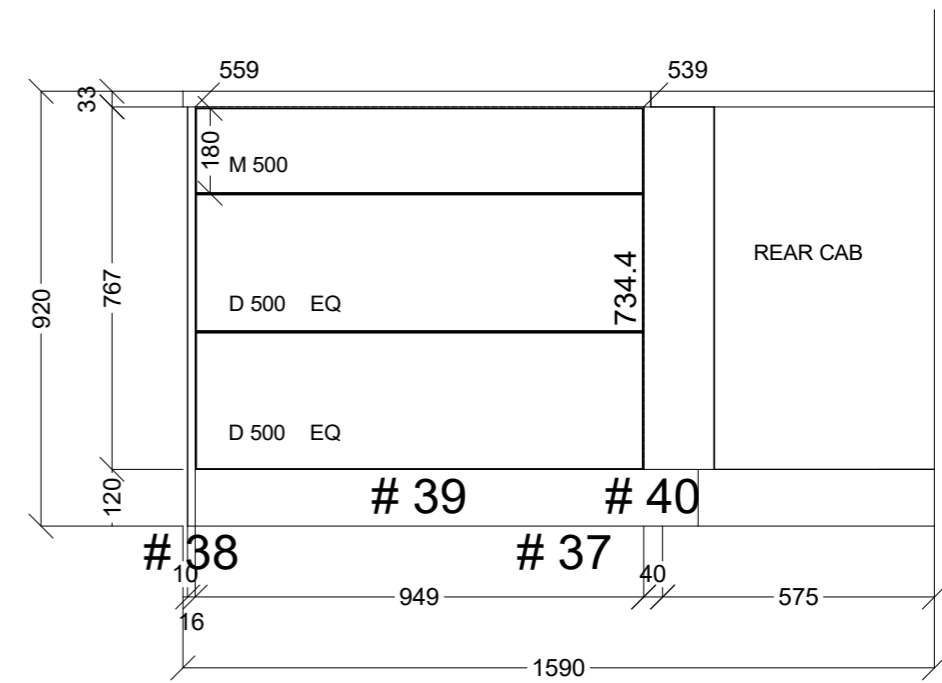
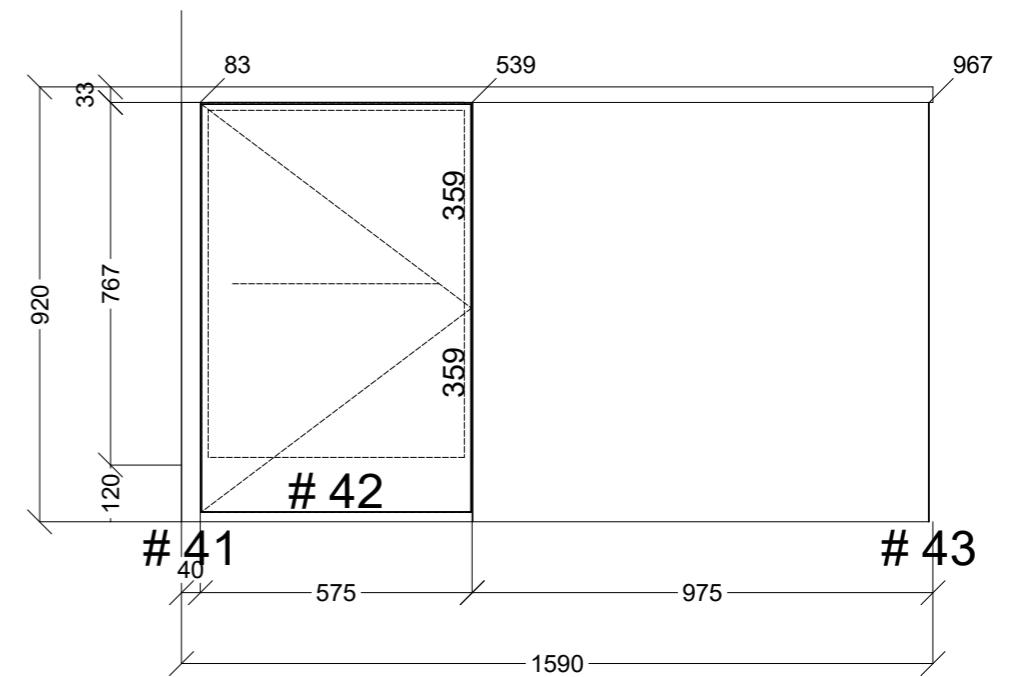


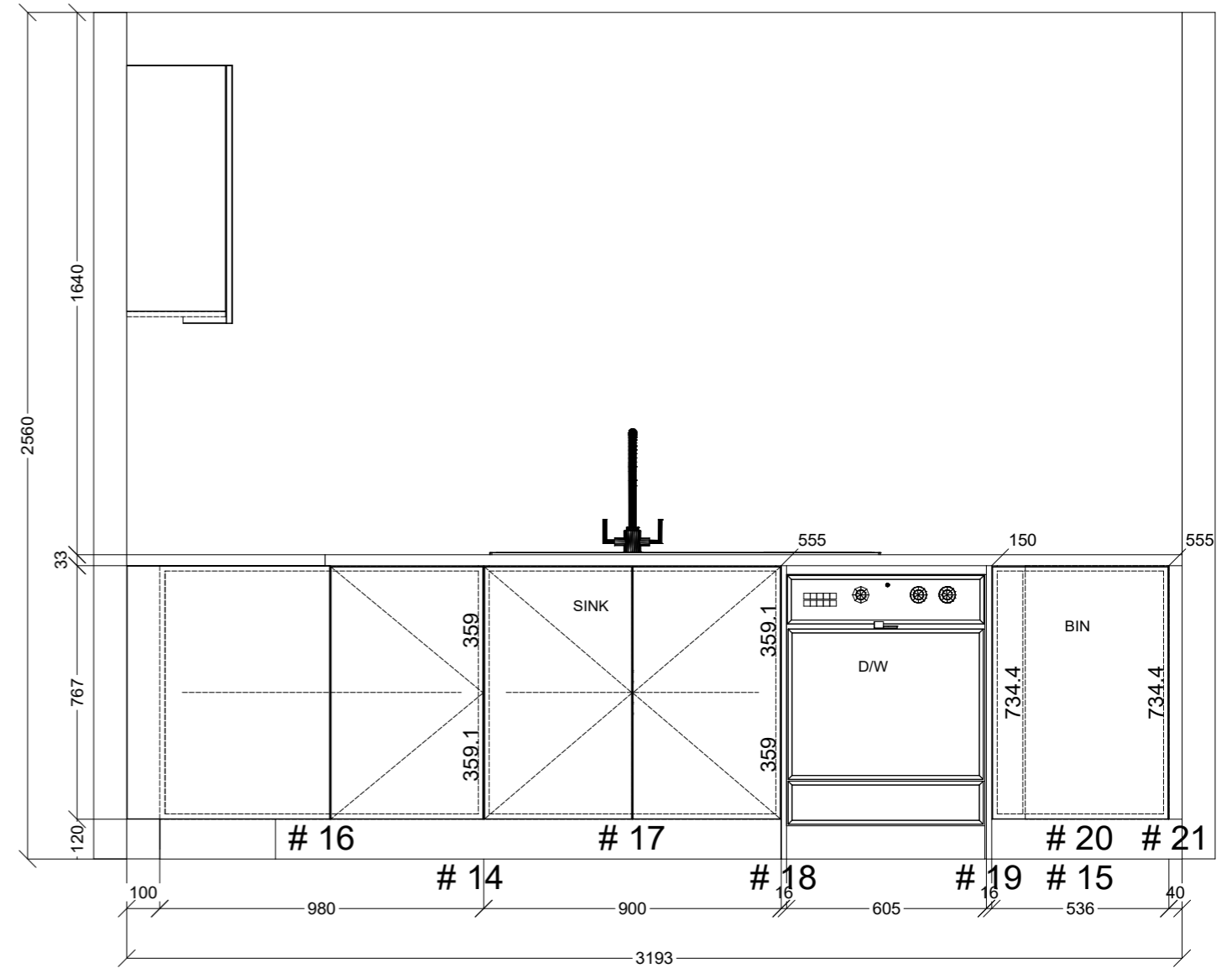
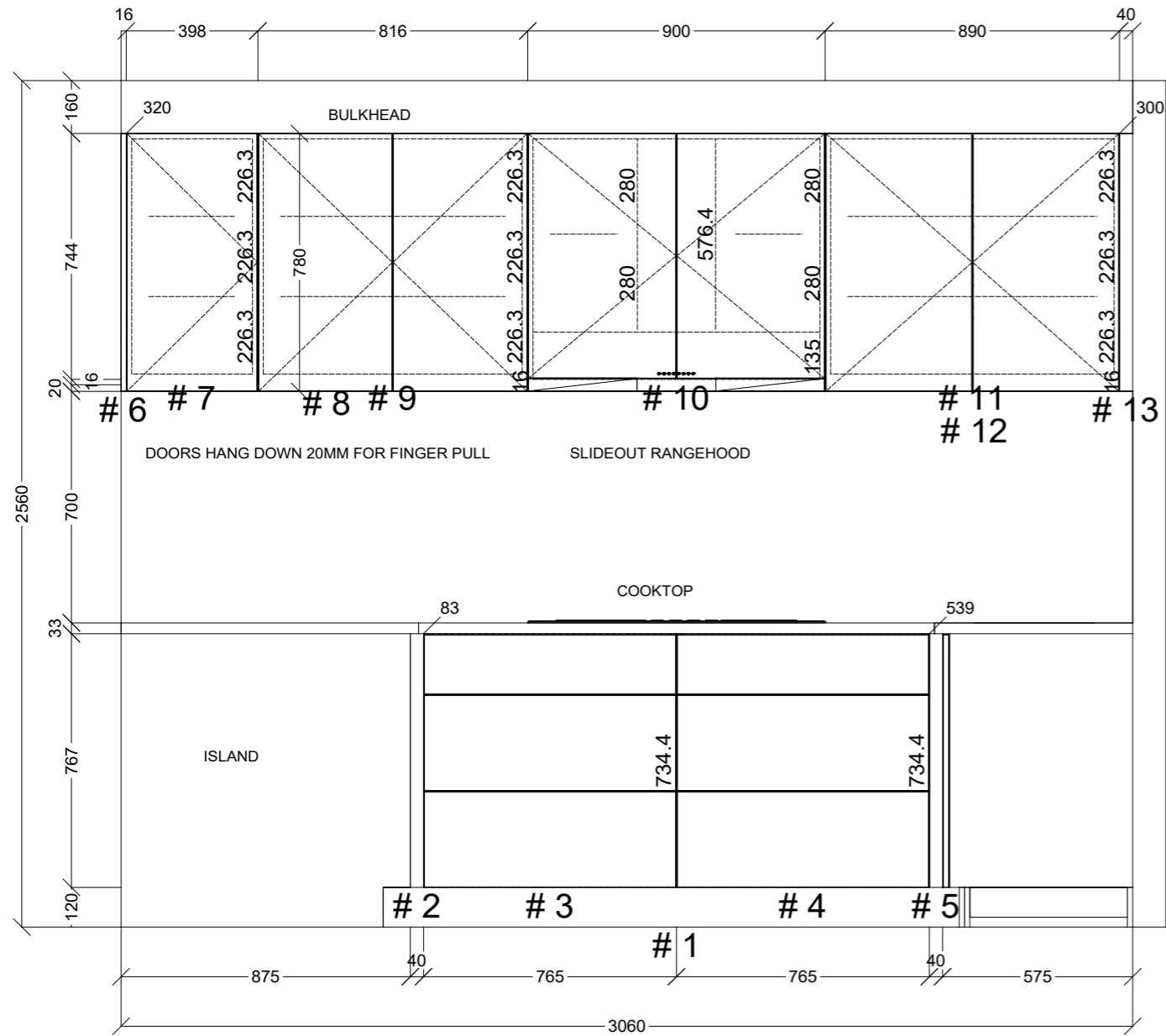
ISLAND FRONT




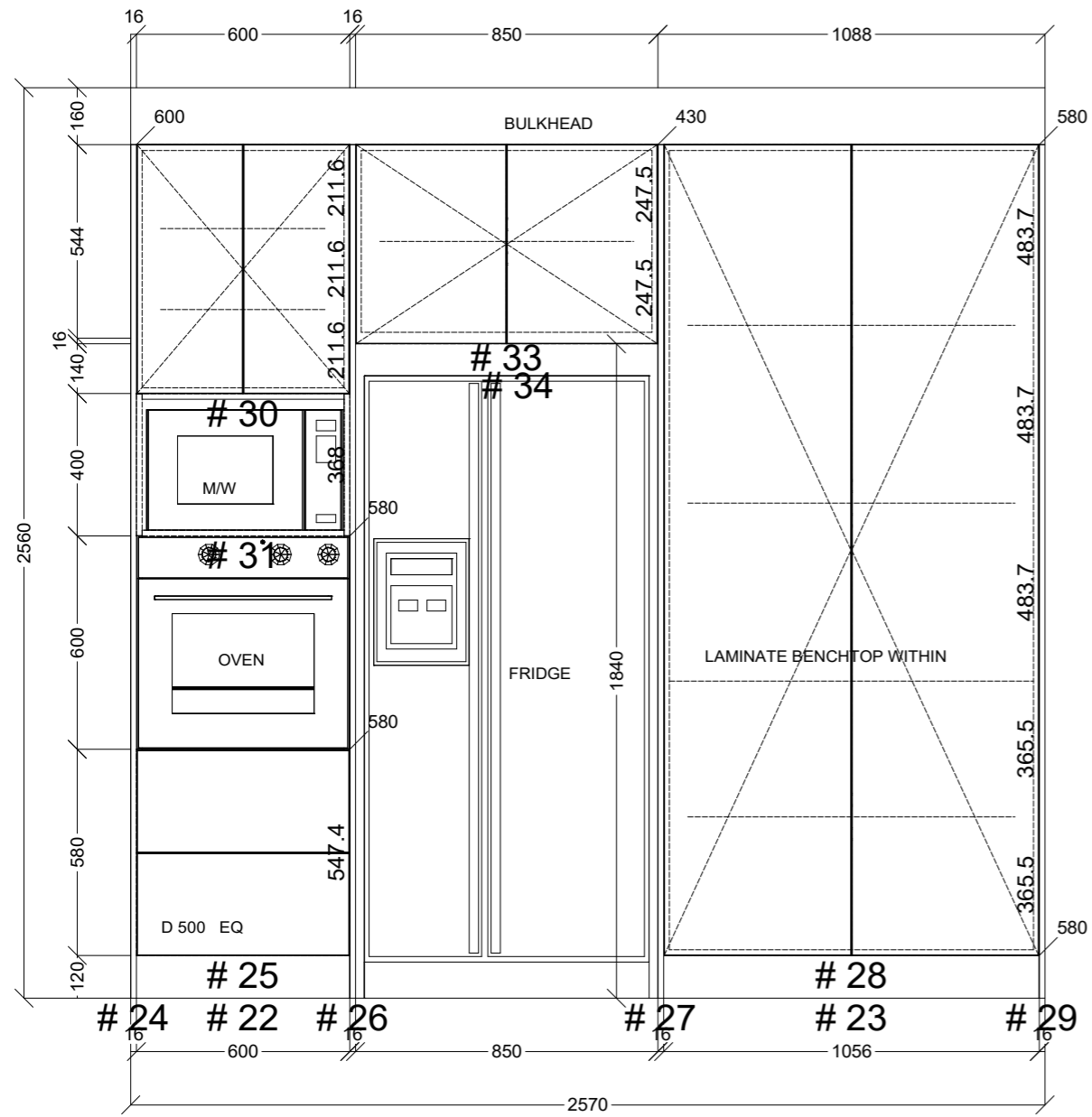
ISLAND REAR




	Client: THE BUILDING AND CONSTRUCTION COMPANY		Door and panels style/colour: POLYTEC ALABASTER MATT		Sheet 1 of 10
	Room: KITCHEN	Benchtop Colour: LAMINEX SPOTTED GUM NATURAL		Drawer slides: DTC SMOOTH	Carcass: WHITE HMR
	Date: 07/02/25	Address: 275 LIBERTY PDE HEIDELBERG WEST		Handles Item No: LIP PULL BY BUILDER	Approved by:



 CONNECT KITCHENS	Client: THE BUILDING AND CONSTRUCTION COMPANY		Door and panels style/colour: POLYTEC ALABASTER MATT		Sheet 2 of 10
	Room: KITCHEN	Benchtop Colour: LAMINEX SPOTTED GUM NATURAL		Drawer slides: DTC SMOOTH	Carcass: WHITE HMR
	Date: 07/02/25	Address: 275 LIBERTY PDE HEIDELBERG WEST	Handles Item No: LIP PULL BY BUILDER		Approved by:




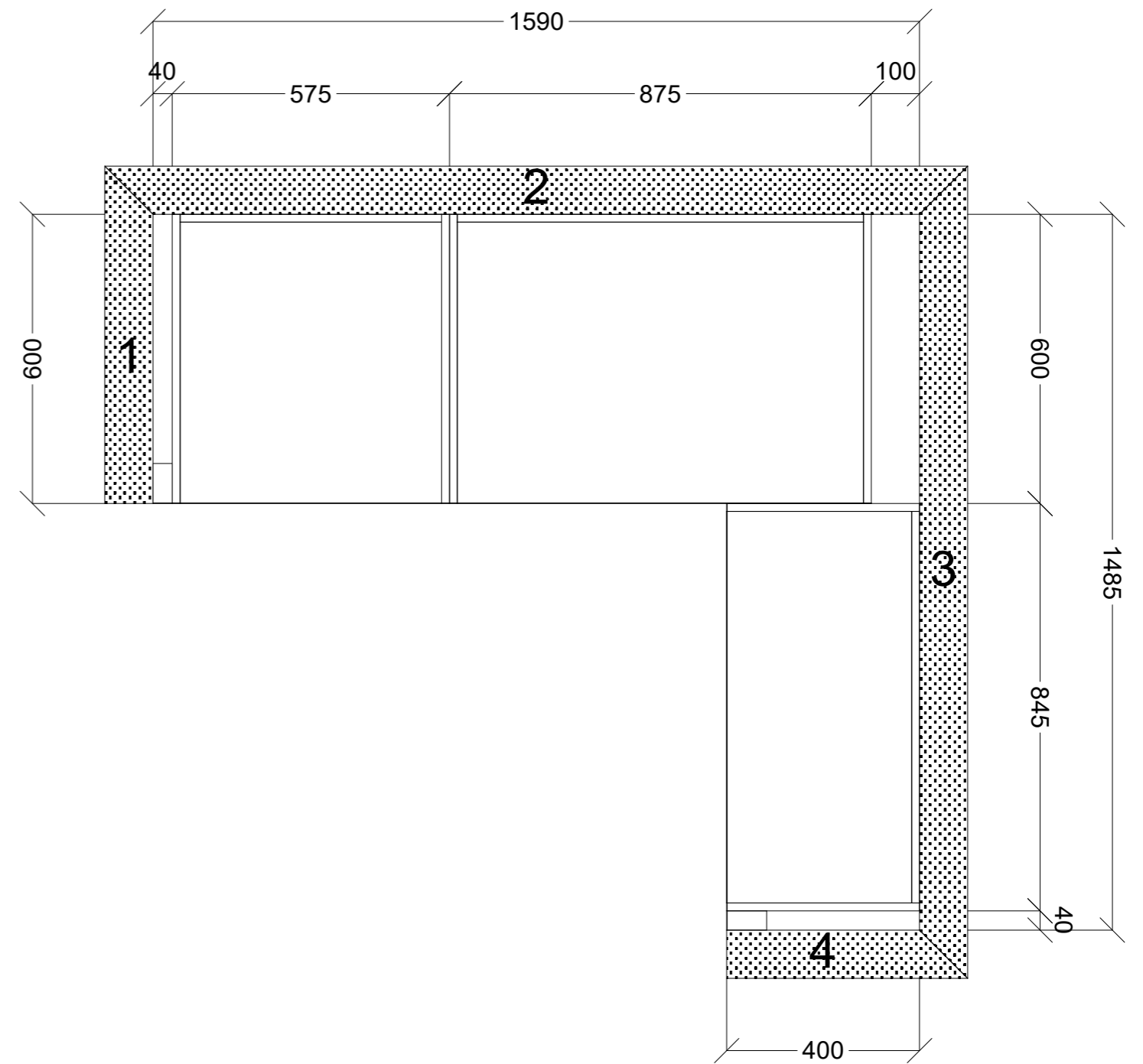
 CONNECT KITCHENS	Client: THE BUILDING AND CONSTRUCTION COMPANY		Door and panels style/colour: POLYTEC ALABASTER MATT		Sheet 3 of 10
	Room: KITCHEN	Benchtop Colour: LAMINEX SPOTTED GUM NATURAL		Drawer slides: DTC SMOOTH	Carcass: WHITE HMR
	Date: 07/02/25	Address: 275 LIBERTY PDE HEIDELBERG WEST		Handles Item No: LIP PULL BY BUILDER	Approved by:




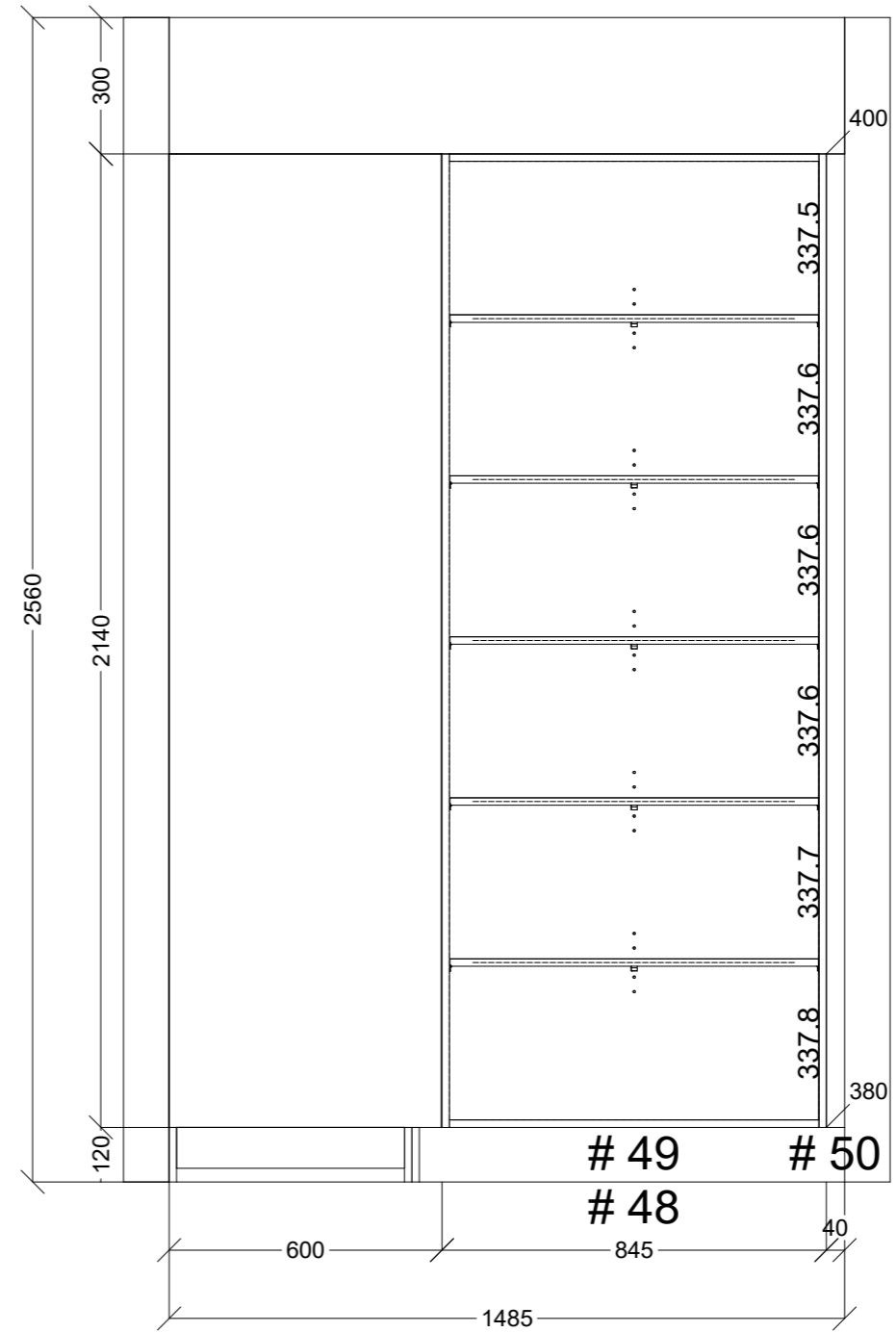
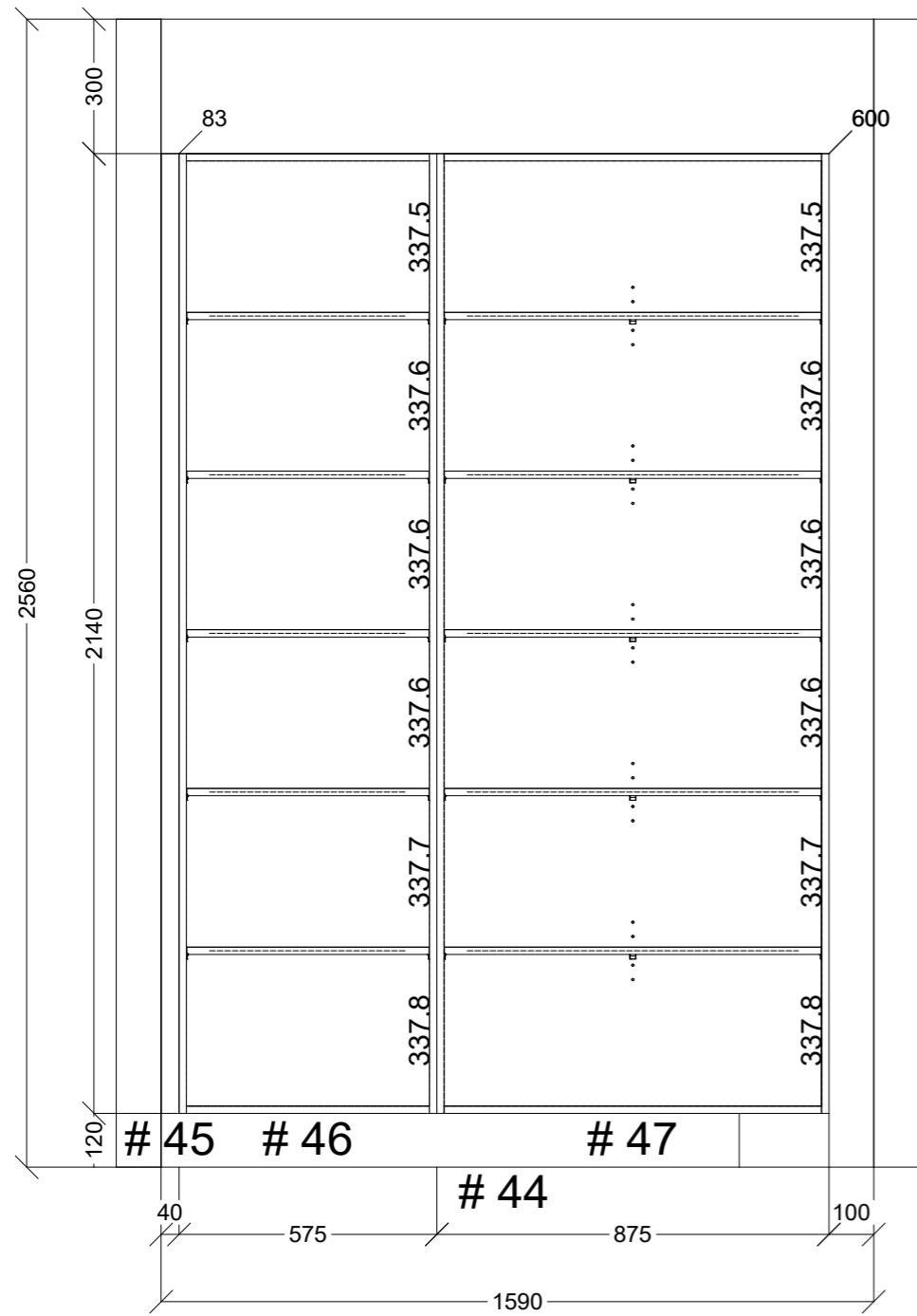
Client: THE BUILDING AND CONSTRUCTION COMPANY	Door and panels style/colour: POLYTEC ALABASTER MATT			Sheet 4 of 10
Room: KITCHEN	Benchtop Colour: LAMINEX SPOTTED GUM NATURAL	Drawer slides: DTC SMOOTH		Carcass: WHITE HMR
Date: 07/02/25	Address: 275 LIBERTY PDE HEIDELBERG WEST	Handles Item No: LIP PULL BY BUILDER		Approved by:




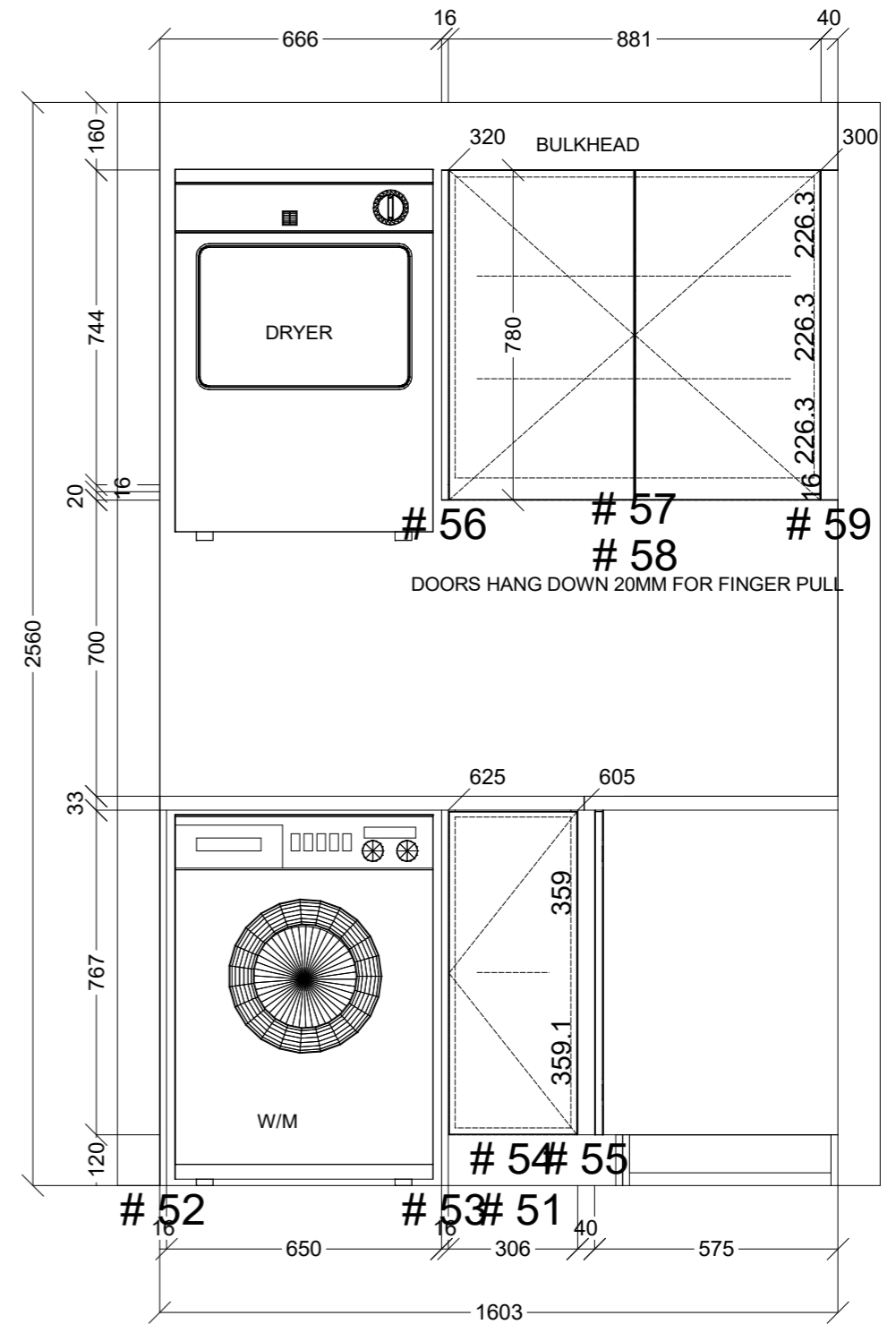
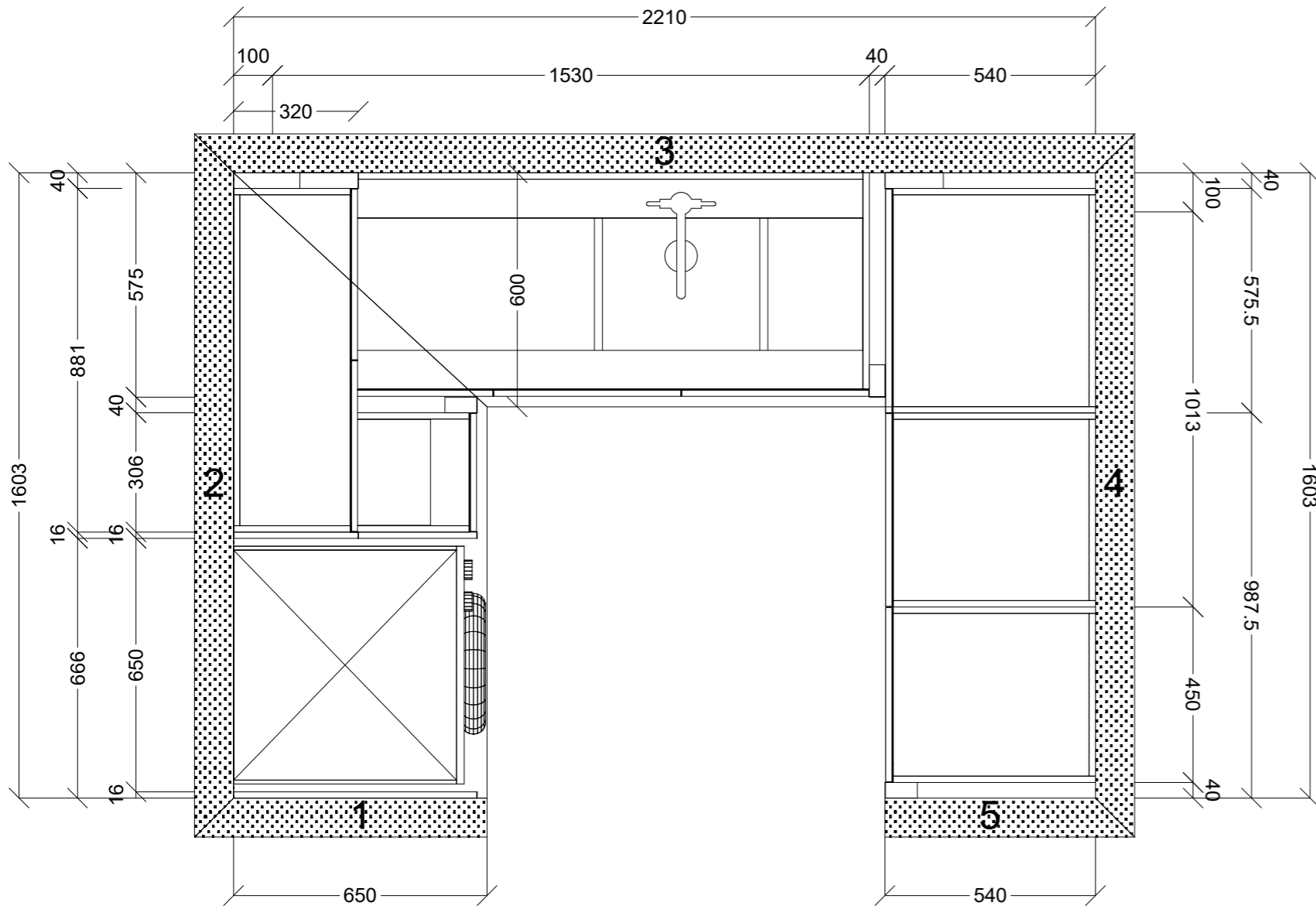
 CONNECT KITCHENS	Client: THE BUILDING AND CONSTRUCTION COMPANY		Door and panels style/colour: POLYTEC ALABASTER MATT		Sheet 5 of 10
	Room: KITCHEN	Benchtop Colour: LAMINEX SPOTTED GUM NATURAL		Drawer slides: DTC SMOOTH	Carcass: WHITE HMR
	Date: 07/02/25	Address: 275 LIBERTY PDE HEIDELBERG WEST		Handles Item No: LIP PULL BY BUILDER	Approved by:



 CONNECT KITCHENS	Client: THE BUILDING AND CONSTRUCTION COMPANY		Door and panels style/colour: WHITE HMR		Sheet 6 of 10
	Room: PANTRY	Benchtop Colour: N/A		Drawer slides: N/A	Carcass: WHITE HMR
	Date: 07/02/25	Address: 275 LIBERTY PDE HEIDELBERG WEST	Handles Item No: N/A		Approved by:




 CONNECT KITCHENS	Client: THE BUILDING AND CONSTRUCTION COMPANY		Door and panels style/colour: WHITE HMR		Sheet 7 of 10
	Room: PANTRY	Benchtop Colour: N/A		Drawer slides: N/A	Carcass: WHITE HMR
	Date: 07/02/25	Address: 275 LIBERTY PDE HEIDELBERG WEST	Handles Item No: N/A		Approved by:



	Client: THE BUILDING AND CONSTRUCTION COMPANY		Door and panels style/colour: POLYTEC ALABASTER MATT		Sheet 8 of 10
	Room: LAUNDRY	Benchtop Colour: LAMINEX SPOTTED GUM NATURAL		Drawer slides: N/A	Carcass: WHITE HMR
	Date: 07/02/25	Address: 275 LIBERTY PDE HEIDELBERG WEST	Handles Item No: LIP PULL BY BUILDER		Approved by:



 CONNECT KITCHENS	Client: THE BUILDING AND CONSTRUCTION COMPANY		Door and panels style/colour: POLYTEC ALABASTER MATT		Sheet 10 of 10
	Room: LAUNDRY	Benchtop Colour: LAMINEX SPOTTED GUM NATURAL		Drawer slides: N/A	Carcass: WHITE HMR
	Date: 07/02/25	Address: 275 LIBERTY PDE HEIDELBERG WEST		Handles Item No: LIP PULL BY BUILDER	Approved by: