



**AI** FIREPLACE DOOR REPLACEMENT  
Scale: NTS



BEDROOM DOOR REPLACEMENT **AI**  
Scale: NTS

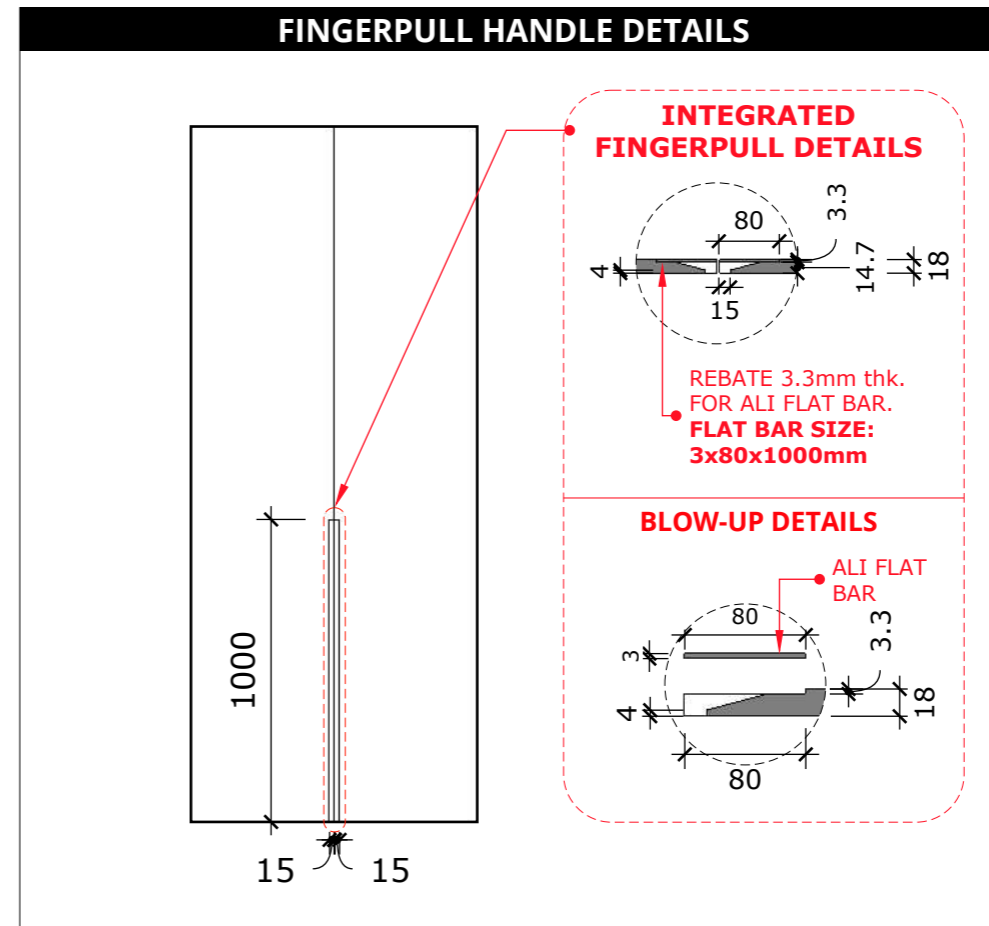
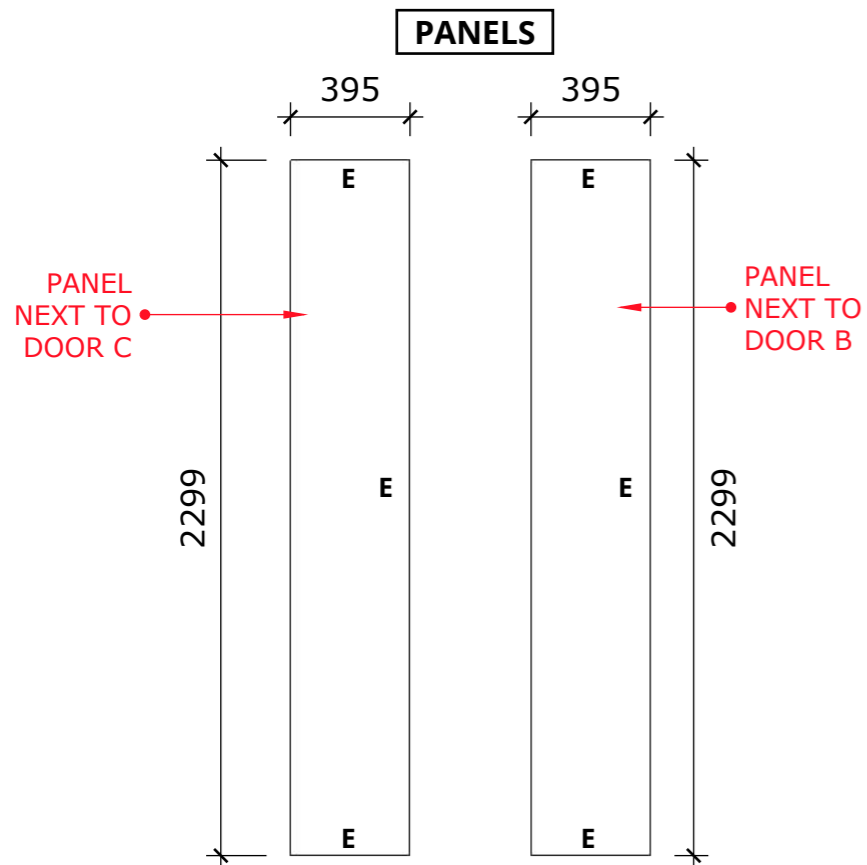
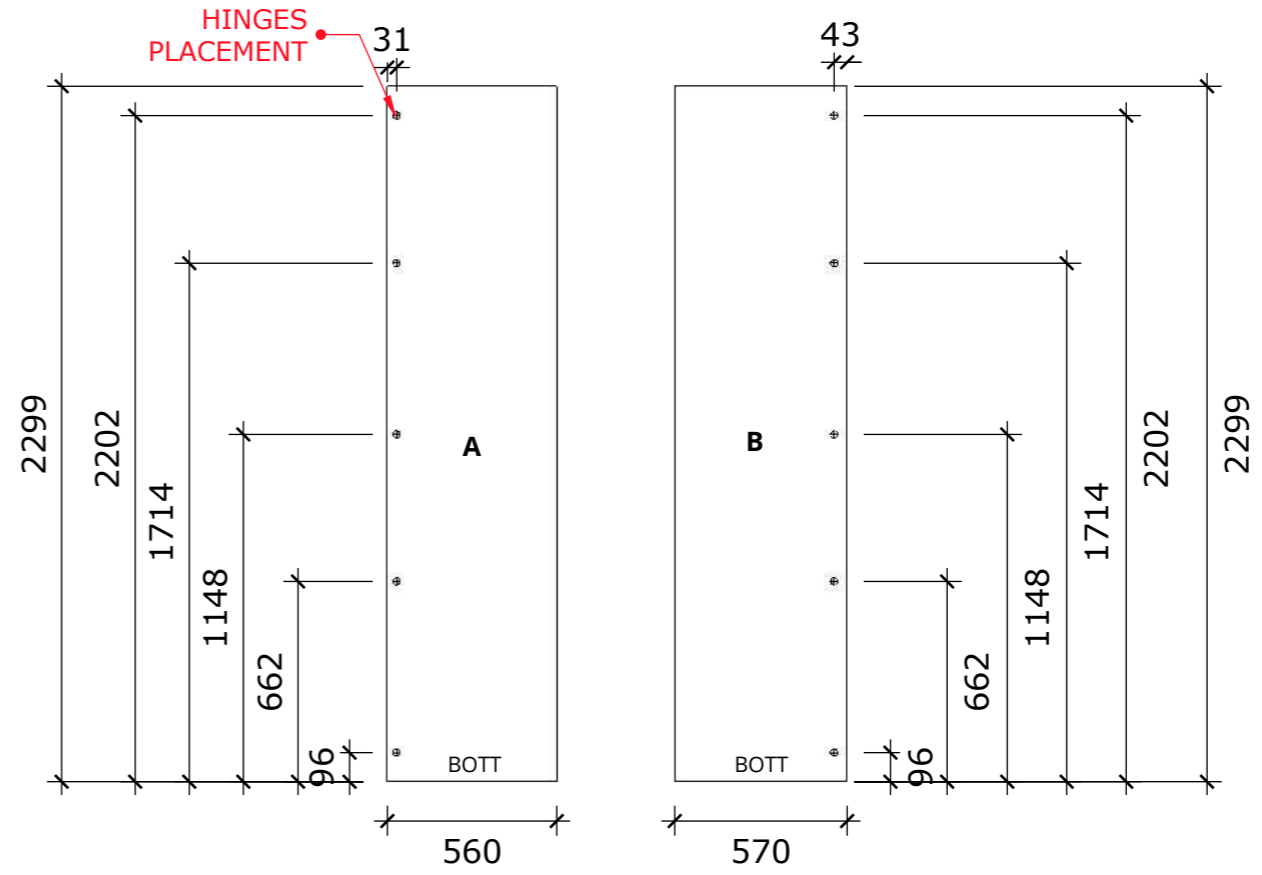
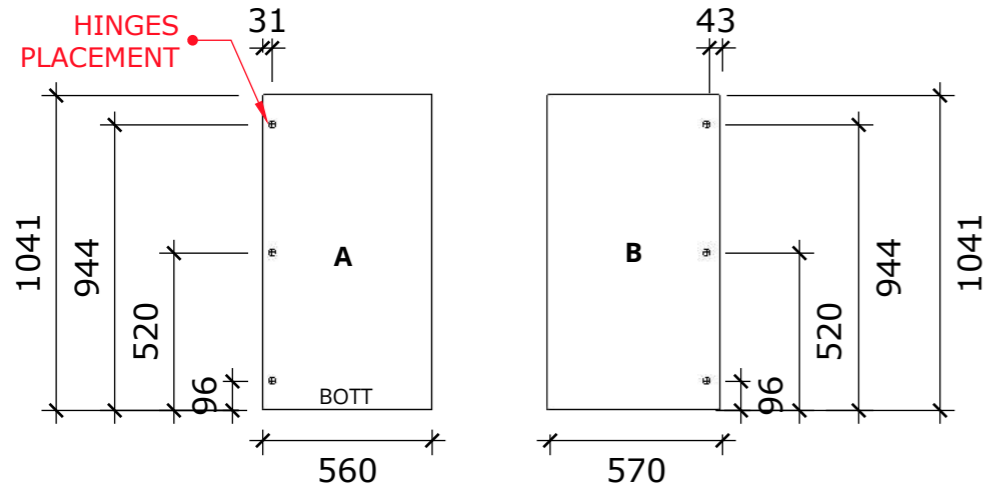
DESIGNED BY  
**SHAI ZEEV**  
ABN: 47 640 715 279  
6b Larman St, Bentleigh East 3165  
Mob: 0407004576  
E-mail: sales@thecabinetmerchant.com.au

PROJECT TITLE  
**STUDY DESK**

CLIENT ADDRESS

CLIENT NAME

# BEDROOM 2 DOOR REPLACEMENTS



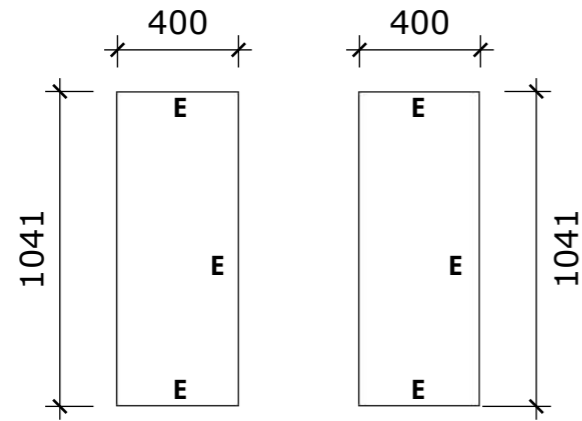
DESIGNED BY  
SHAI ZEEV  
ABN: 47 640 715 279  
6b Larman St, Bentleigh East 3165  
Mob: 0407004576  
E-mail: sales@thecabinetmerchant.com.au

PROJECT TITLE  
STUDY DESK

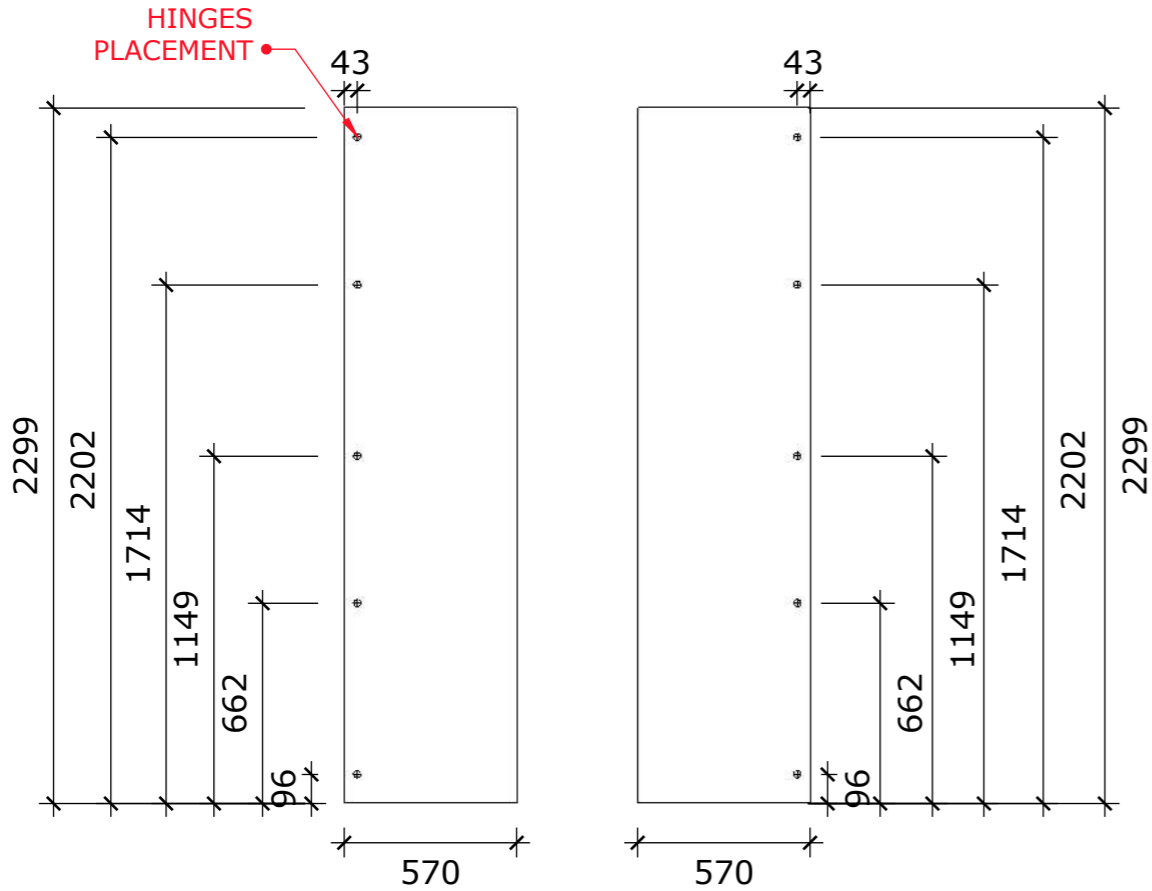
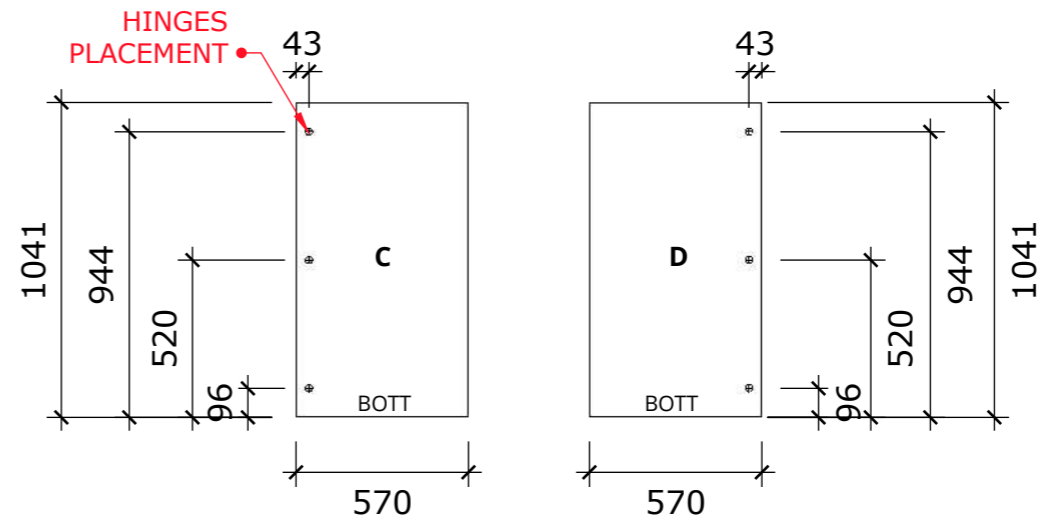
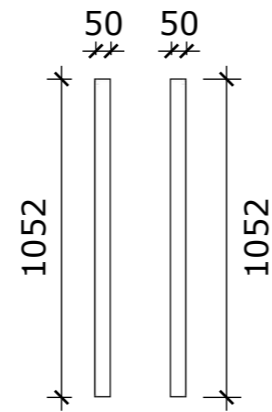
CLIENT ADDRESS

CLIENT NAME

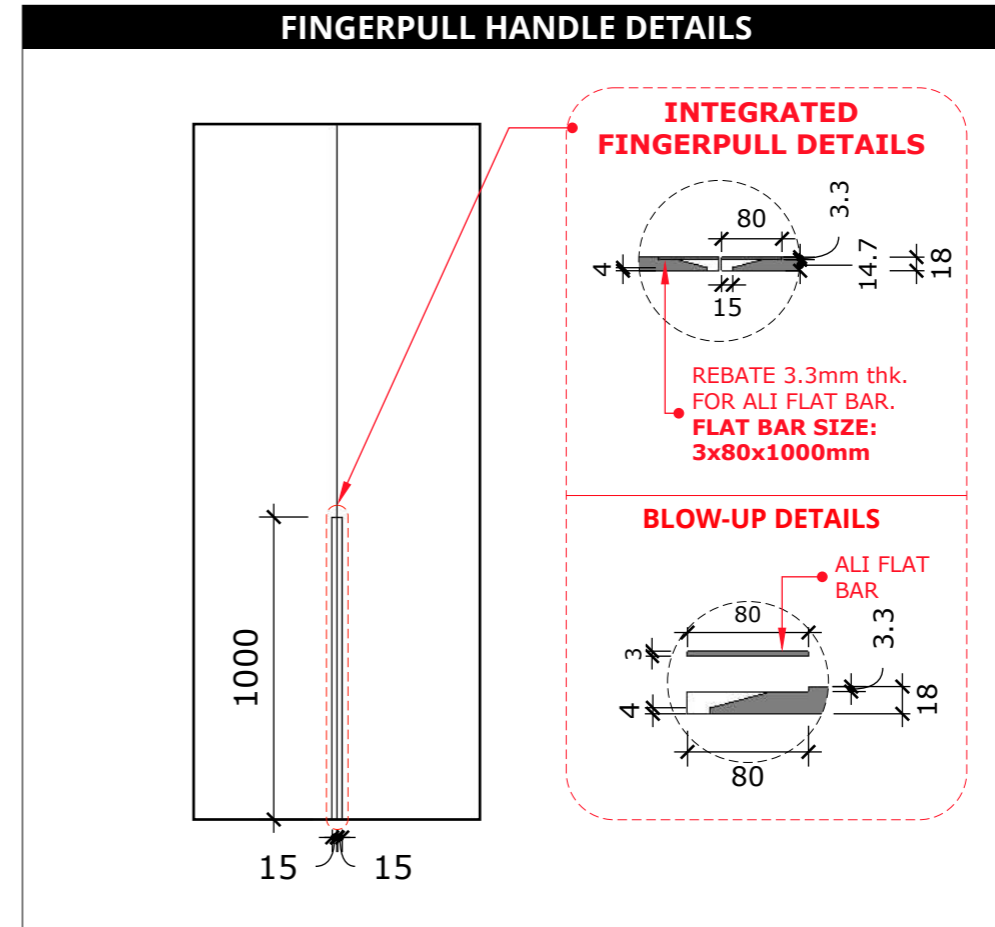
### PANELS



### FILLERS



### FINGERPULL HANDLE DETAILS



DESIGNED BY  
SHAI ZEEV  
ABN: 47 640 715 279  
6b Larman St, Bentleigh East 3165  
Mob: 0407004576  
E-mail: sales@thecabinetmerchant.com.au

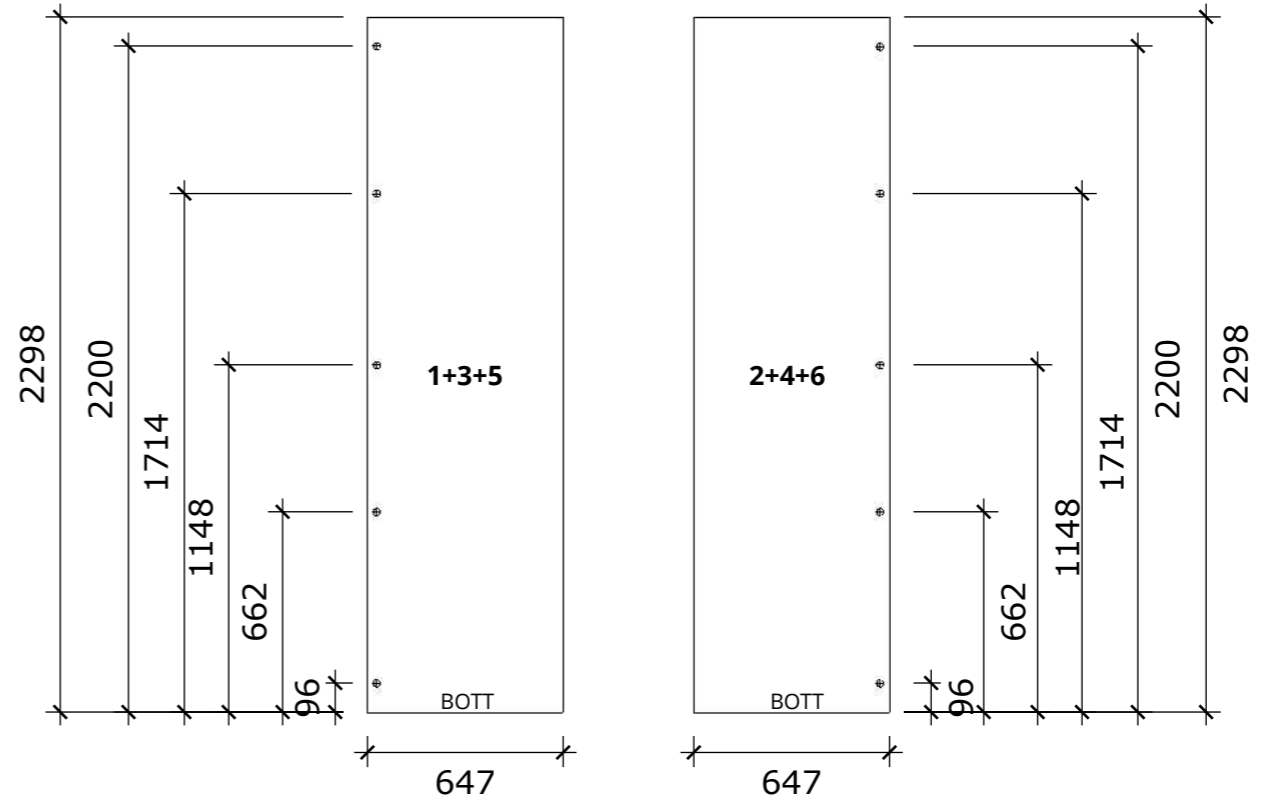
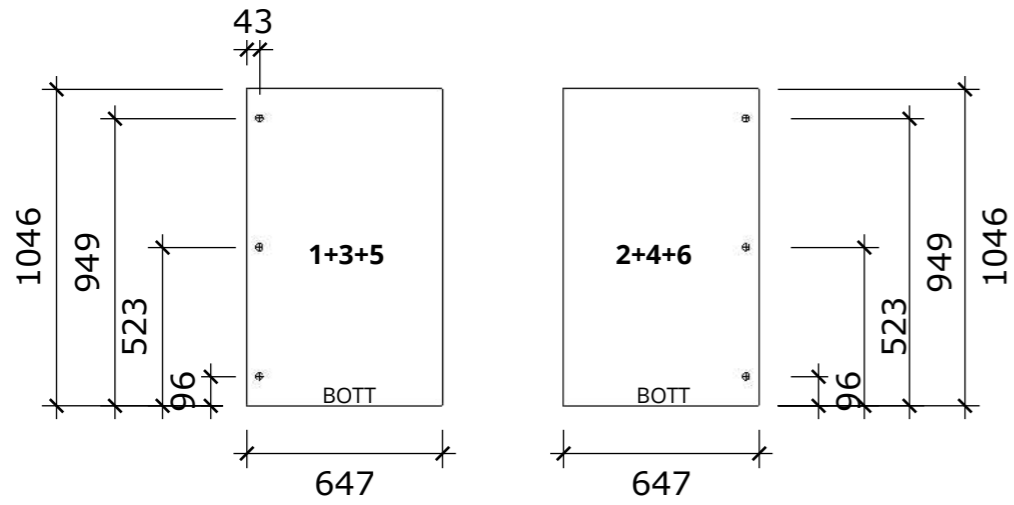
PROJECT TITLE  
STUDY DESK

CLIENT ADDRESS

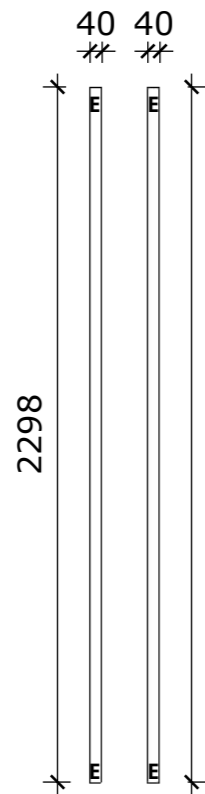
CLIENT NAME

# BEDROOM 3 ROBE DOOR REPLACEMENTS

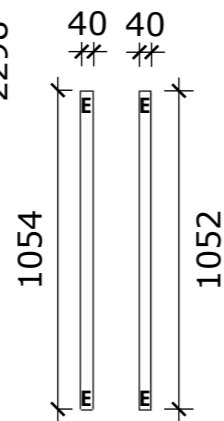
note: standard hinge drilling



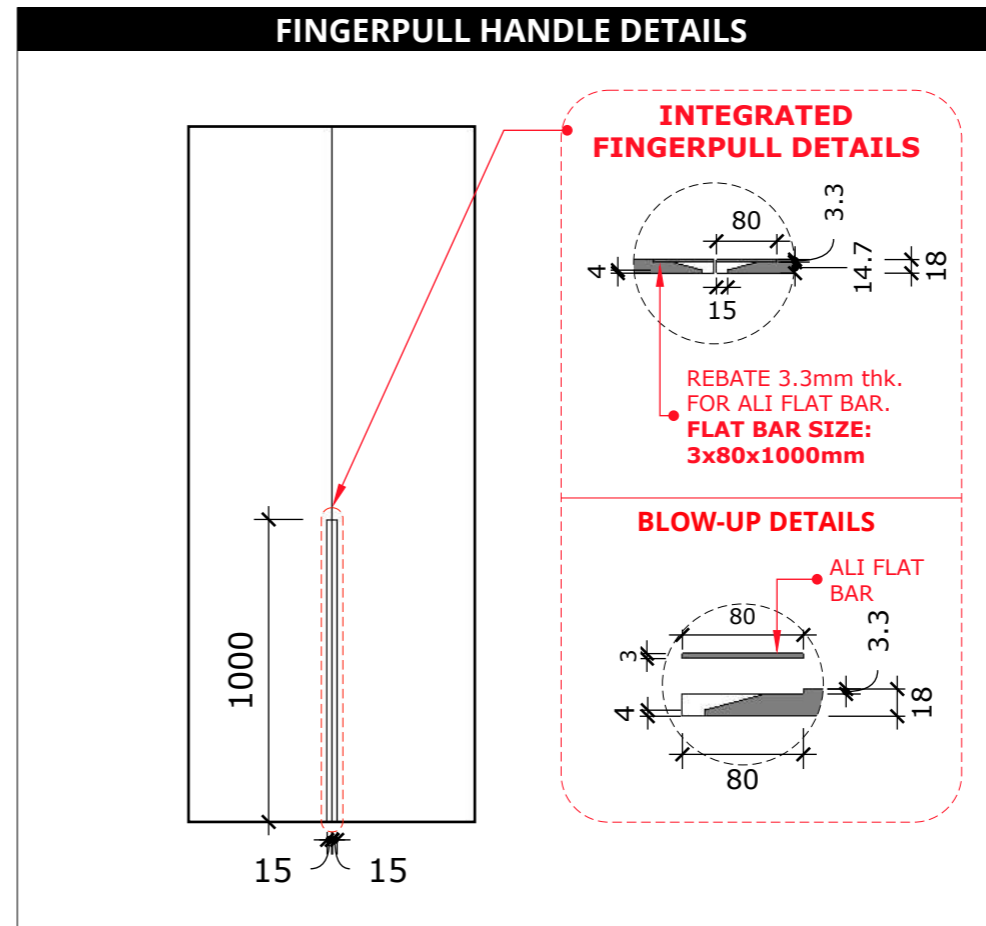
## FILLERS



## FILLERS



## FINGERPULL HANDLE DETAILS



DESIGNED BY  
SHAI ZEEV  
ABN: 47 640 715 279  
6b Larman St, Bentleigh East 3165  
Mob: 0407004576  
E-mail: sales@thecabinetmerchant.com.au

PROJECT TITLE  
STUDY DESK

CLIENT ADDRESS

CLIENT NAME