

Wed 9.4.25

Date Approved  
Date Drawings  
Customer Name

New cabinet for R/Hood Recirculating

Delivery Date: Ryan  
Installation Date: Kitchen Reface

Address

Phone:

Fax:

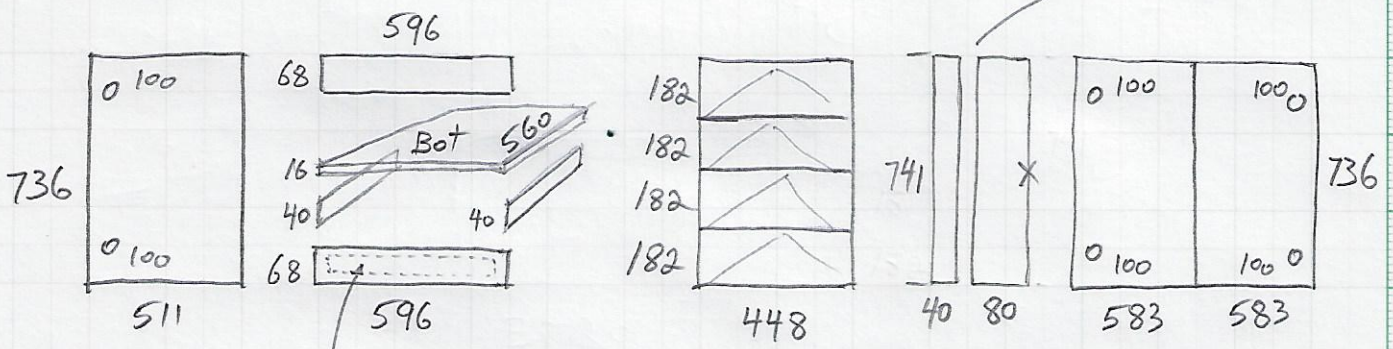
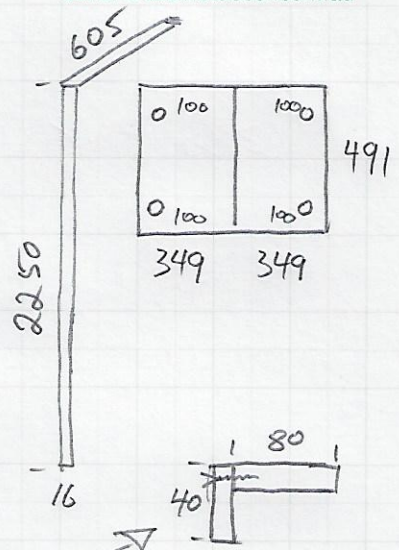
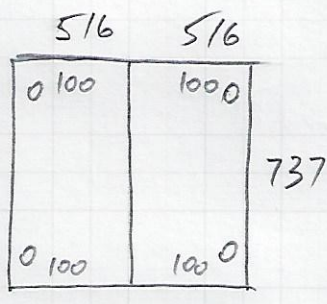
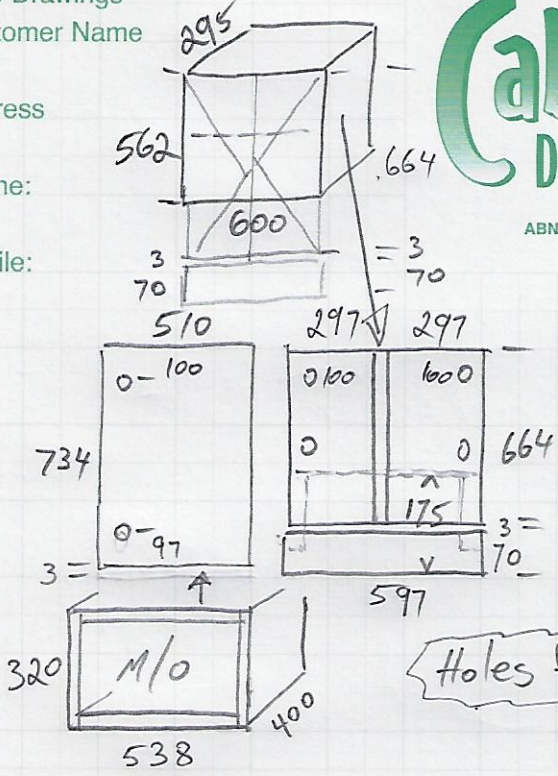
Mobile:

# Cabinet DECOR

PTY LTD

ABN 47 672 961 493

~~56 Cubitt Street~~  
~~Richmond VIC 3121~~  
Telephone: (03) 9428 6967  
Facsimile: (03) 9428 9425  
asher@cabinetdecor.com.au



Dotted line = build up behind panel

Doors Polytec Polar White Matt 16 24 12

