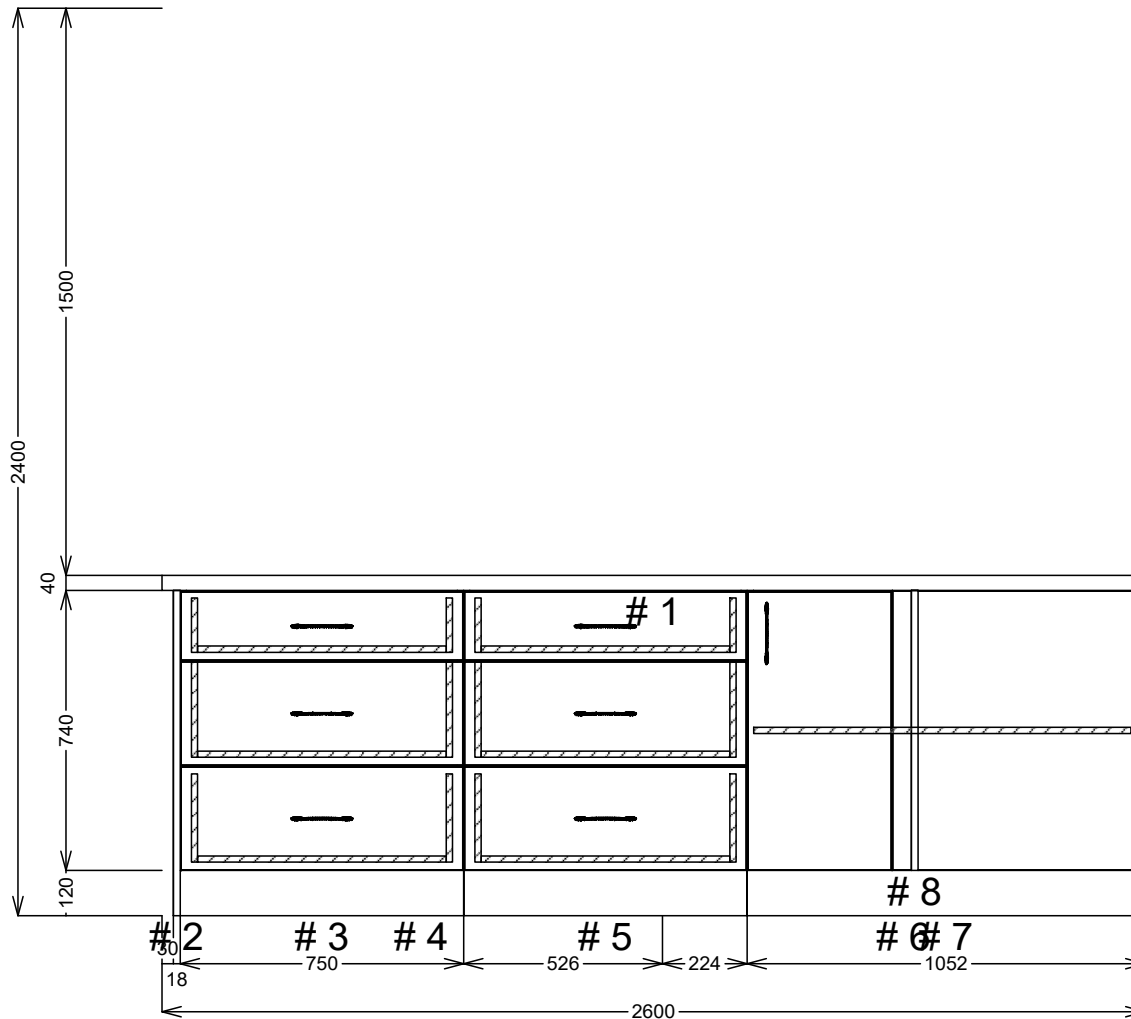
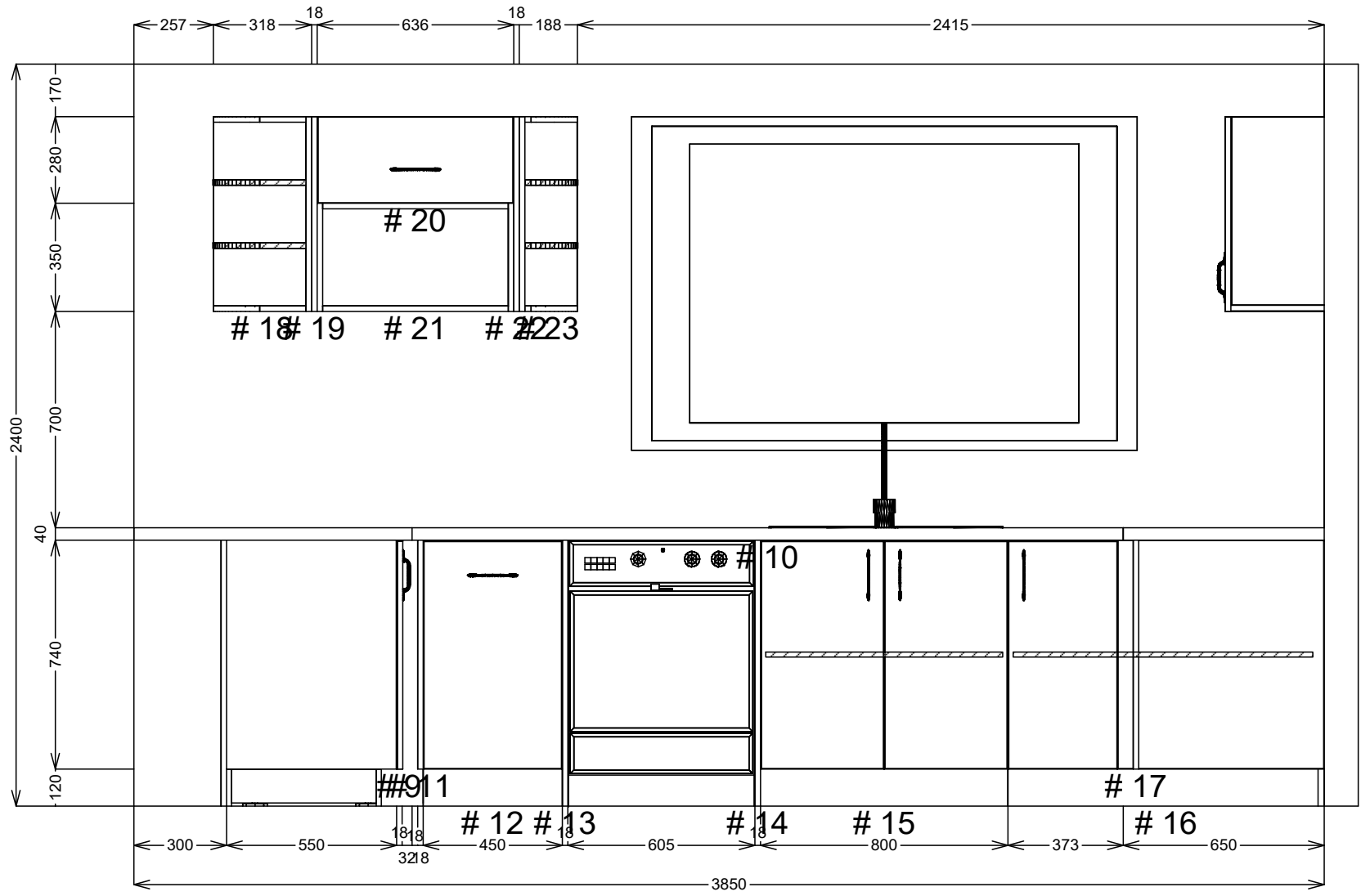


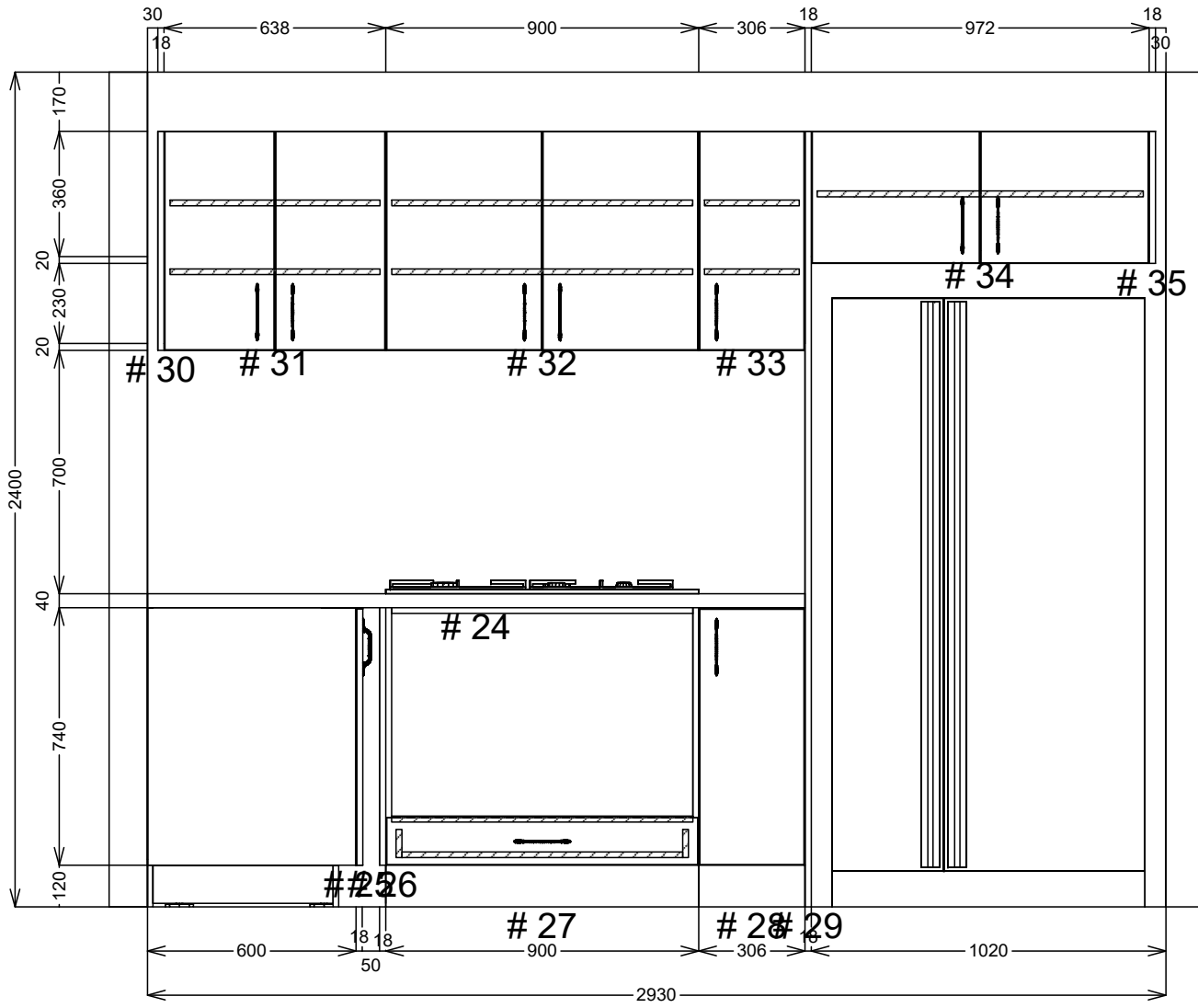
<b>SJ Custom Kitchens</b>	Phone: 0432 101 986	Job #: Job	Site Contact: Stacey	Date: 10/04/25
	Email: sjcustomkitchens@hotmail.com	Job Name: Default	Site Phone:	Drawn By:
	Web: www.sjcustomkitchens.com	Room #:	Site Address: 6 Prion Close	Drawing #: 1
		Room Name:	City: Blind Bight State: Victoria.	Scale: NTS



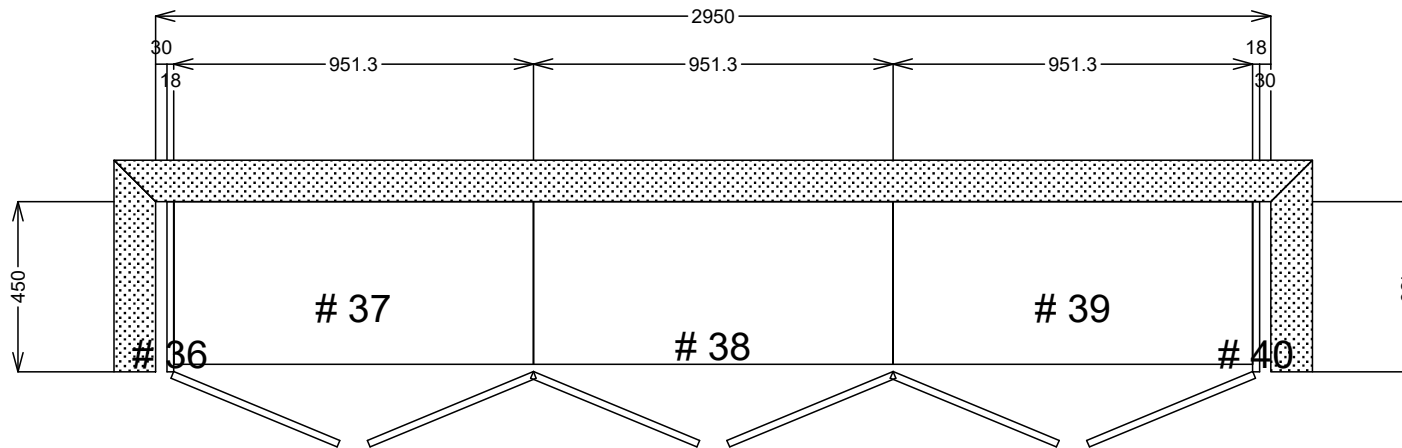
<b>SJ Custom Kitchens</b>	Phone: 0432 101 986	Job #: Job	Site Contact: Stacey	Date: 10/04/25
	Email: sjcustomkitchens@hotmail.com	Job Name: Default	Site Phone:	Drawn By:
	Web: www.sjcustomkitchens.com	Room #:	Site Address: 6 Prion Close	Drawing #: 2
		Room Name:	City: Blind Bight State: Victoria.	Scale: NTS



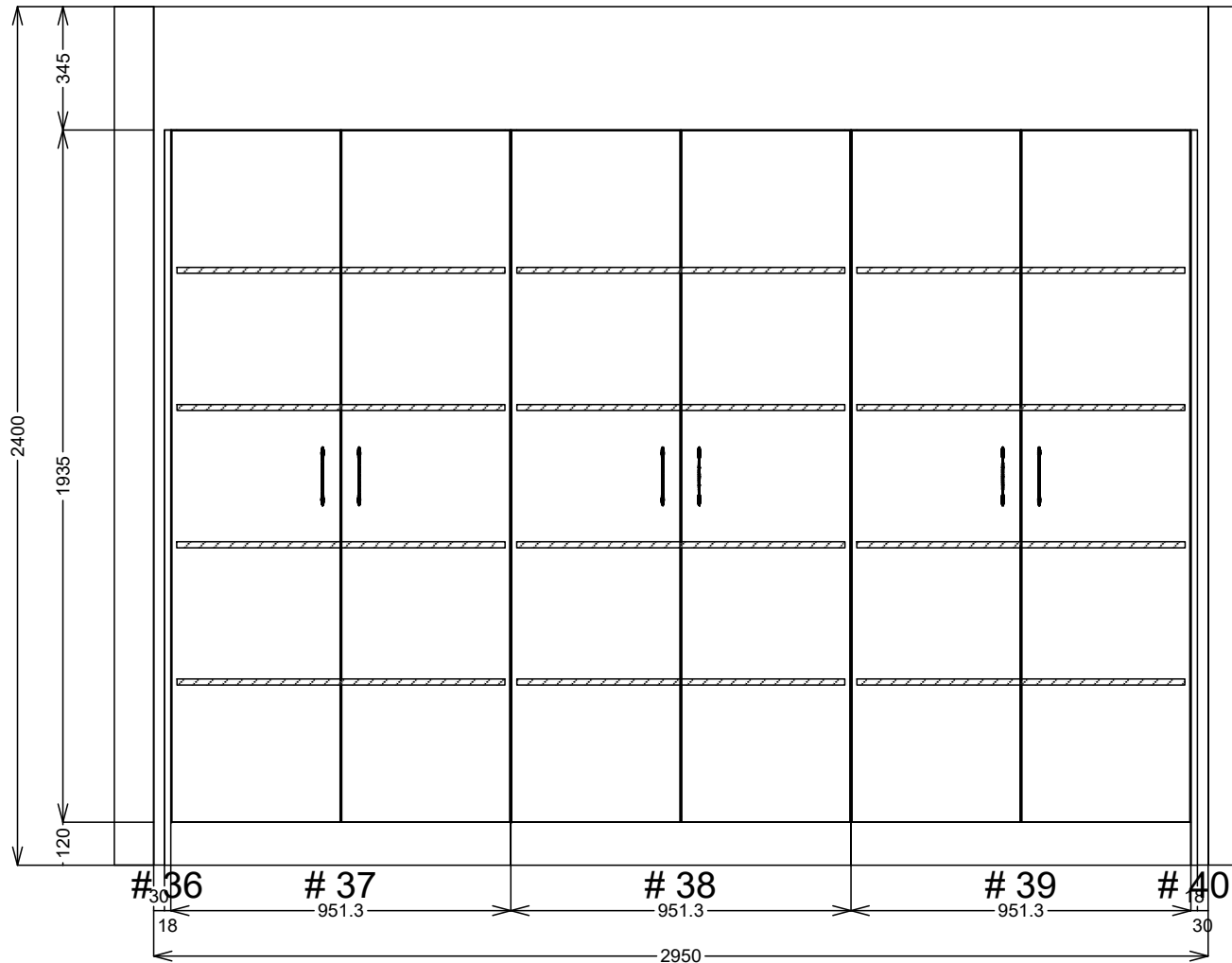
<b>SJ Custom Kitchens</b>	Phone: 0432 101 986	Job #: Job	Site Contact: Stacey	Date: 10/04/25
	Email: sjcustomkitchens@hotmail.com	Job Name: Default	Site Phone:	Drawn By:
	Web: www.sjcustomkitchens.com	Room #:	Site Address: 6 Prion Close	Drawing #: 3
		Room Name:	City: Blind Bight State: Victoria.	Scale: NTS



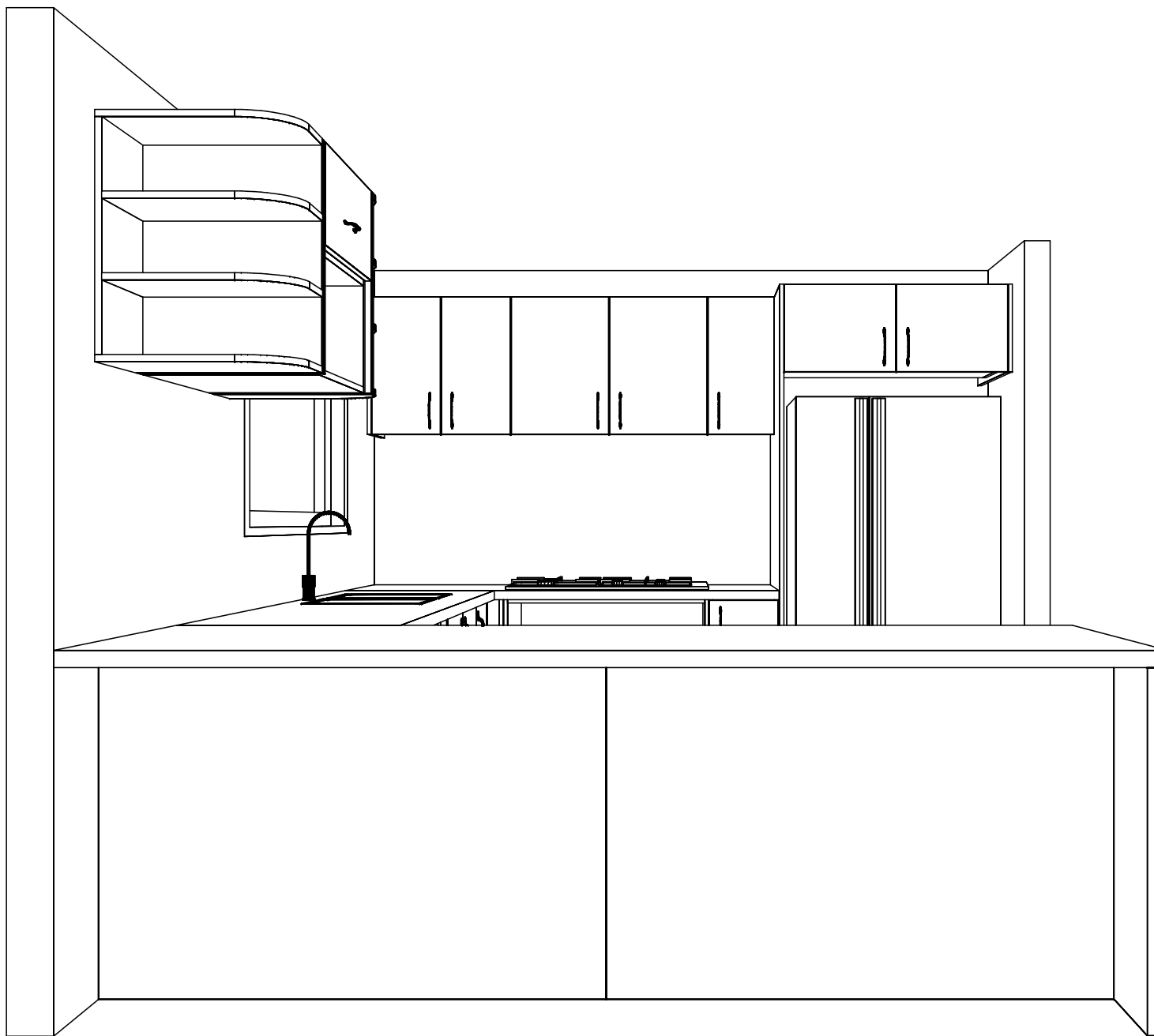
<b>SJ Custom Kitchens</b>	Phone: 0432 101 986	Job #: Job	Site Contact: Stacey	Date: 10/04/25
	Email: sjcustomkitchens@hotmail.com	Job Name: Default	Site Phone:	Drawn By:
	Web: www.sjcustomkitchens.com	Room #:	Site Address: 6 Prion Close	Drawing #: 4
		Room Name:	City: Blind Bight State: Victoria.	Scale: NTS



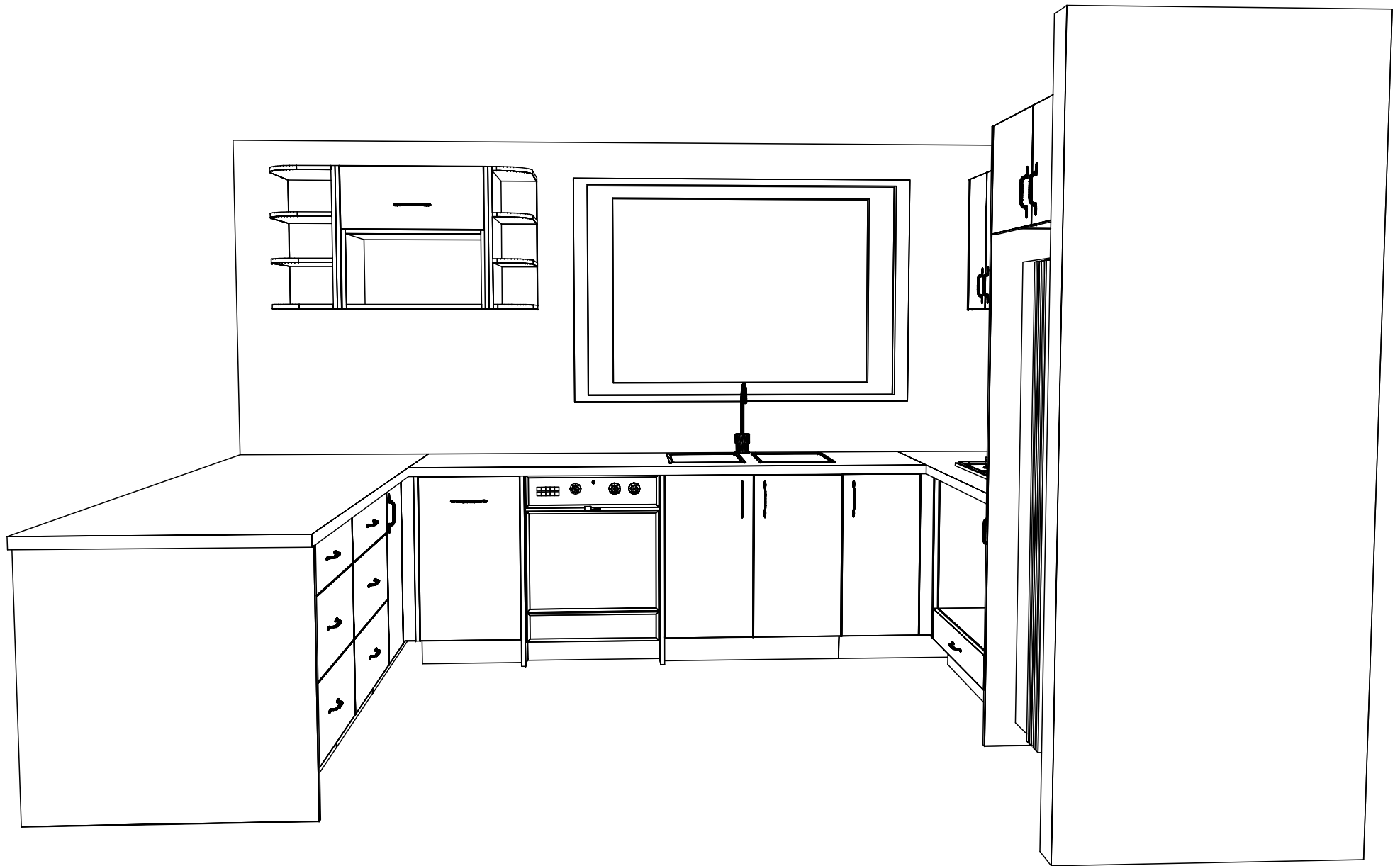
<b>SJ Custom Kitchens</b>	Phone: 0432 101 986	Job #: Job	Site Contact: Stacey	Date: 10/04/25
	Email: sjcustomkitchens@hotmail.com	Job Name: Default	Site Phone:	Drawn By:
	Web: www.sjcustomkitchens.com	Room #:	Site Address: 6 Prion Close	Drawing #: 5
		Room Name:	City: Blind Bight State: Victoria.	Scale: NTS



<b>SJ Custom Kitchens</b>	Phone: 0432 101 986	Job #: Job	Site Contact: Stacey	Date: 10/04/25
	Email: sjcustomkitchens@hotmail.com	Job Name: Default	Site Phone:	Drawn By:
	Web: www.sjcustomkitchens.com	Room #:	Site Address: 6 Prion Close	Drawing #: 6
		Room Name:	City: Blind Bight State: Victoria.	Scale: NTS



<b>SJ Custom Kitchens</b>	Phone: 0432 101 986	Job #: Job	Site Contact: Stacey	Date: 10/04/25
	Email: <a href="mailto:sjcustomkitchens@hotmail.com">sjcustomkitchens@hotmail.com</a>	Job Name: Default	Site Phone:	Drawn By:
	Web: <a href="http://www.sjcustomkitchens.com">www.sjcustomkitchens.com</a>	Room #:	Site Address: 6 Prion Close	Drawing #: 7
		Room Name:	City: Blind Bight State: Victoria.	Scale: NTS



Phone: 0432 101 986

Job #: Job

Site Contact: Stacey

Date: 10/04/25

Email: [sjcustomkitchens@hotmail.com](mailto:sjcustomkitchens@hotmail.com)

Job Name: Default

Site Phone:

Drawn By:

Web: [www.sjcustomkitchens.com](http://www.sjcustomkitchens.com)

Room #:

Site Address: 6 Prion Close

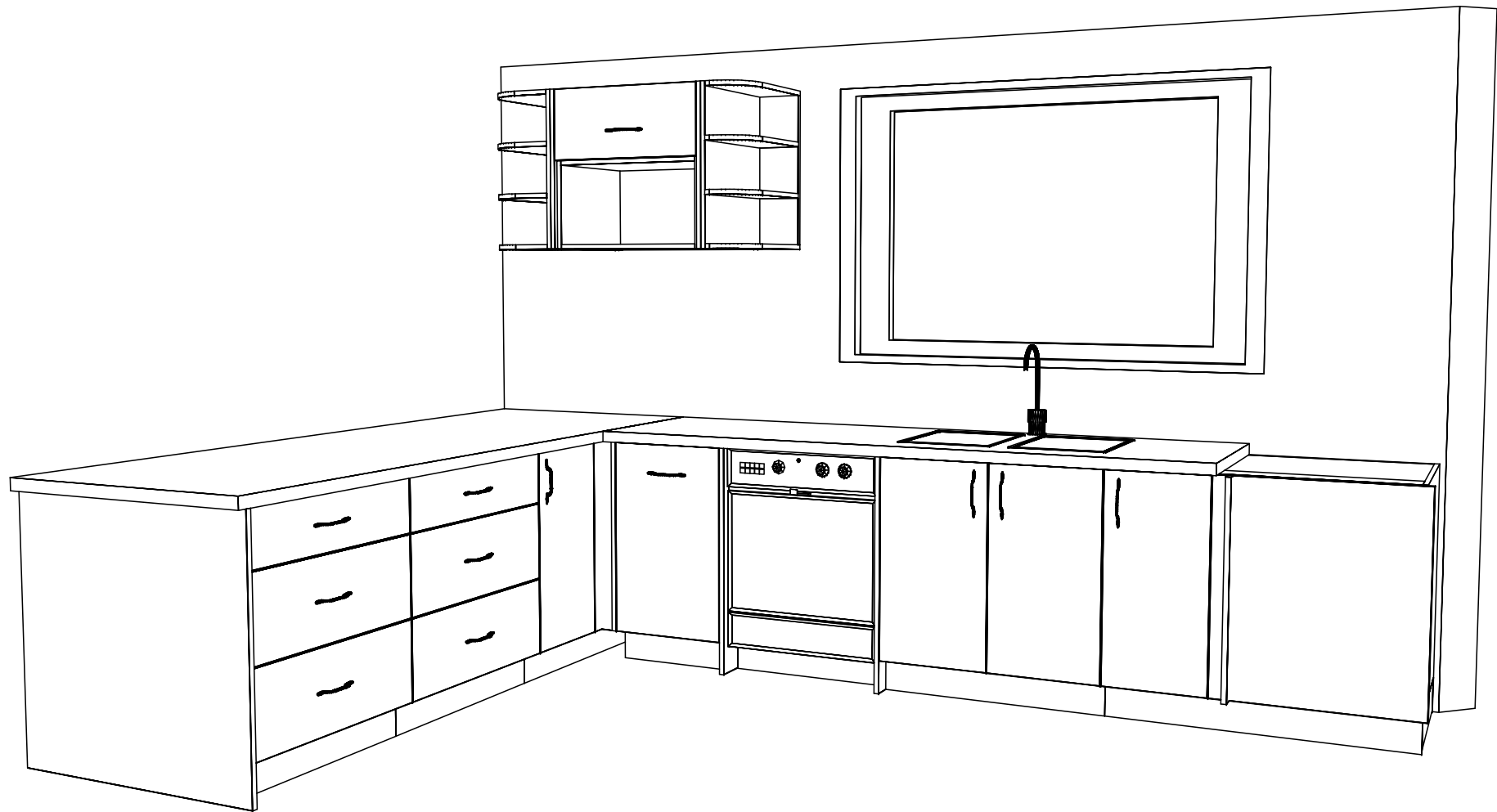
Drawing #: 8

Room Name:

City: Blind Bight State: Victoria.

Scale: NTS

**SJ Custom Kitchens**



Phone: 0432 101 986

Job #: Job

Site Contact: Stacey

Date: 10/04/25

Email: [sjcustomkitchens@hotmail.com](mailto:sjcustomkitchens@hotmail.com)

Job Name: Default

Site Phone:

Drawn By:

Web: [www.sjcustomkitchens.com](http://www.sjcustomkitchens.com)

Room #:

Site Address: 6 Prion Close

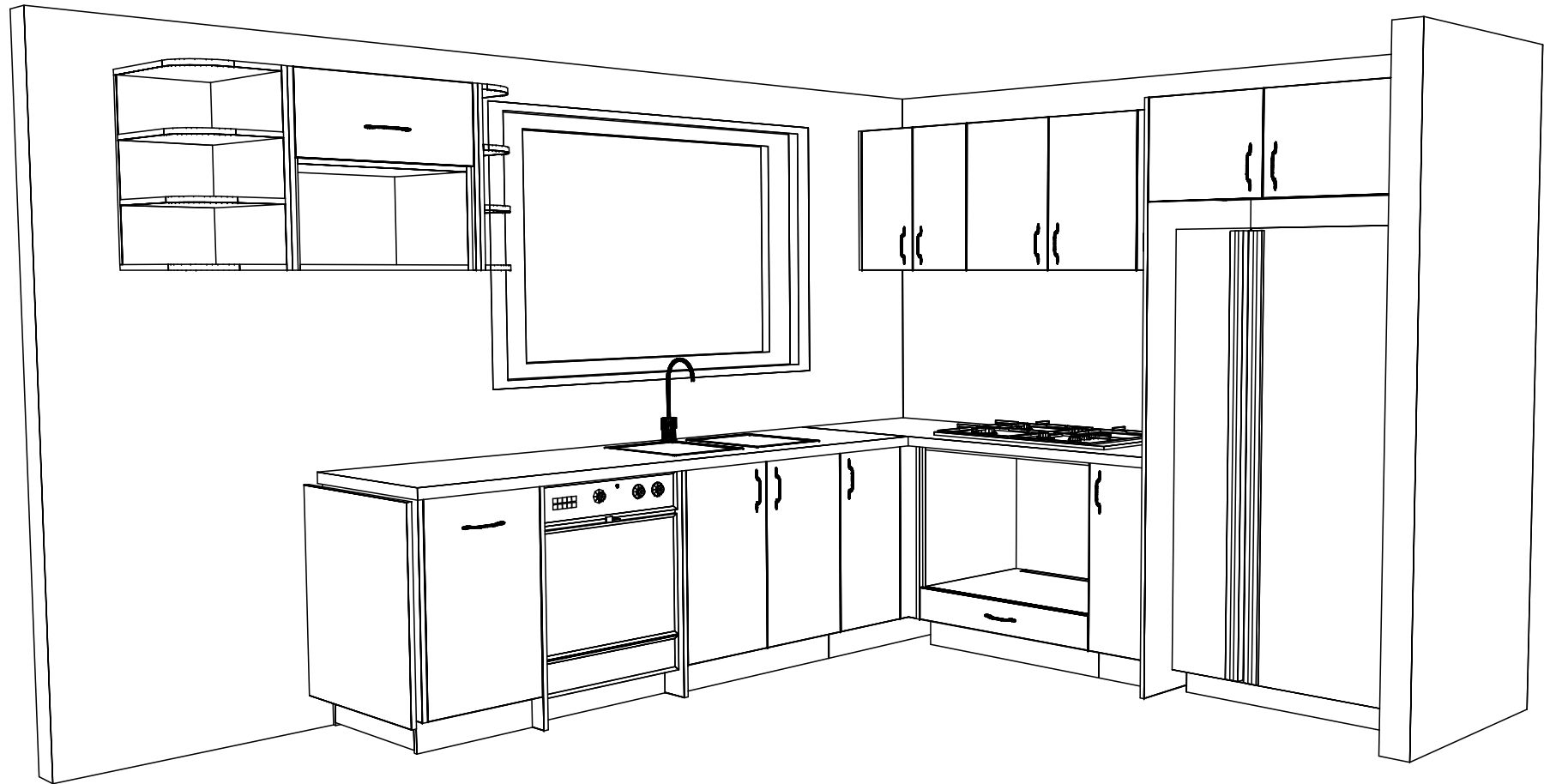
Drawing #: 9

Room Name:

City: Blind Bight State: Victoria.

Scale: NTS

**SJ Custom Kitchens**



Phone: 0432 101 986

Job #: Job

Site Contact: Stacey

Date: 10/04/25

Email: [sjcustomkitchens@hotmail.com](mailto:sjcustomkitchens@hotmail.com)

Job Name: Default

Site Phone:

Drawn By:

Web: [www.sjcustomkitchens.com](http://www.sjcustomkitchens.com)

Room #:

Site Address: 6 Prion Close

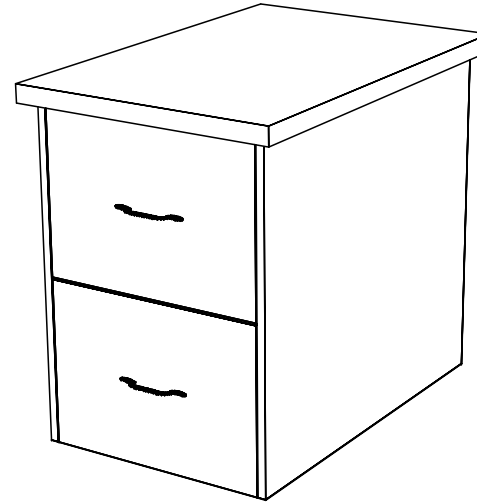
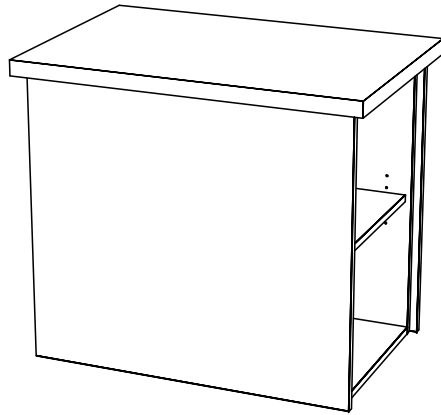
Drawing #: 10

Room Name:

City: Blind Bight State: Victoria.

Scale: NTS

**SJ Custom Kitchens**



<b>SJ Custom Kitchens</b>	Phone: 0432 101 986	Job #: Job	Site Contact: Stacey	Date: 10/04/25
	Email: sjcustomkitchens@hotmail.com	Job Name: Default	Site Phone:	Drawn By:
	Web: www.sjcustomkitchens.com	Room #:	Site Address: 6 Prion Close	Drawing #: 11
		Room Name:	City: Blind Bight State: Victoria.	Scale: NTS